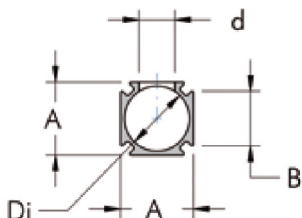


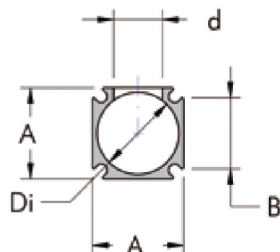


AP: Profiles section over view

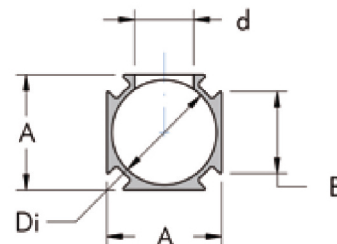
AP22



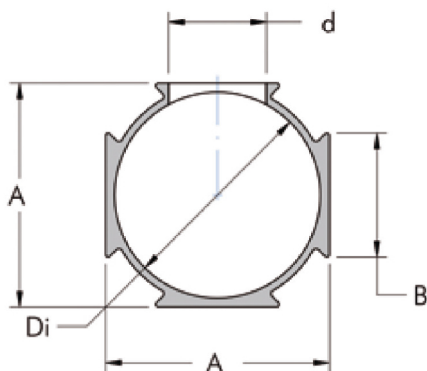
AP28



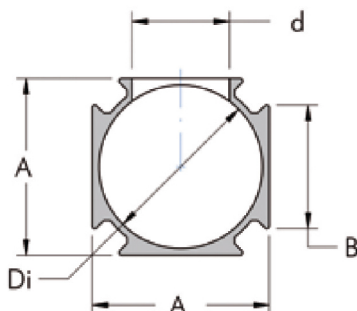
AP36



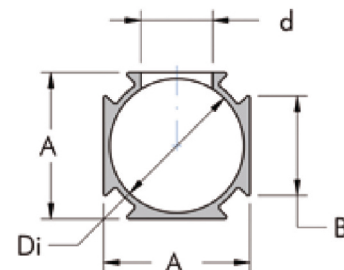
AP68



AP54



AP45



Size Dimensions

Name	Dimensions			Max hole d mm	Weight P g/m	Moment of inertia		Inner volume V l/m
	Di mm	A mm	B mm			Jx cm ⁴	Jy cm ⁴	
AP22	20	22,4	16,4	11	370	0,90	0,90	0,32
AP28	25	28	21,5	15	590	2,20	2,20	0,5
AP36	32	36	25	18	780	4,60	4,60	0,8
AP45	40	45	31	22	1170	11,00	11,00	1,3
AP54	50	55	38	30	1690	23,70	23,70	2
AP68	63	69	38	30	2080	44,10	44,10	3,1



Technical characteristics

Extruded Aluminium	Alloy EN AW 6060 UNI EN 573-3:1996
International designations.....	ANSI 6060 - DIN 1748/1: AIMgSi 0,5 BS 6060
Chemical composition	Si: 0,45% - Mg: 0,45% - Fe: 0,3%
Heat treatment	Aging T5 o T6
Surface treatment (upon request).....	Chemical silver anodization
Specific weight, density.....	Kg/dm³ 2,71
Electrical conductivity.....	% IACS 53
Thermal Conductivity.....	W/m.K 200
Specific heat	J/Kg.K 96
Coefficient of expansion.....	mm/m °C 0,024
Tensile strength.....	Kg/mm² 24
Yield strength.....	Kg/mm² 20
Modulus of elasticity	Kg/mm² 6.700
Brinell hardness	HB 70÷80
Melting range	°C 600-650
O-ring material	NBR 70
Operating temperature	°C -20/+120
Screw material	Steel Class 8.8
M5 Screw driving torque.....	10 N·m (90 Inch·Lbs) ± 10%
M6 Screw driving torque.....	14 N·m (120 Inch·Lbs) ± 10%
Outlet thread	BSP or NPT
Terminal thread	BSP or NPT
Max operating pressure.....	15 bar - 1,5 MPa - 217 psi
Powering multifluid, max operating pressure.....	25 bar - 2,5 MPa - 362 psi
Failure test pressure	80 bar - 8 MPa - 1160 psi

Compatibility with fluids

Compressed air, Vacuum, Argon, Nitrogen, Carbon dioxide, Mineral oil*, Synthetic oil*, Other fluids*