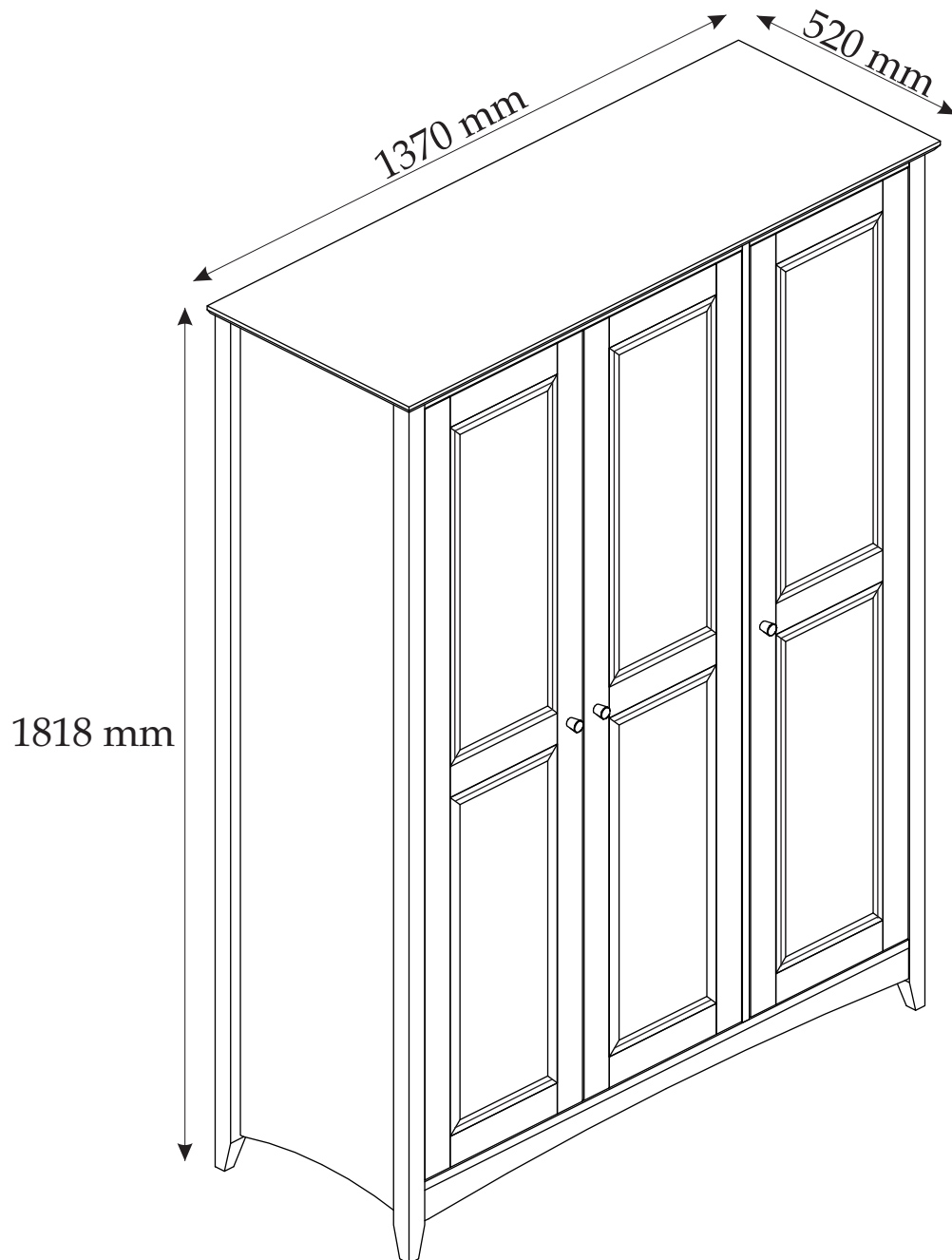
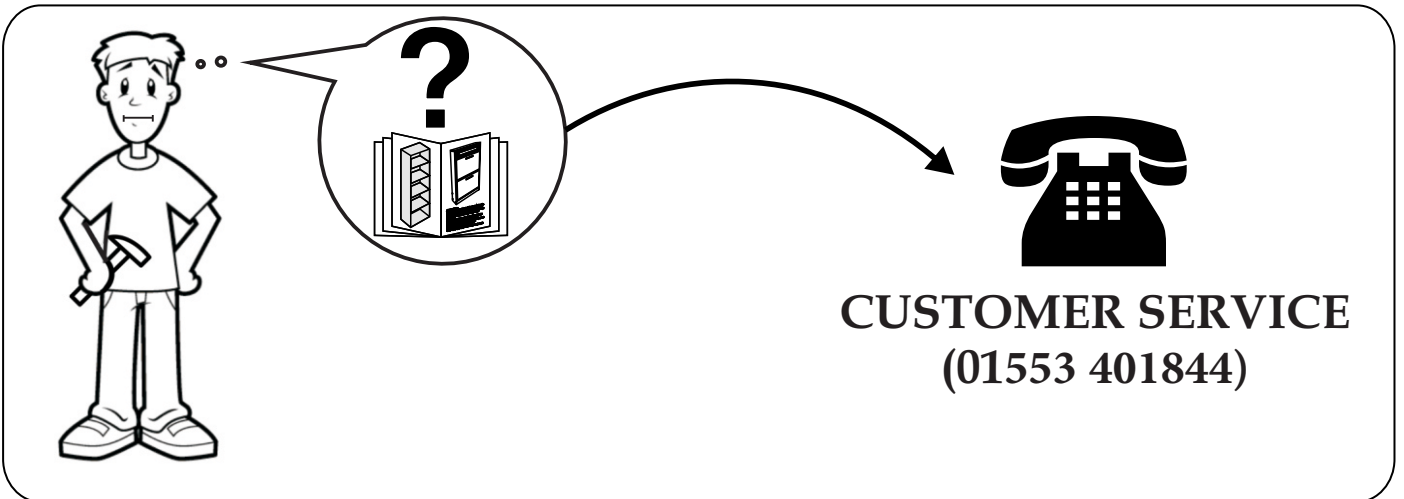
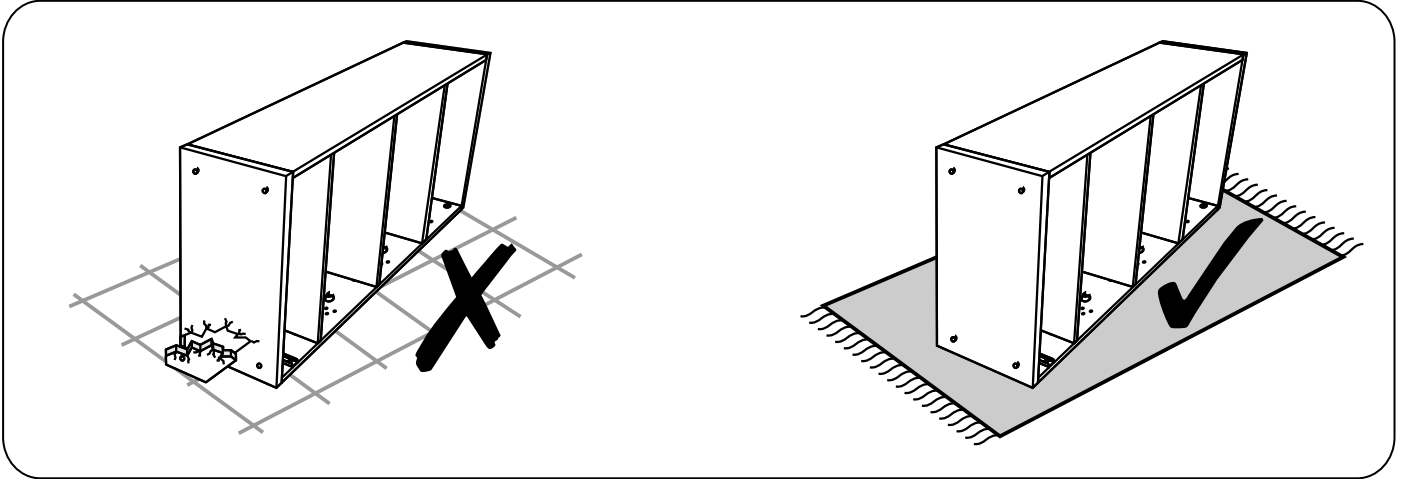
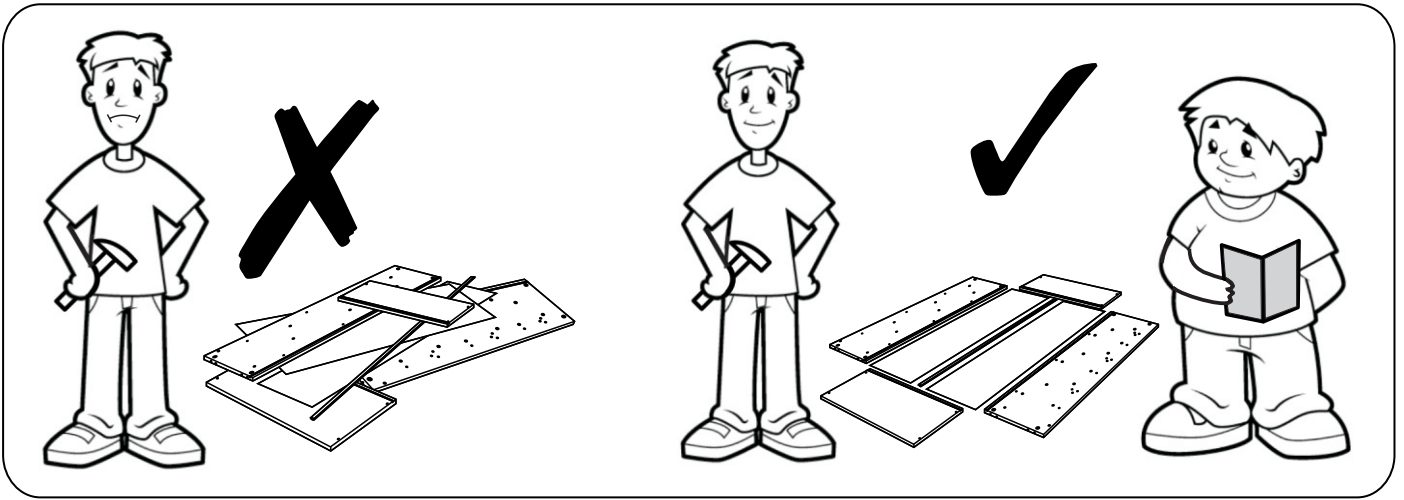
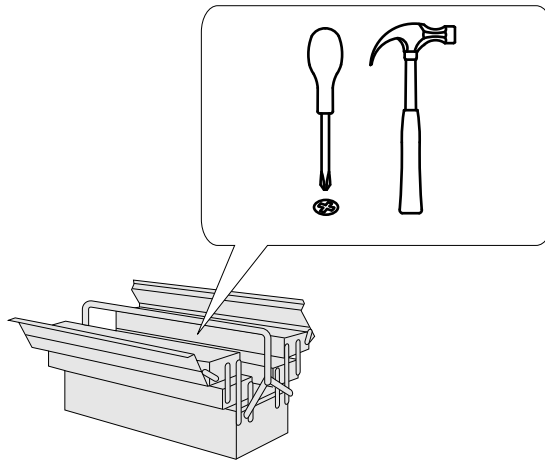
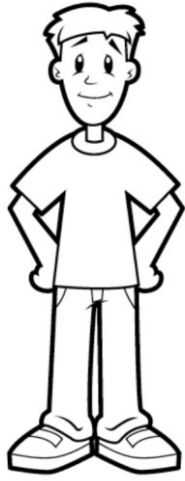


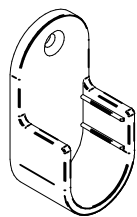
3 Door Wardrobe

Assembly Instructions





HARDWARE



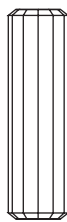
A

23x47 mm
2x



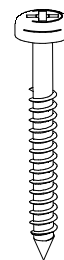
B

3,5x14 mm
52x



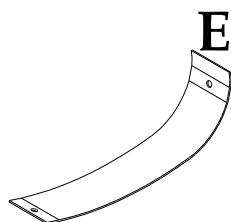
C

8x30 mm
48x



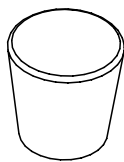
D

3,5x30 mm
20x



E

150 mm
2x



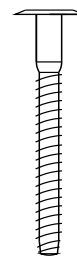
F

3x



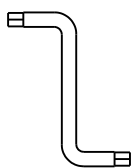
G

10x7 mm
54x



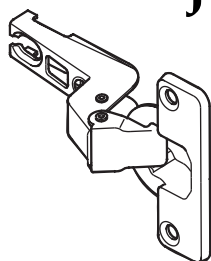
H

7x50 mm
9x



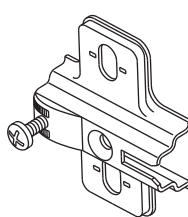
I

40x40 mm
1x



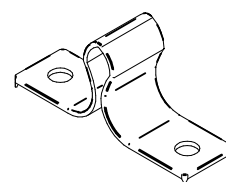
J

9x



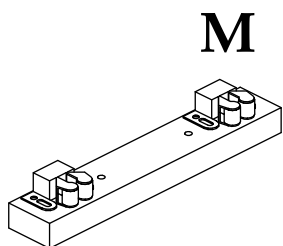
K

9x



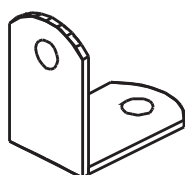
L

34x15 mm
6x



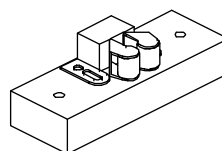
M

2x



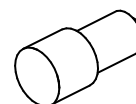
N

15x22 mm
1x



O

2x



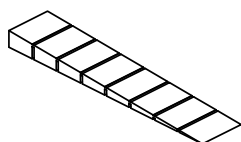
P

12x



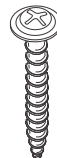
Q

3,5x12 mm
4x



R

80x20 mm
2x



S

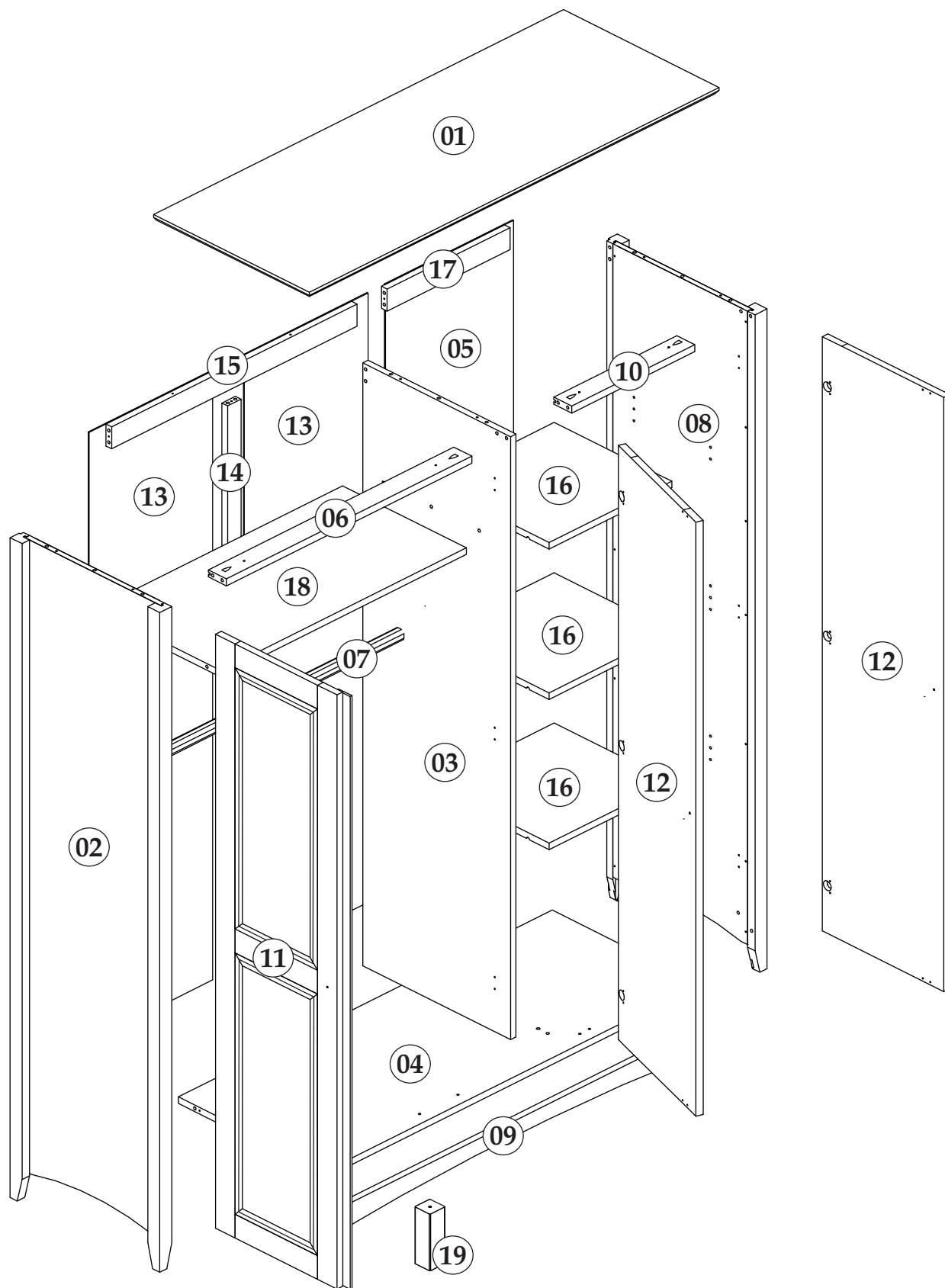
3,5x25 mm
13x



T

4x35 mm
3x

PARTS



Safety Advice

Please take the time to carefully read through the whole of these instructions before you commence.

Keep these instructions for future reference.

Unpack, inspect and check off all of the contents.

Please dispose of all packaging safely.

Small component parts could choke a child if swallowed.

We strongly recommend that you keep children well away from the work area.

It would be sensible to lay a sheet or blanket on the floor where you intend to work to avoid scratching this product and to protect your floor.

This product is heavy. Take extreme care when lifting to avoid personal injury or damage to the product.

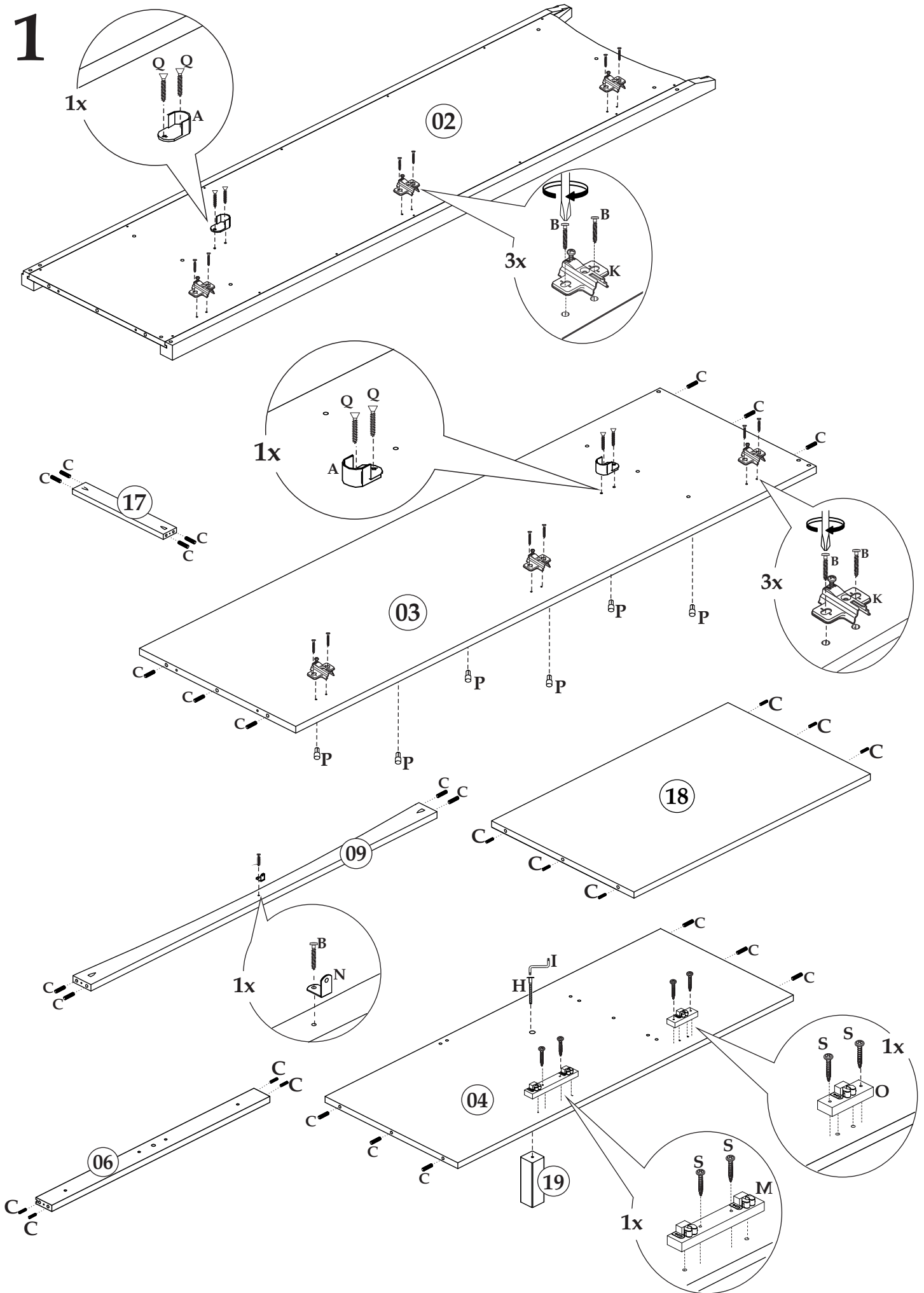
Assemble the product as close to its intended final position in the room as possible.

HANDY HINT: If you keep the hardware in a bowl during assembly you will be less likely to lose them.

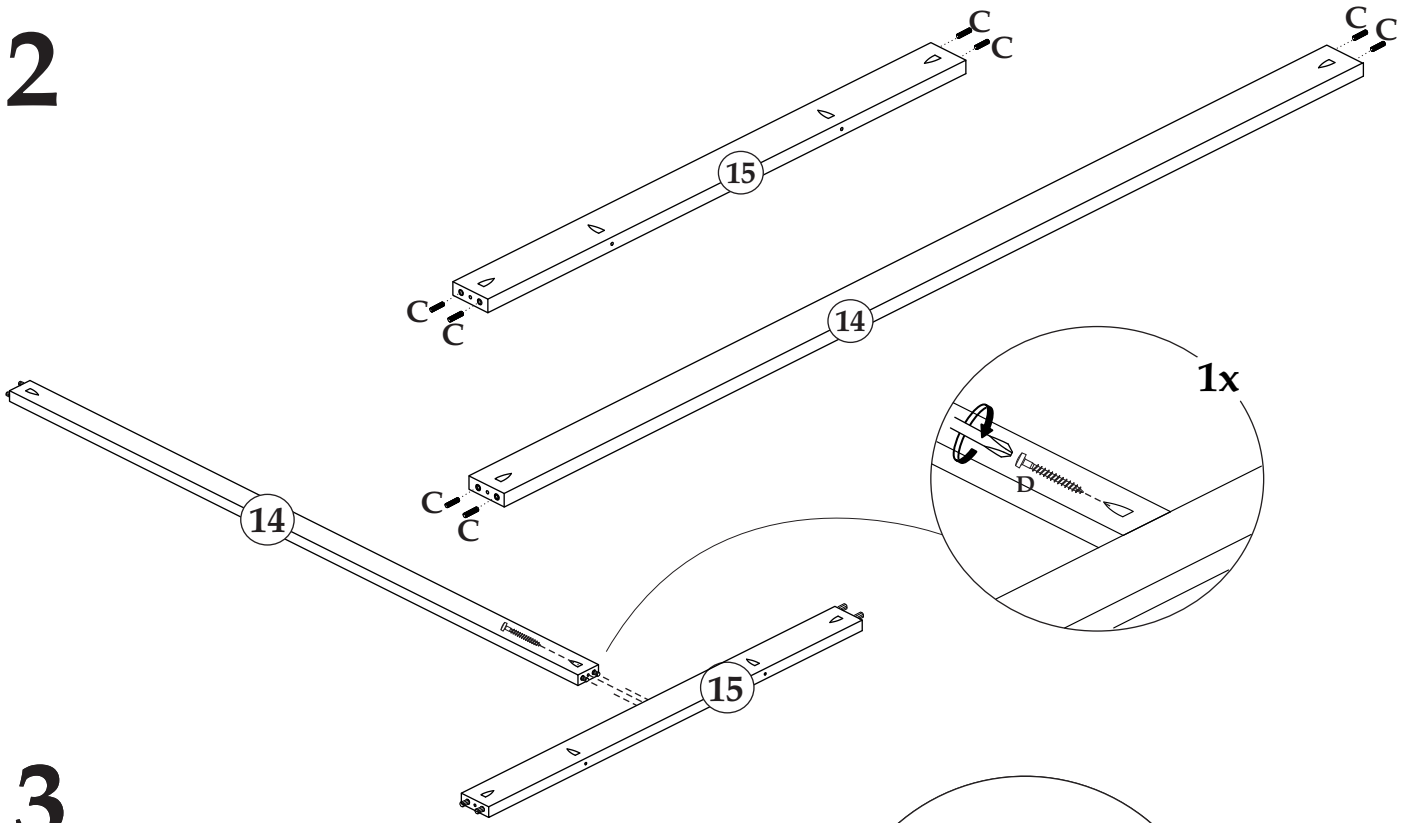
We strongly urge that you do not use Power Tools, such as drills or electric screwdrivers during this assembly as this could cause irreparable damage to your product and will invalidate the warranty.

“WARNING: In order to prevent overturning this product must be used with the wall attachment device provided.”

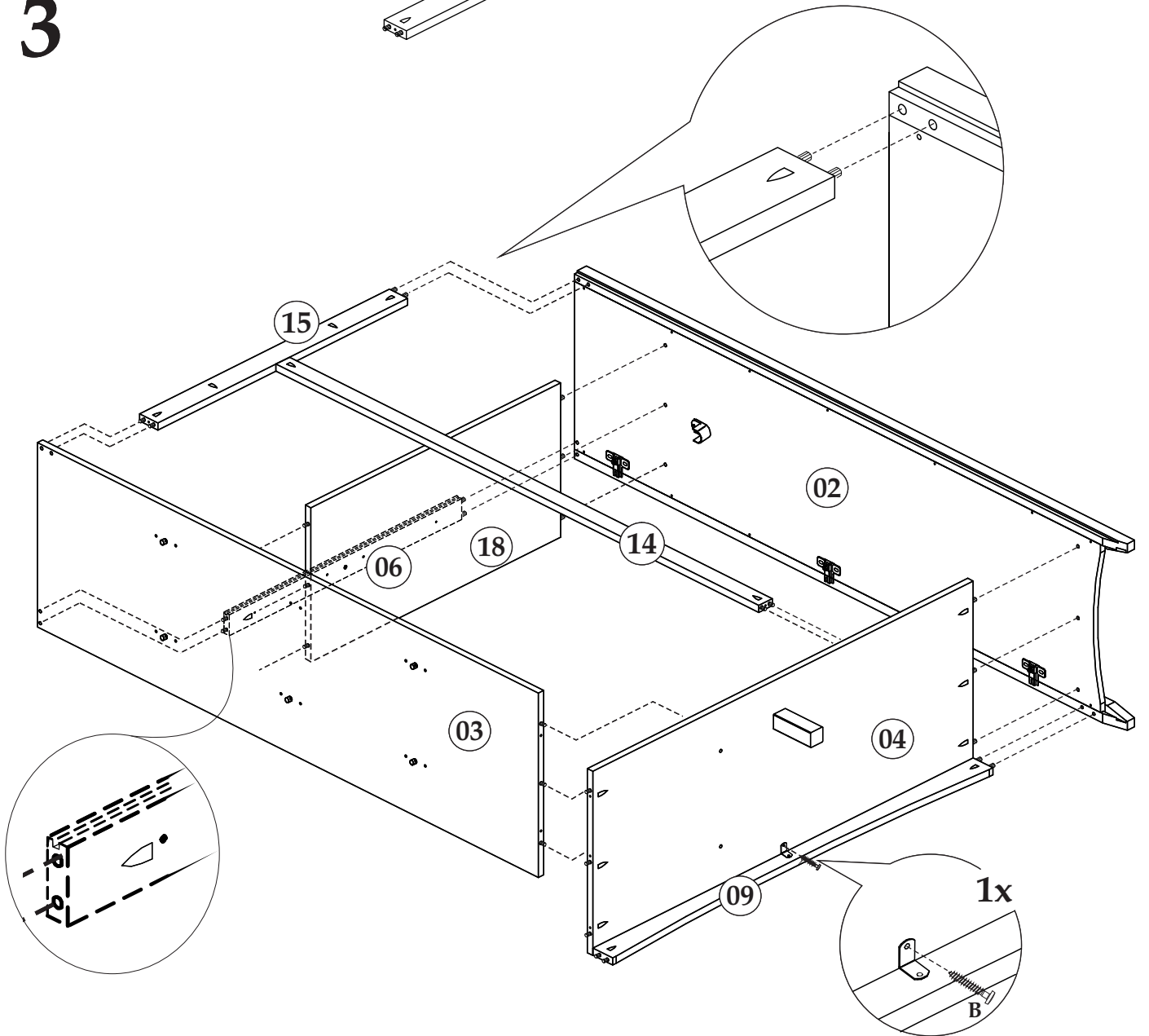
1



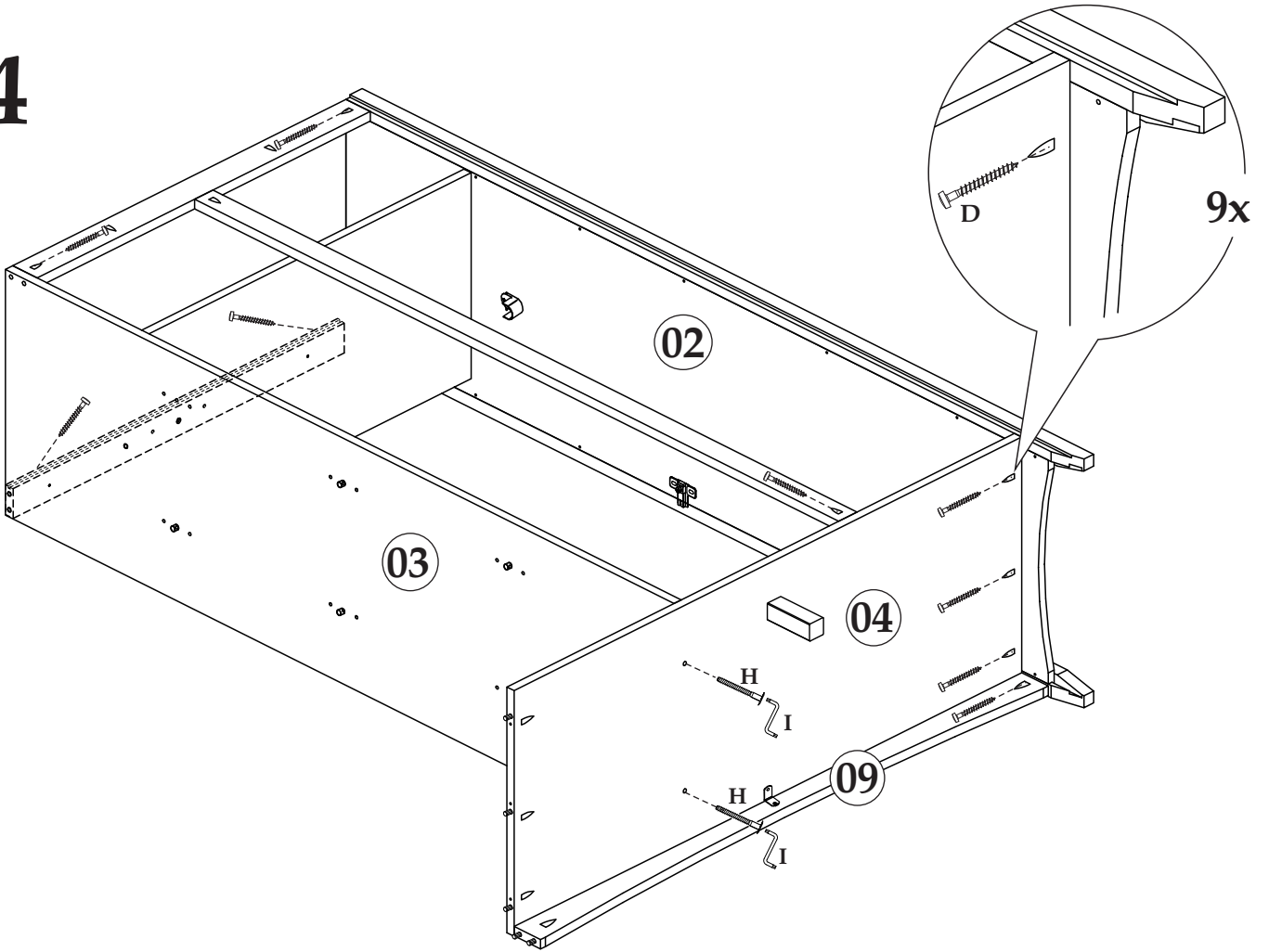
2



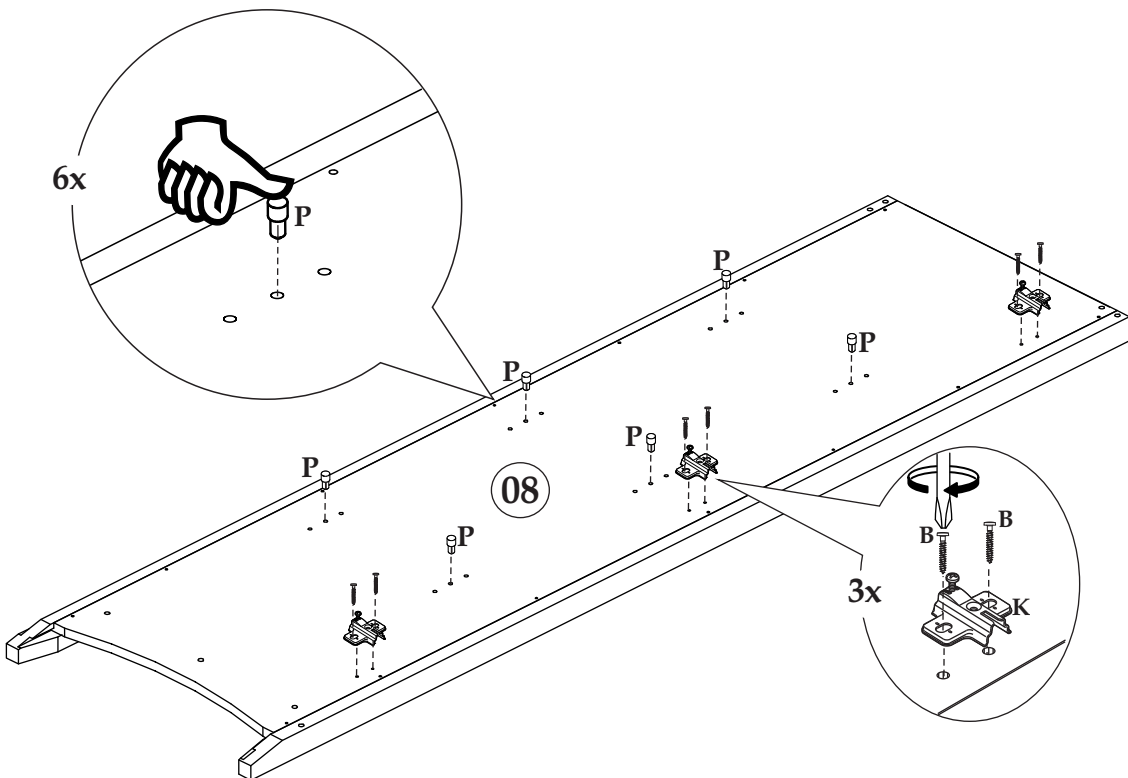
3



4

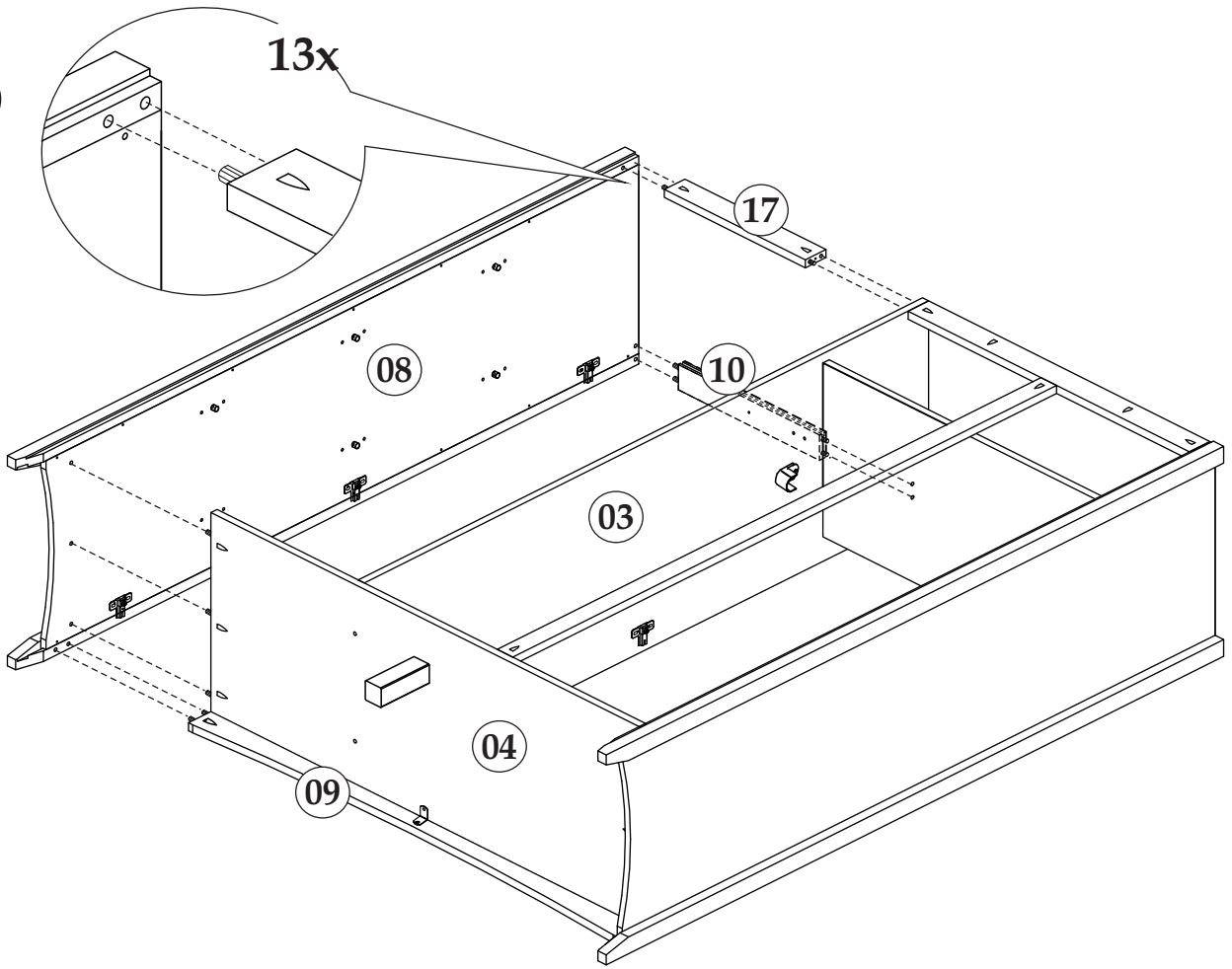


5



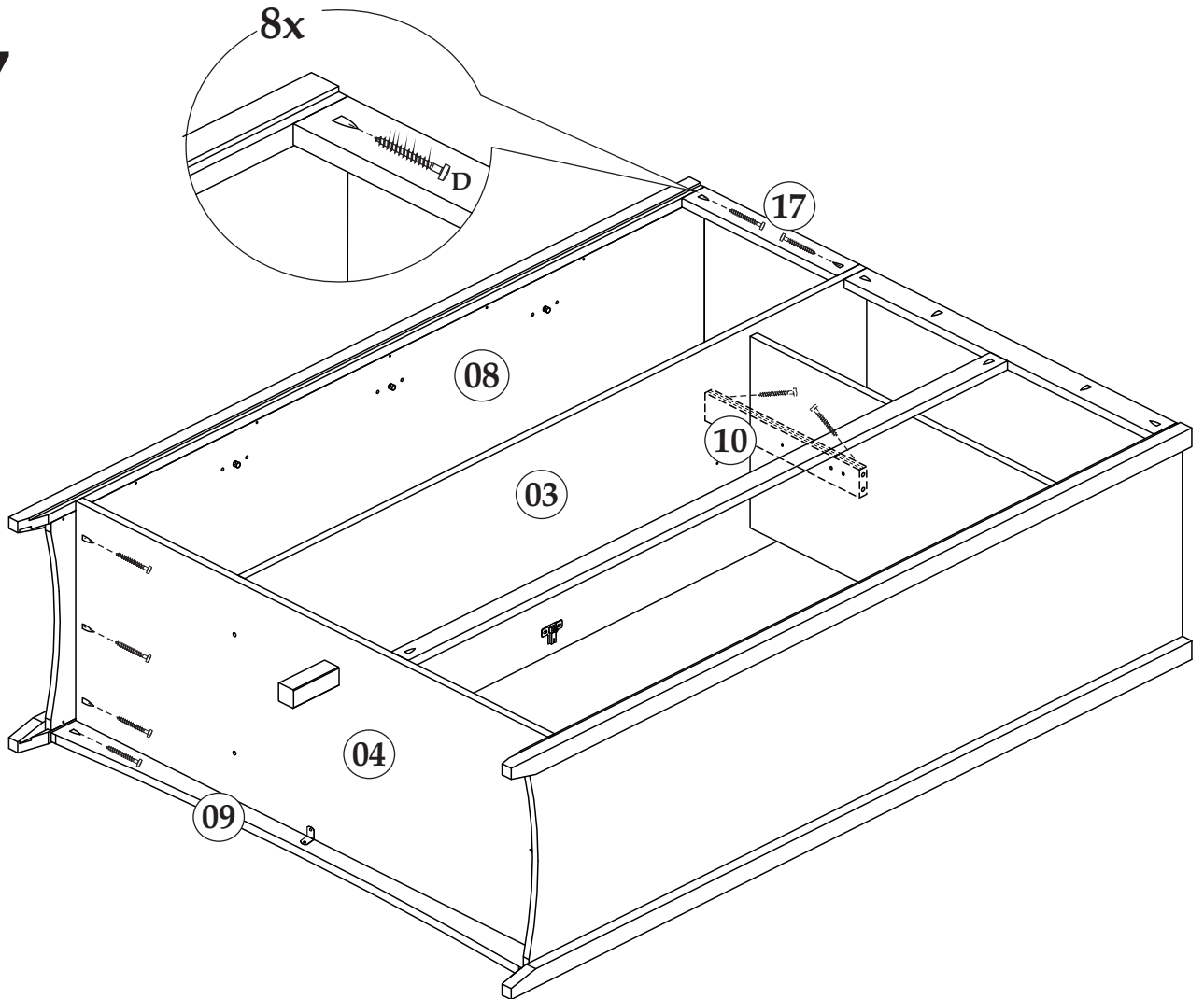
6

13x

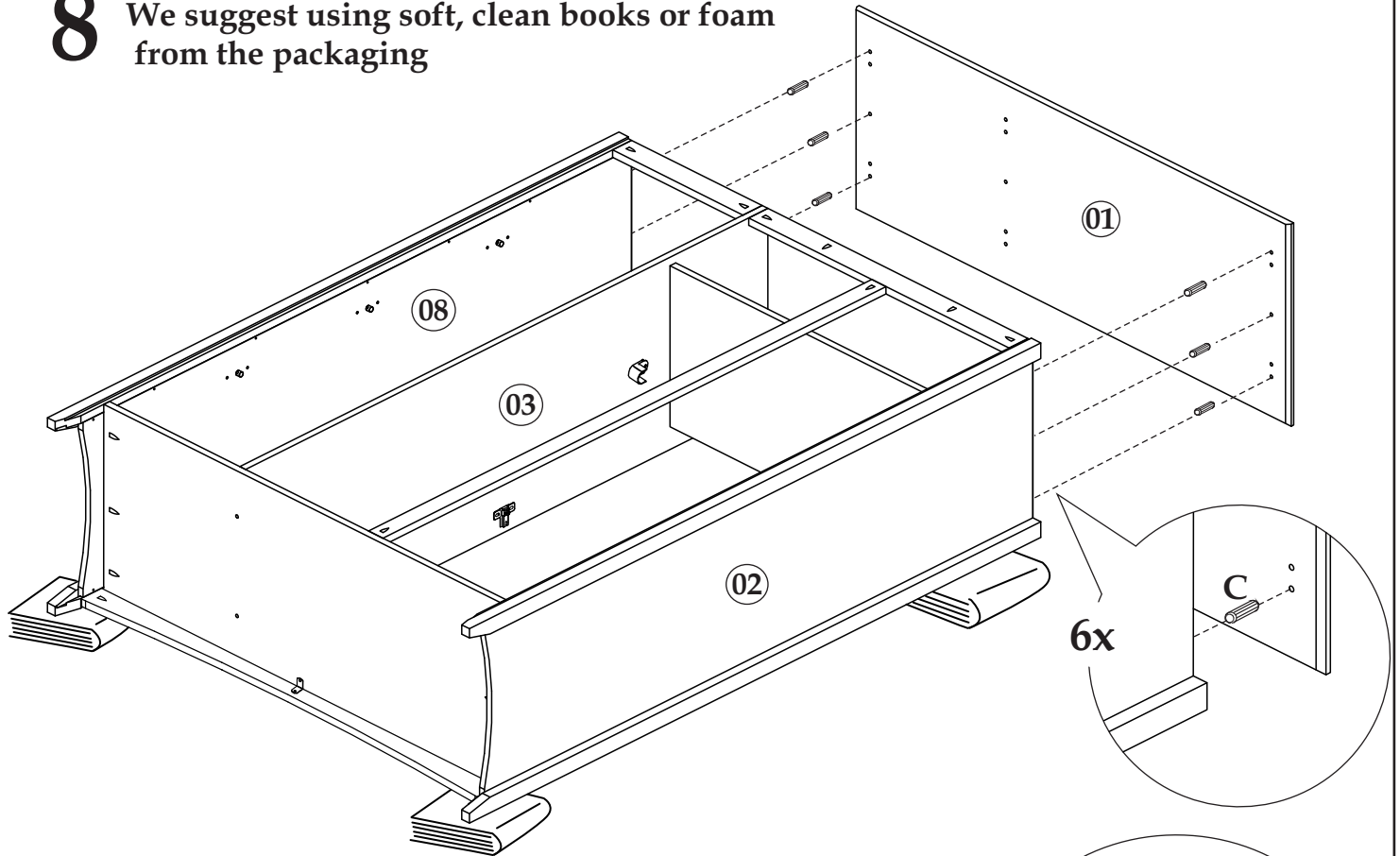


7

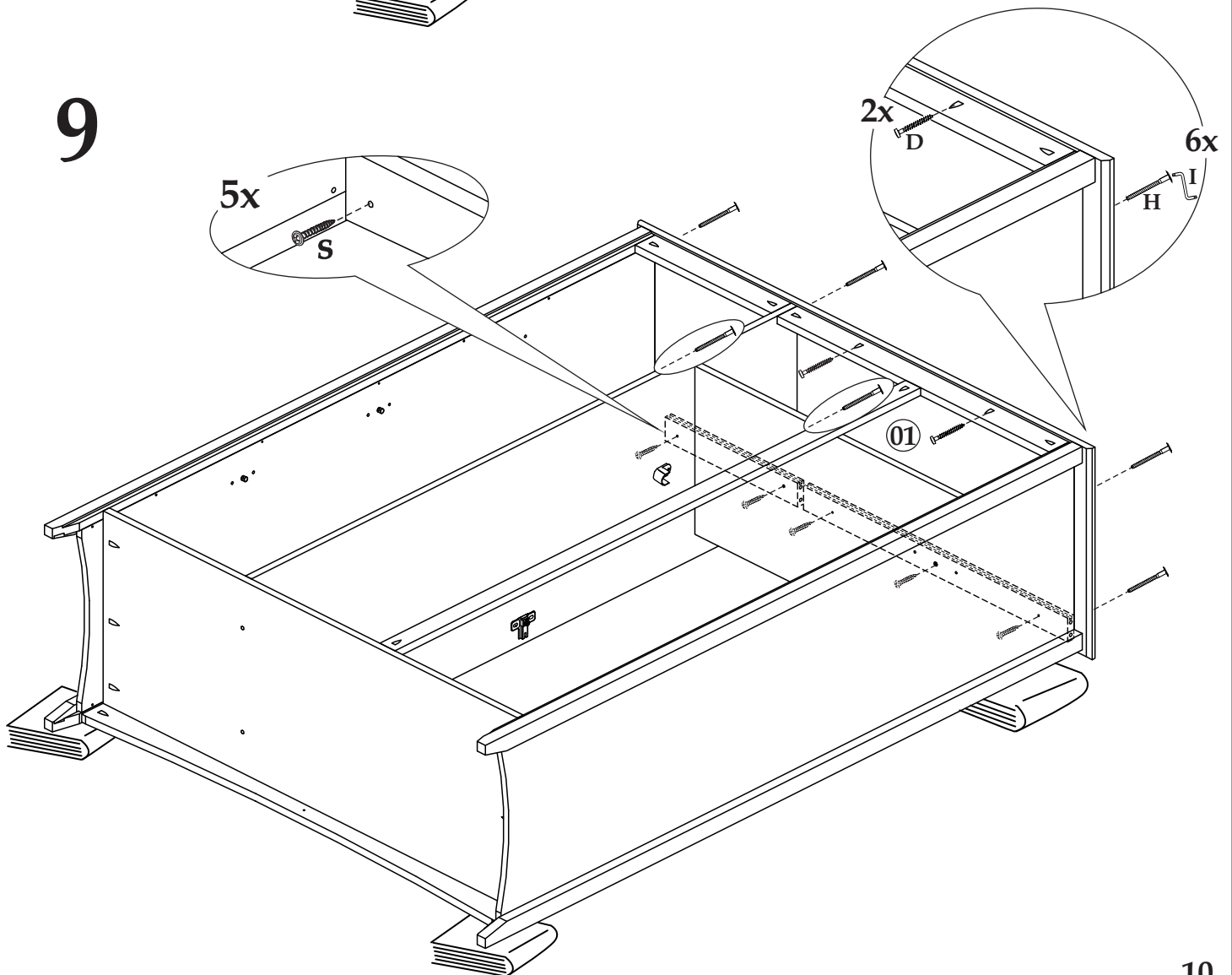
8x



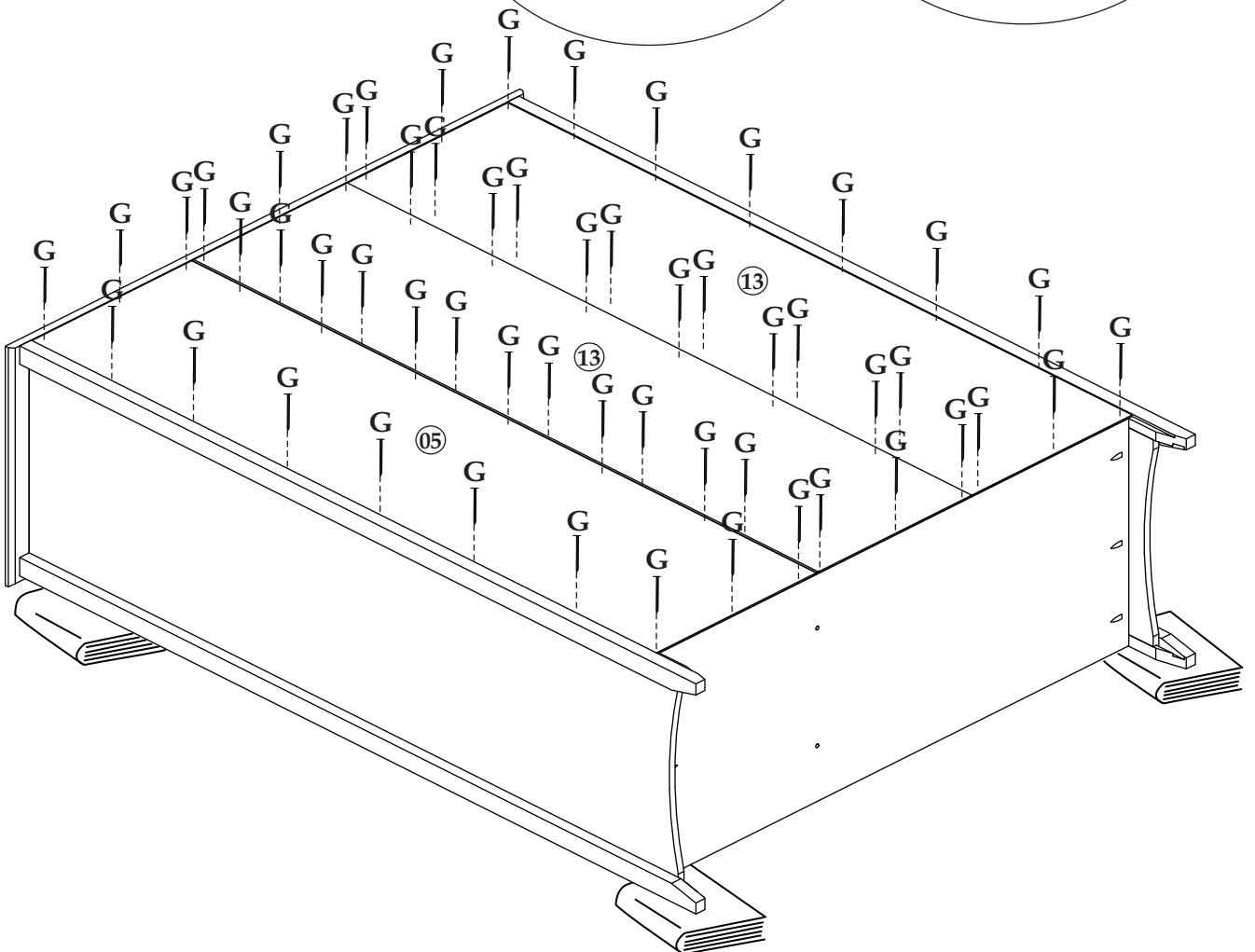
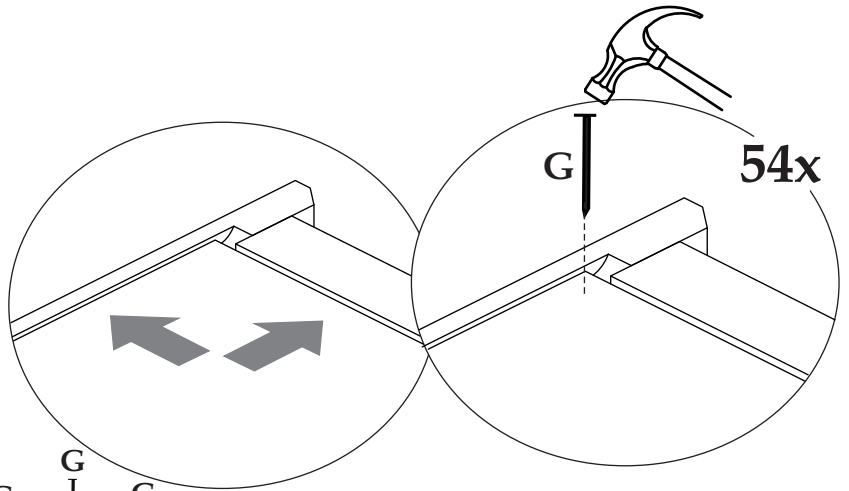
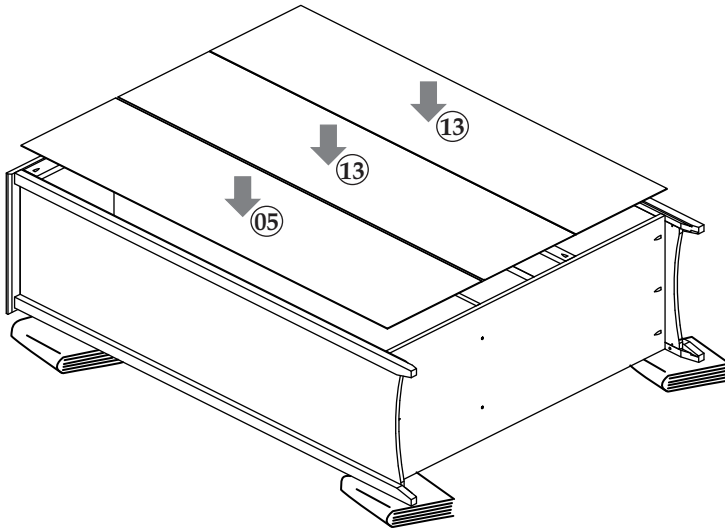
8 Carefully support the frame in order to attach the top.
We suggest using soft, clean books or foam
from the packaging



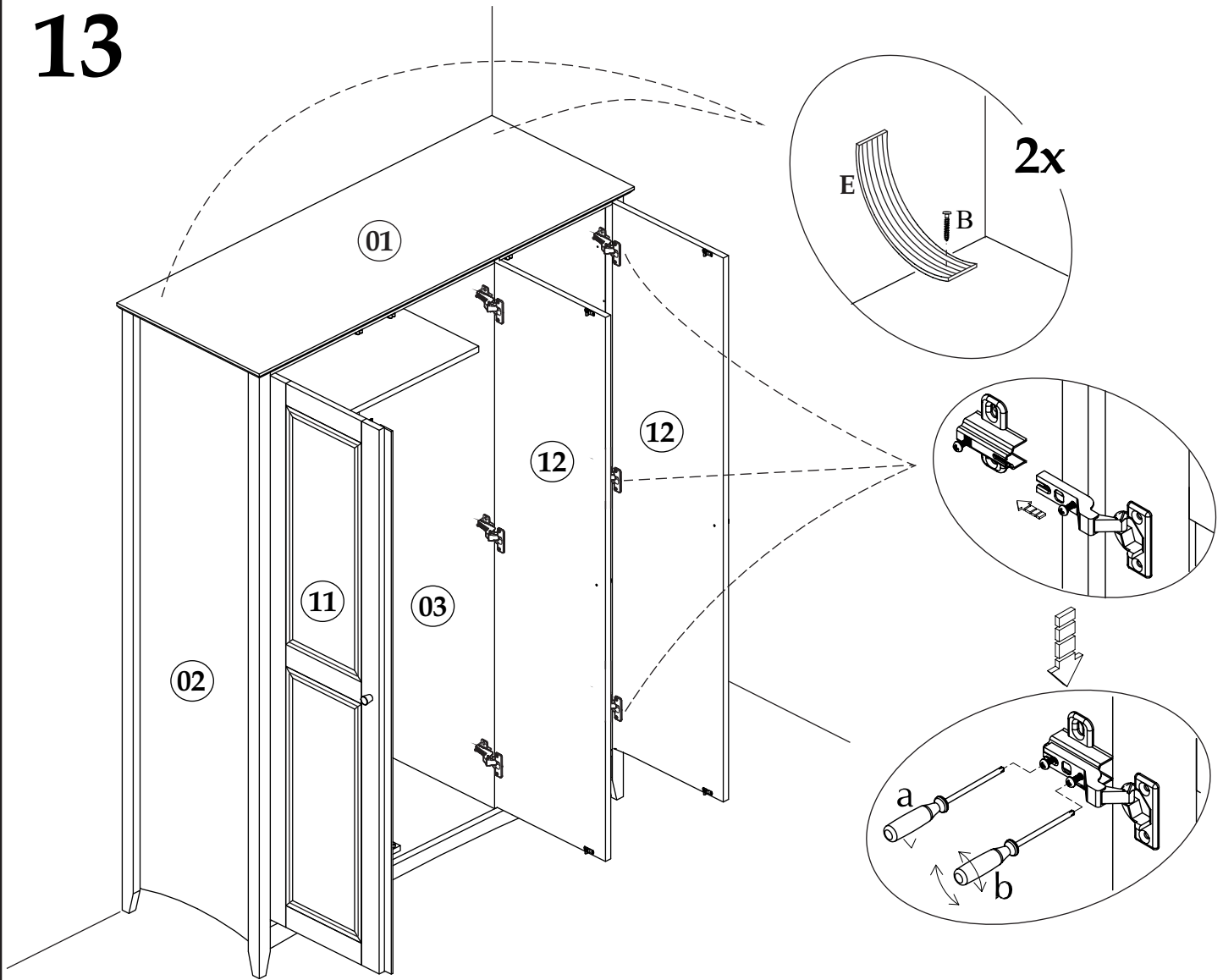
9



10



13



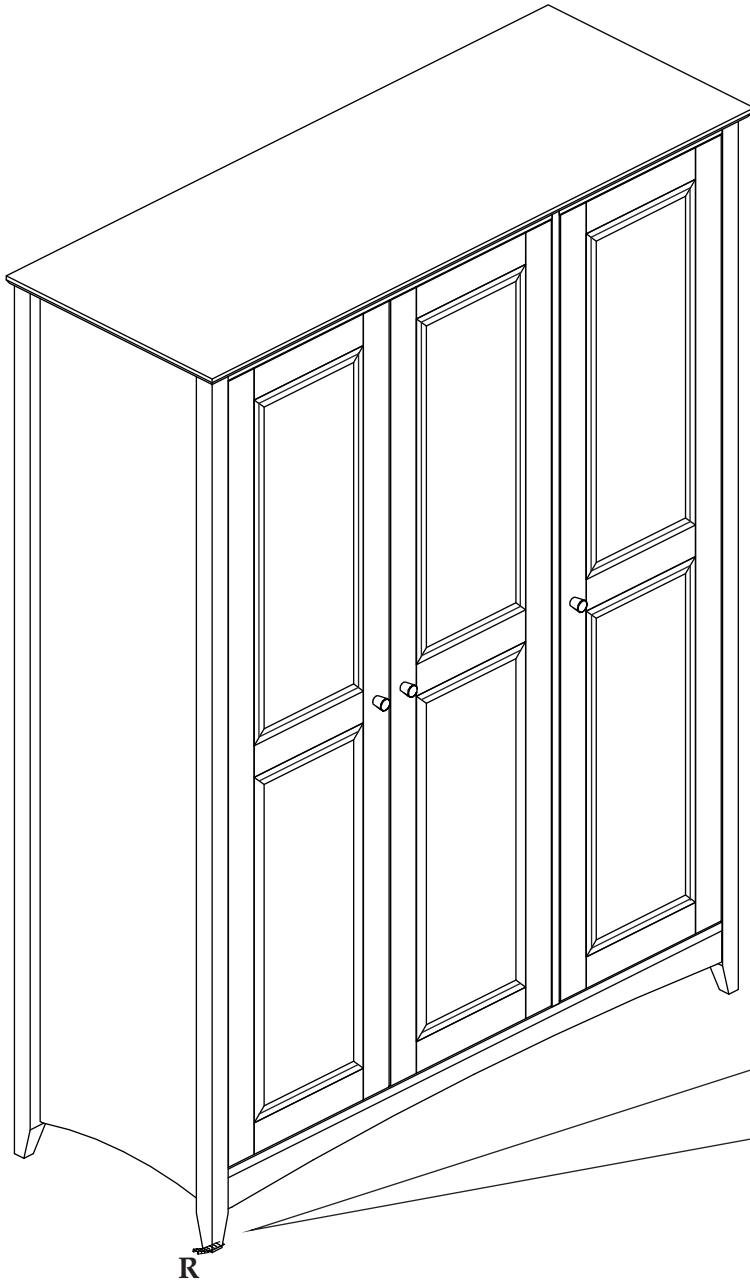
ADDITIONAL SAFETY INFORMATION

In the interest of safety, particularly where small children are concerned, we advise securing your furniture to the wall to prevent the product from tipping forwards when loaded.

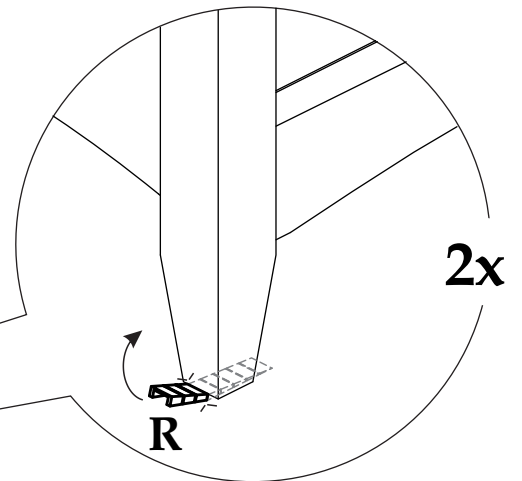
The screw included in this fitting pack is only intended for fixing the safety strap to the piece of furniture.

Use fixing devices suitable for the walls in your home, (NOT INCLUDED).

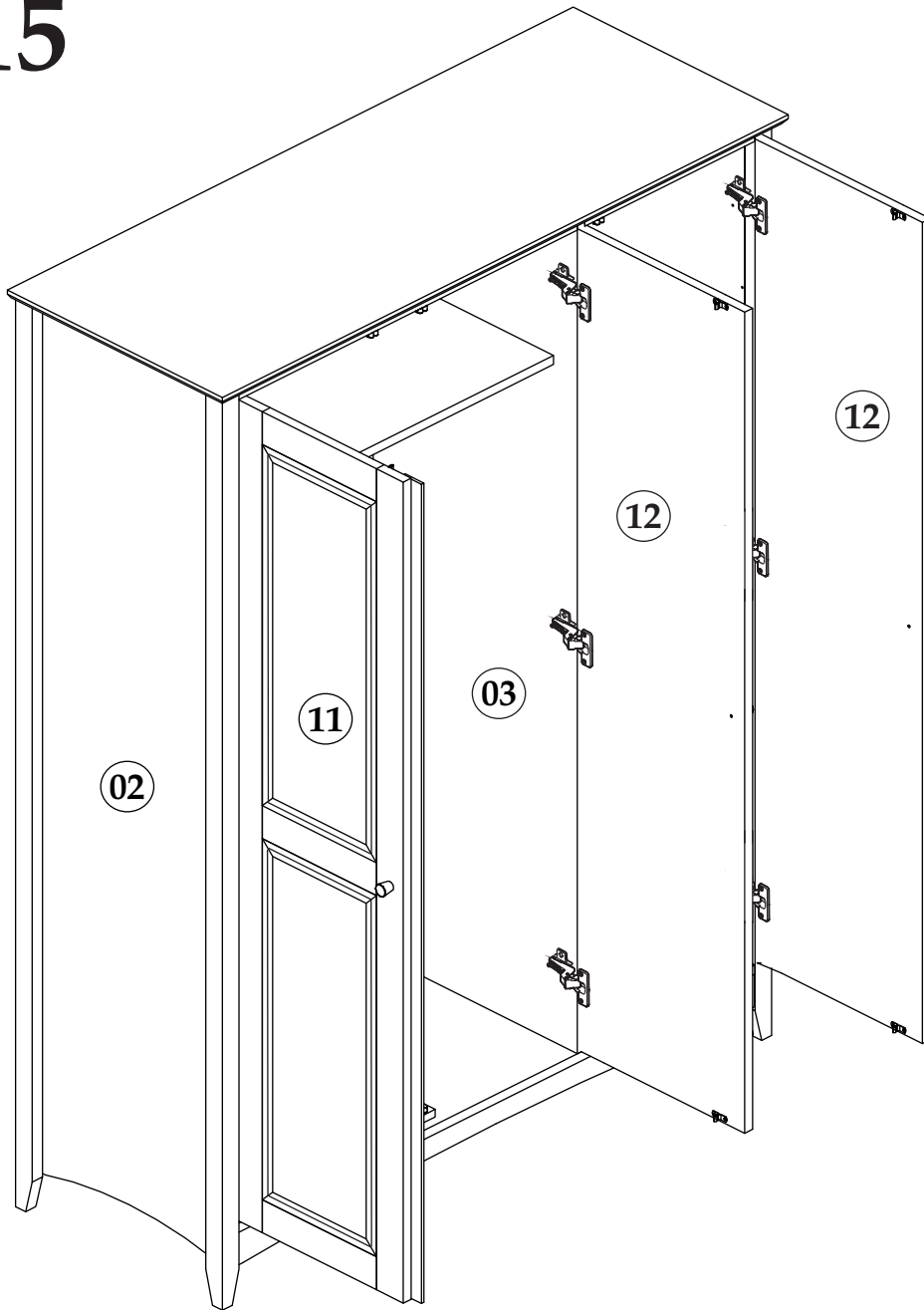
If you are unsure what type of fixings to use, please seek further advice from your local DIY store.



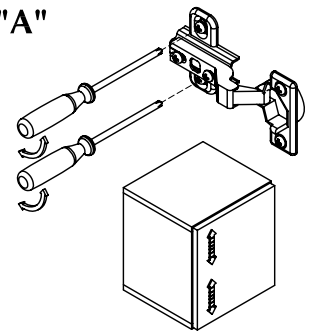
Where necessary level the cabinet using the snap wedges (R) provided.



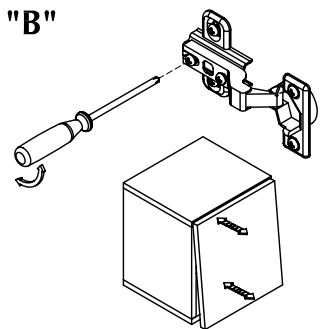
15



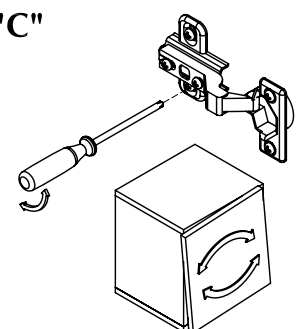
"A"



"B"



"C"



General Care

Wipe clean with a slightly damp soft cloth.

Avoid the use of all household cleaners and abrasives.

When moving your furniture, carefully lift into place.

Never drag or push the pieces across the floor as this will cause damage to the joints and could result in failure to the product that will invalidate the warranty.

Recommendations

Periodical re-tightening of fixings.

Warning

This unit is heavy. Please use an assistant when lifting.

Notes

We've tried to make this piece of furniture as easy to assemble as possible.

In the unlikely event that you have problems putting it together or have damaged or missing pieces, please contact our customer services on 01553 401844