

## Low friction ring's sizes

The rings have slightly different radii. What is important, though, is that they are all available in various sizes, and each one is labeled with the **appropriate size** for its intended use.

Each size corresponds to a specific workload and route, as detailed in the tables below.



**XS-8x5**



**S-14x10**



**M-20x14**



**L-28x20**



**XL-38x28**

## Strength calculation of a rope (Simplified approach)

The calculation to determine the breaking load required for your simplified sheet is as follows

**Sail area (m<sup>2</sup>) x Wind speed<sup>2</sup> (in kts) x 0.021 = Working load  
(in daN) x 5 = Breaking load**

Quick formula below :

Breaking strength of halyard or mainsheet required = Genoa area x 80

Breaking strength of the halyard or mainsheet required = Mainsail area x 100

Breaking strength of the Spinnaker halyard or sheet required = Spinnaker area x 30

### Comparative table :


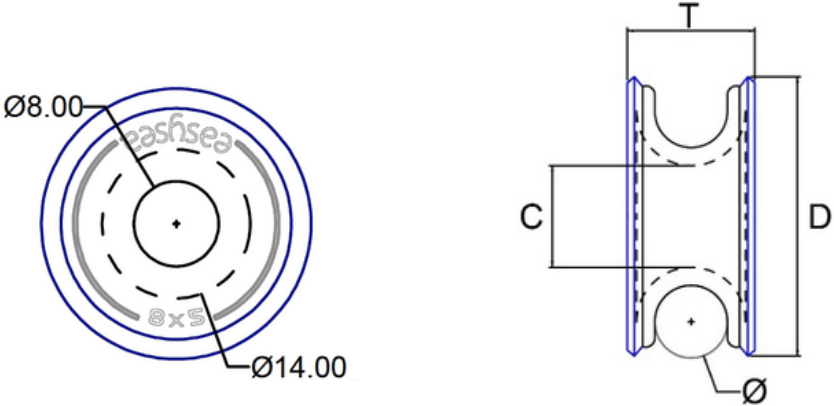
Deflection angle	Load Factor
180°	200%
160°	197%
140°	187%
120°	173%
90°	141%
75°	122%
60°	100%
45°	76%
30°	52%
20°	35%

Olli™



**XS - 8x5**

**TECHNICAL CHARACTERISTICS**


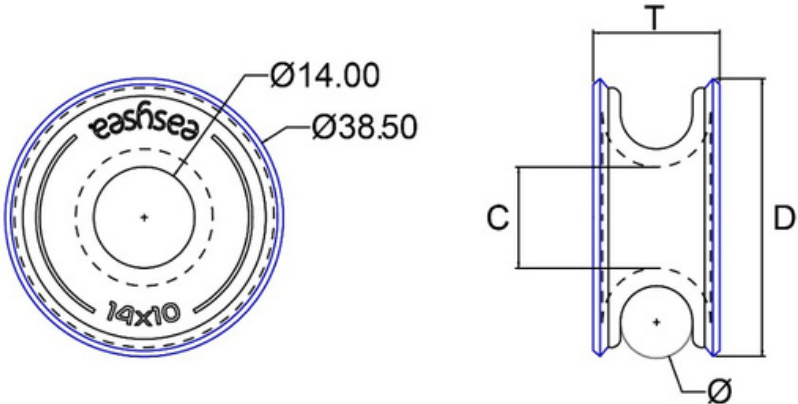
Olli™ XS 8X5	ATTRIBUTE	VALUE
	<b>MATERIAL RING</b>	Aluminum 6082
	<b>TREATMENT</b>	Hard black anodized
	<b>IMPACT PROTECTION</b>	EPDM rubber
	<b>LINE Ø</b>	5 mm
	<b>C (CENTER HOLE Ø)</b>	8 mm
	<b>T (THICKNESS)</b>	12,60 mm
	<b>D (DIAMETER)</b>	25,50 mm
	<b>WEIGHT</b>	7 gr
	<b>MAX WORKING LOAD</b>	600 Kg
	<b>BREAKING LOAD</b>	1200 Kg

Olli™



S - 14x10

TECHNICAL CHARACTERISTICS


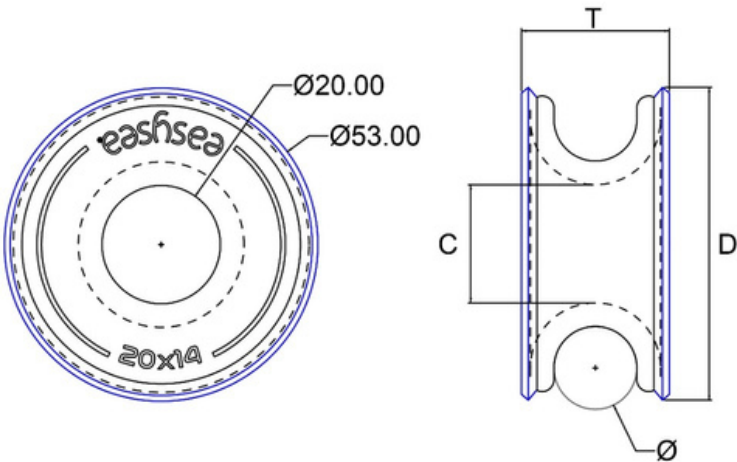
Olli™ S 14X10	ATTRIBUTE	VALUE
	<b>MATERIAL RING</b>	Aluminum 6082
	<b>TREATMENT</b>	Hard black anodized
	<b>IMPACT PROTECTION</b>	EPDM rubber
	<b>LINE Ø</b>	10 mm
	<b>C (CENTER HOLE Ø)</b>	14 mm
	<b>T (THICKNESS)</b>	17,60 mm
	<b>D (DIAMETER)</b>	38,50 mm
	<b>WEIGHT</b>	13 gr
	<b>MAX WORKING LOAD</b>	1600 Kg
	<b>BREAKING LOAD</b>	3600 Kg

Olli™



M - 20x14

**TECHNICAL CHARACTERISTICS**


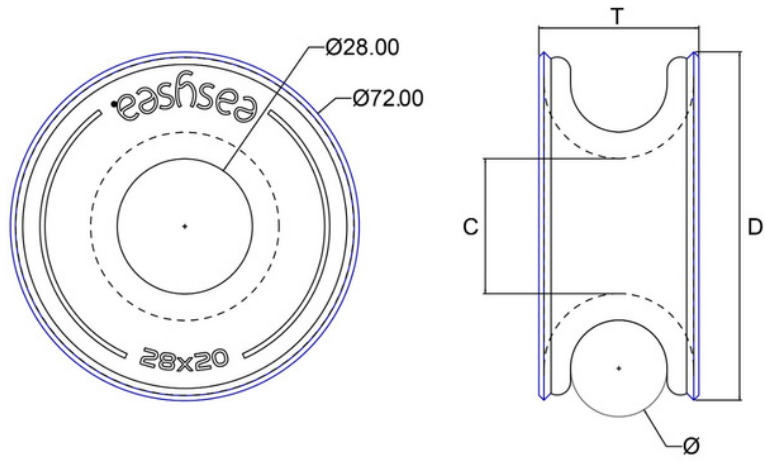
Olli™ M 20X14	ATTRIBUTE	VALUE
	<b>MATERIAL RING</b>	Aluminum 6082
	<b>TREATMENT</b>	Hard black anodized
	<b>IMPACT PROTECTION</b>	EPDM rubber
	<b>LINE Ø</b>	14 mm
	<b>C (CENTER HOLE Ø)</b>	20 mm
	<b>T (THICKNESS)</b>	17,60mm
	<b>D (DIAMETER)</b>	53 mm
	<b>WEIGHT</b>	39 gr
	<b>MAX WORKING LOAD</b>	3200 Kg
<b>BREAKING LOAD</b>	6400 Kg	



Olli™




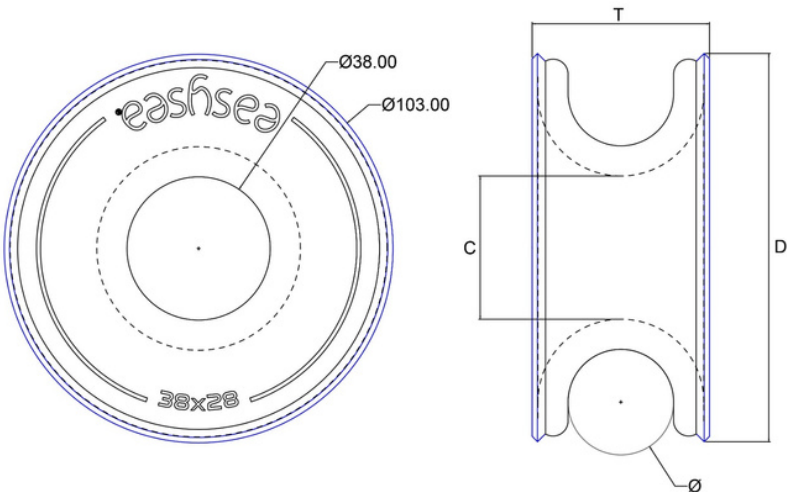
L - 28x20

TECHNICAL CHARACTERISTICS		
Olli™ L 28X20	ATTRIBUTE	VALUE
	<b>MATERIAL RING</b>	Aluminum 6082
	<b>TREATMENT</b>	Hard black anodized
	<b>IMPACT PROTECTION</b>	EPDM rubber
	<b>LINE Ø</b>	20 mm
	<b>C (CENTER HOLE Ø)</b>	28 mm
	<b>T (THICKNESS)</b>	33,20 mm
	<b>D (DIAMETER)</b>	72 mm
	<b>WEIGHT</b>	107 gr
	<b>MAX WORKING LOAD</b>	6400 Kg
	<b>BREAKING LOAD</b>	12800 Kg

Olli™



XL - 38x28

TECHNICAL CHARACTERISTICS		
Olli™ XL 38X28	ATTRIBUTE	VALUE
	<b>MATERIAL RING</b>	Aluminum 6082
	<b>TREATMENT</b>	Hard black anodized
	<b>IMPACT PROTECTION</b>	EPDM rubber
	<b>LINE Ø</b>	28 mm
	<b>C (CENTER HOLE Ø)</b>	38 mm
	<b>T (THICKNESS)</b>	47 mm
	<b>D (DIAMETER)</b>	103 mm
	<b>WEIGHT</b>	317 gr
	<b>MAX WORKING LOAD</b>	10000 Kg
	<b>BREAKING LOAD</b>	20000 Kg