



(2014-2020) POLARIS RZR XP 1000 STAGE 5 SLIP ON EXHAUST
INSTALLATION INSTRUCTIONS

1. REMOVE PLASTIC COVER, AND ALL FACTORY HEAT SHIELDS.
2. REMOVE STOCK MUFFLER BY REMOVING THE 2 BOLTS ATTACHING THE MUFFLER TO THE HEADER PIPE.
3. DISCONNECT THE OXYGEN SENSOR BY FIRST DISCONNECTING THE CONNECTOR, THEN UNSCREWING FROM THE EXHAUST. **SEE IMAGE 1**
4. REMOVE THE STOCK SYSTEM STARTING AT THE TURBO GOING TOWARD THE MUFFLER. BE SURE TO REMOVE THE TRIANGULAR SHAPED RUBBER HANGER. **SEE IMAGE 2**
5. REMOVE ANY REMAINING HEAT SHIELDS BENEATH THE STOCK MUFFLER.
6. LOOSELY PRE-ASSEMBLE THE MUFFLERS USING THE BILLET MOUNTING BRACKET. USING THE M8 x 20mm ALLEN BOLTS, NYLOCK NUTS, FLAT WASHERS, BILLET SPACERS, SQUARE WASHERS, AND LONG BILLET BAR WITH THE TRINITY LOGO, BOLT THE MUFFLERS TO THE FRAME OF THE VEHICLE. **SEE IMAGE 3A & 3B**
7. ATTACH THE 4-BOLT FLANGE ONTO THE MUFFLERS WITH THE SPRING TABS GOING ON THE TOP OUTSIDE BOLT HOLE LOCATIONS.
8. SLIDE ON TRINITY RACING Y-PIPE TO BOTH 4-BOLT FLANGES ATTACHED TO THE MUFFLERS.
9. BOLT THE TRINITY RACING Y-PIPE TO THE STOCK HEAD PIPE WITH THE 2 OEM BOLTS.
11. ATTACH THE SPRINGS TO SECURE Y-PIPE TO FLANGES.
12. BEFORE STARTING VEHICLE, CLEAN ALL EXHAUST COMPONENTS TO REMOVE ANY FINGER PRINTS OR OIL RESIDUE.





IMAGE #1



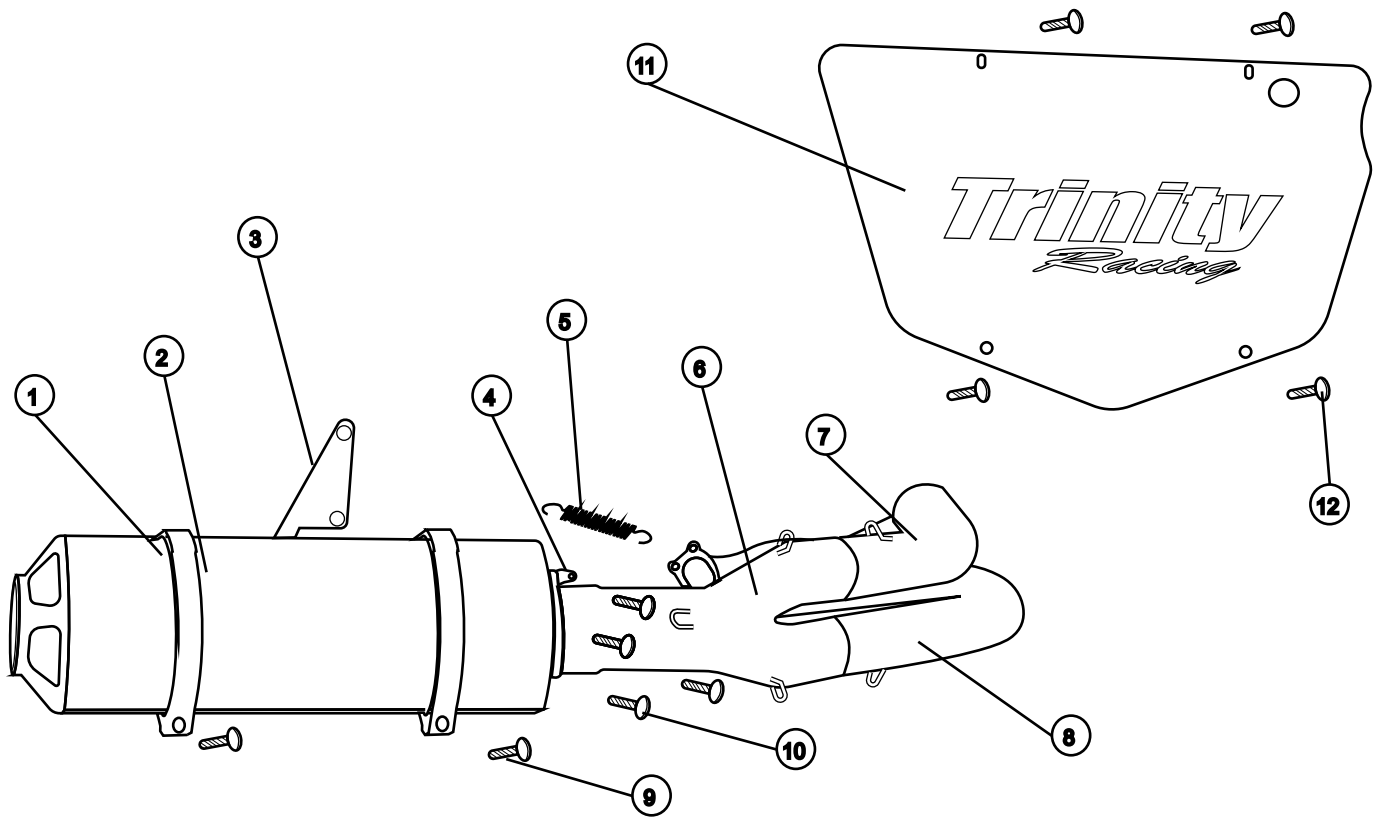
IMAGE #2



IMAGE #3A



IMAGE #3B



1	MUFFLER BODY
2	MUFFLER CLAMP
3	EXHAUST HANGER
4	SPRING RETAINER CLIP / EXHAUST FLANGE
5	RETENTION SPRING
6	Y-PIPE
7	UPPER HEAD PIPE
8	LOWER HEAD PIPE
9	M8 x 25 SOCKET HEAD
10	M8-1.25 X 20MM BUTTON HEAD
11	TRINITY RACING BACK PLATE
12	M6 - 1 SOCKET HEAD SCREW

WARNING

* Trinity Racing exhaust systems will require adjustment to OEM fuel settings such as installation of an EFI programmer. Trinity Racing will not be held responsible for damages that occur during operation of your vehicle under improper fuel settings. Ultimately, it is the responsibility of the owner/rider to adjust fuel settings to specific riding conditions.

* Inspection of the muffer packing is recommended following every 30 hours of runtime. Failure to maintain muffer packing will result in power loss, increased sound output, and damage to the muffer body or muffer components.

* Trinity Racing exhausts systems are designed for high performance applications and are legal for closed course competition only. This product is not applicable nor intended for use on emissions controlled street, highway, or off-road vehicles.

5221 Oceanus Dr.
 Huntington Beach, CA 92649
 714.988.0339
 www.trinityracing.com

