



1 Ton I Beam Manual Pushing Trolley with rubber bump stops

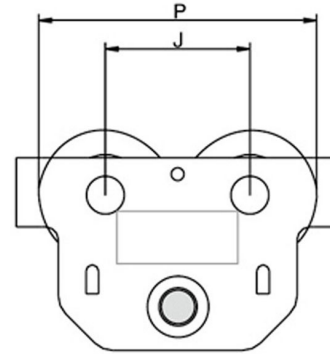
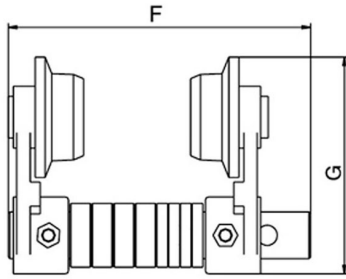
Key features

- Rubber Bump Stops: Equipped with rubber bump stops for enhanced safety and protection
- Constructed with robust materials to ensure long-lasting performance
- Ideal for use in workshops, factories, warehouses, and other settings with I beam installations
- 3 Year Warranty, Customer Support and Service in the USA

1 Ton I Beam Manual Pushing Trolley with rubber bump stops

Technical Specifications

Rated Load Capacity	2200 lb / 1000 kg	Minimum Turn Radius	3.3 ft / 1 m
I-Beam Width Range	2~4 in / 50~102 mm	Warranty	3 Year



Model / Modelo	PWQM1T	PWQM3T	PWQM5T	PWQM10T	
Dimensions / Dimensiones	F	7.5 in / 190 mm	10.8 in / 275 mm	10.8 in / 275 mm	13.4 in / 340 mm
	G	5.3 in / 135 mm	8.1 in / 205 mm	9.3 in / 236 mm	12.6 in / 320 mm
	P	6.3 in / 160 mm	10.4 in / 265 mm	12 in / 305 mm	14.4 in / 365 mm
	J	3.5 in / 90 mm	5.4 in / 138 mm	6.2 in / 157 mm	7.7 in / 195 mm

Unit Weight & Dimensions

Total Unit Weight	13 lbs / 6 Kg
--------------------------	---------------

Packaging Weight & Dimensions

Package 1 Net Weight	13 lbs / 6 Kg
Package 1 Width	23 in / 58.42 cm
Package 1 Gross Weight	15 lbs / 7 Kg
Package 1 Height	14 in / 35.56 cm
Package 1 Length	13 in / 33.02 cm