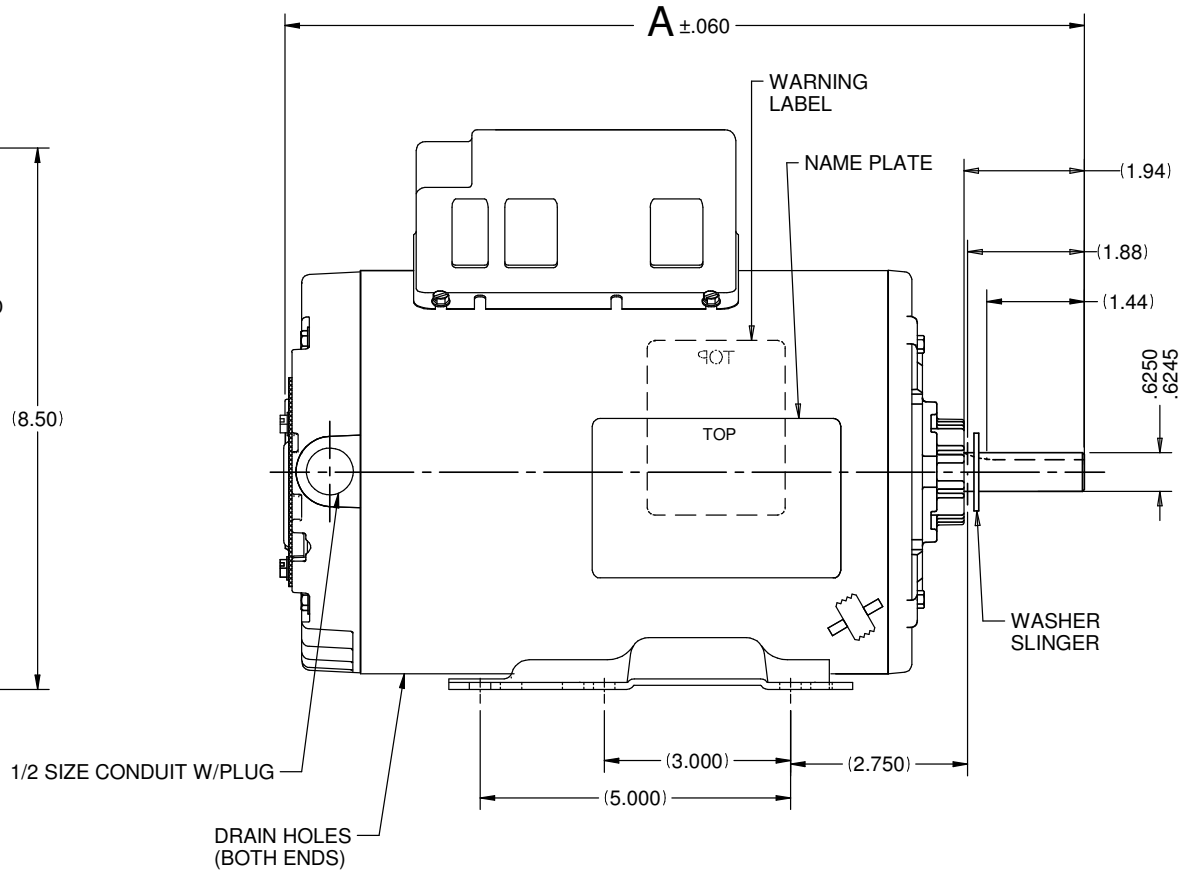
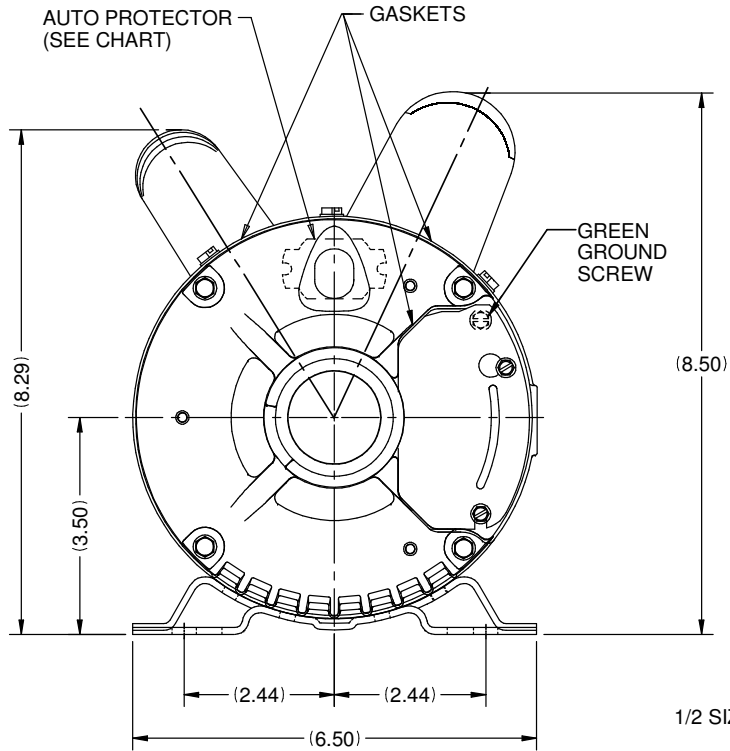


VAR	MODEL	CUSTOMER	CUST. P/N	A	HP	VOLTS	SF	AMPS	HZ	RPM	CONN VOLTS	PROT.	DESCRIPTION / REMARKS
001	T63KZCLV-2301	USEM	FD1CPA2JH	12.89	1	115/208-230	1.4&1.2	9.0/4.5	60 & 50	1750 & 1450	-----	AUTO	N56H, TEAO

NOTE: .19 X .19 X 1.38 KEY
TAPED TO MOTOR



NIDEC MOTOR CORPORATION 18-May-16

ROTATION: C.W. LEAD END, REVERSIBLE

REFER TO S.E.I.M. 24-1

CREATED NEW DRAWING	REVISION RECORD FOR: JC-70908
ISSUED BY: C.ALMAGUER	ENGINEER APPROVED: C. ROESSLER

TOLERANCES ON DIMENSIONS (UNLESS OTHERWISE SPECIFIED)	
INCHES .XX = ± .010 .XXX = ± .005	mm
ANGLES X° = ±1°	

NIDEC MOTOR CORPORATION			
INFORMATION DISCLOSED ON THIS DOCUMENT IS CONSIDERED PROPRIETARY AND SHALL NOT BE REPRODUCED OR DISCLOSED WITHOUT WRITTEN CONSENT OF NIDEC MOTOR CORPORATION			
TITLE		CODE	ITEM NO.
CUSTOMER DETAIL DRAWING		V02	811131
REVISION DATE:	REV	SHEET NUMBER	DWG SIZE
18-MAY-16	--	1 OF 4	B