



## 4400 lbs. 2 ton 20 ft Manual Chain Hoist G80 Black Tempered Chain

### Key features

- Reinforced Impact Resistant Gear Cover, Zinc Plated Chain Guide and Side Plates
- Reliable Double Pawl Brake System with Dust Cover Protection
- Grade 80 (TH) Load Chain
- Standard ASME/ANSI B30.16 , ISO 16877-2008
- 3 Year Warranty, Customer Support and Service in the USA

### Manual Chain Hoist Description

The **Prowinch 2 Ton Manual Chain Hoist** is perfect for lifting heavy loads even in situations where electricity is unavailable. The durable hook allows for quick and simple installation . The hoist is perfect for a wide variety of situations and environments.

### Prowinch Manual Chain Hoist

All of our **Manual Chain Hoists** are created with the goal of offering the best price-performance ratio. Key components such as lifespan factors are constantly tested and improved in order to offer the best product for the price.

### Braking System

The reliable double pawl brake system is tested at 125% of the hoist capacity.

## Technical Specifications

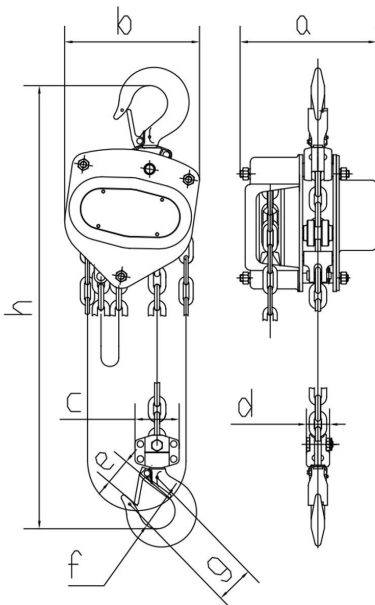
<b>Rated Load Capacity</b>	4400 lb / 2000 kg	<b>Load Chain Size</b>	7x22 mm
<b>Standard Lifting Height</b>	20 ft / 6 m	<b>Standards Compliance</b>	ANSI/ASME B30.16, EN13157, ISO 16877-2008
<b>Load Chain Type</b>	G80	<b>Warranty</b>	3 Year

Model/Modelo	PWTB050	PWTB100	PWTB150	PWTB200	PWTB300	PWTB500	PWTB1000	PWTB2000
A	4.9 in / 124 mm	5.3 in / 134 mm	5.9 in / 149 mm	6.2 in / 157 mm		7.1 in / 180 mm		8.9 in / 226 mm
B	5.1 in / 129 mm	6.1 in / 154 mm	6.8 in / 172 mm	7.3 in / 185.42 mm	9.3 in / 236 mm	10.3 in / 261 mm	14.4 in / 365 mm	21.7 in / 551 mm
C	1.7 in / 43 mm	2.0 in / 50 mm	2.5 in / 63.5 mm	3.9 in / 99 mm	5.0 in / 127 mm	5.0 in / 127 mm	10.2 in / 259 mm	11.3 in / 287 mm
D	1.0 in / 25 mm	1.2 in / 30 mm	1.3 in / 33 mm	2.2 in / 55 mm	2.9 in / 73 mm	3.9 in / 99 mm	4.8 in / 121 mm	
E	1.1 in / 27 mm	1.3 in / 33 mm	1.5 in / 38 mm	1.7 in / 43 mm	2.0 in / 50 mm	2.5 in / 63 mm	3.2 in / 81 mm	
F	1.3 in / 33 mm	1.6 in / 40 mm	1.7 in / 43 mm	1.8 in / 45 mm	2.0 in / 50 mm	2.4 in / 60 mm	3.3 in / 83 mm	4.3 in / 109 mm
G	1.4 in / 35 mm	1.8 in / 45 mm	1.9 in / 48 mm	2.0 in / 50 mm	2.5 in / 63 mm	3.1 in / 78 mm		

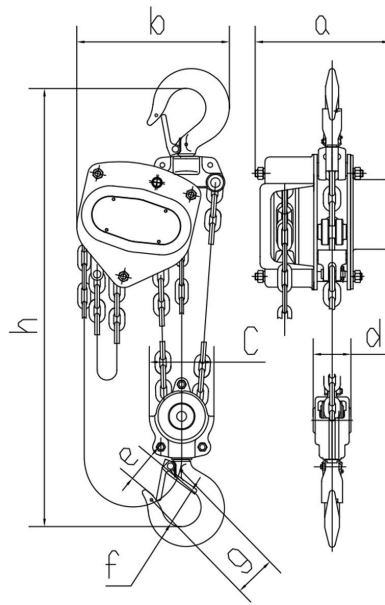
0.5 t, 1 t, 1.5 t & 2 t

3 t & 5 t

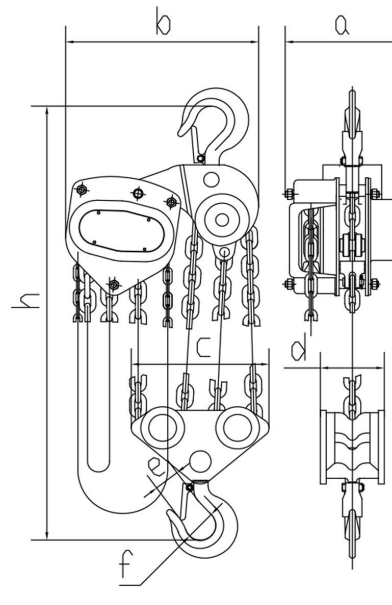
10 t



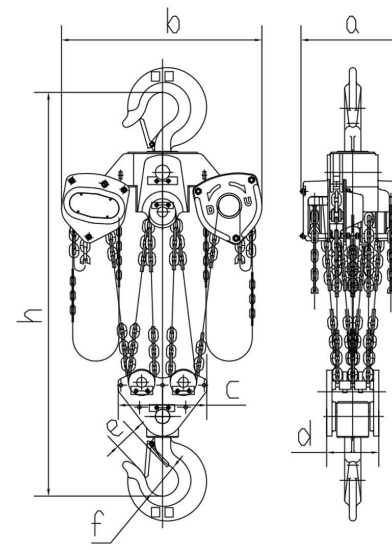
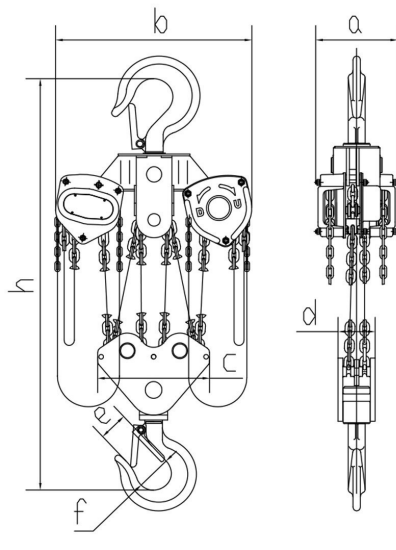
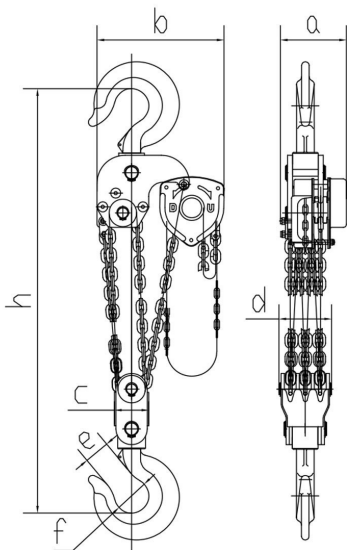
15 t



20 t



30 t



## Unit Weight & Dimensions

<b>H Minimum Headroom</b>	1.5 ft / 0.4 m
<b>Total Unit Weight</b>	35 lbs / 16 Kg

## Packaging Weight & Dimensions

<b>Package 1 Net Weight</b>	35 lbs / 16 Kg
<b>Package 1 Width</b>	8 in / 20.32 cm
<b>Package 1 Gross Weight</b>	39 lbs / 18 Kg
<b>Package 1 Height</b>	11 in / 27.94 cm
<b>Package 1 Length</b>	12 in / 30.48 cm