



## 1 Ton Electric Chain Hoist 20 ft. G80 Chain M3/H2 110~120V

### Key features

- High-efficiency Motor 750W 8A @ 110V. Speed 8 ft per min
- Duty Class: H2/M3/1Bm/Class B. Protection IP54
- Heavy duty G80 Chain
- US and EU Standards ASME HST-1, ASME B30.16, IEC60204-32
- 3 Year Warranty, Customer Support and Service in the USA

### Electric Chain Hoist Description

The **Prowinch 1 ton Electric Chain Hoist** allows you to easily lift loads. The powerful motor and single-phase electrical connection are perfect for use in a wide variety of situations and environments.

### Prowinch Single Phase Electric Chain Hoist

All of our **Electric Chain Hoists** are created with the goal of offering the best price-performance ratio. Key components such as lifespan factors are constantly tested and improved in order to offer the best product for the price.

### Key Components

All internal components have been upgraded to meet the highest quality standards. Key electronic components are produced by American or German brands, and we use American-made lubricants to ensure the lifespan of gears and reducers. Final assembly and all tests are performed in the US before shipping to ensure that every unit meets the corresponding standard.

### Duty Classification

Duty classification is a key factor when choosing the right chain hoist. These H2 hoists are suitable for light machine shop fabricating, service, and maintenance. For uniformly distributed work periods, the hoists have 12.5% max. operational time per hour and can handle up to 75 starts per hour. When being used for infrequent work periods, the hoist can be operated for 15 minutes from a cold start with up to 100 starts per hour. Operational time ratings are calculated at a 65% load factor, as per ASME HST-1-2012.

### Control System

This **electric chain hoist** comes standard with a pendant control. The length of the control is 4 feet less than the lifting height, which allows it to be easily operated from ground-level. An optional wireless control is available for extra convenience.

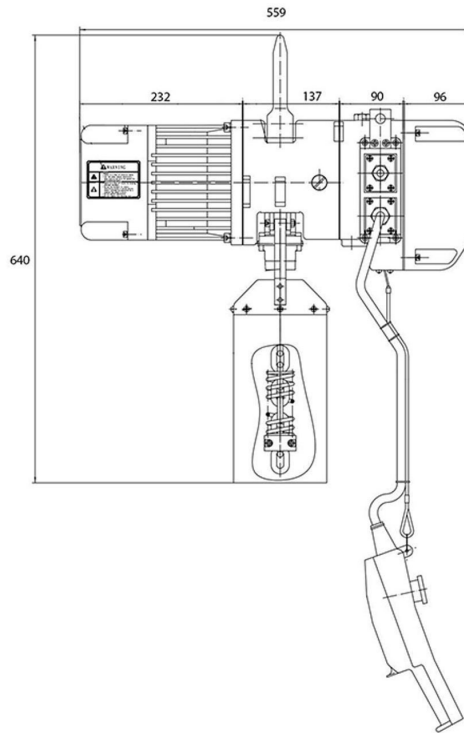
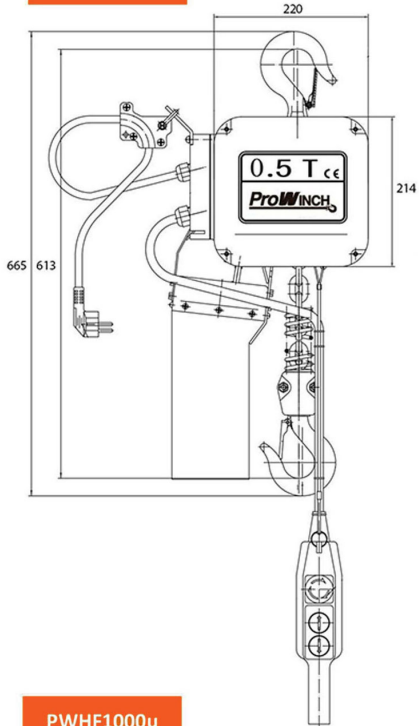
### Braking System

The **electromagnetic brake system** is tested at 125% of the hoist capacity and is designed to automatically engage immediately upon any loss of power.

## Technical Specifications

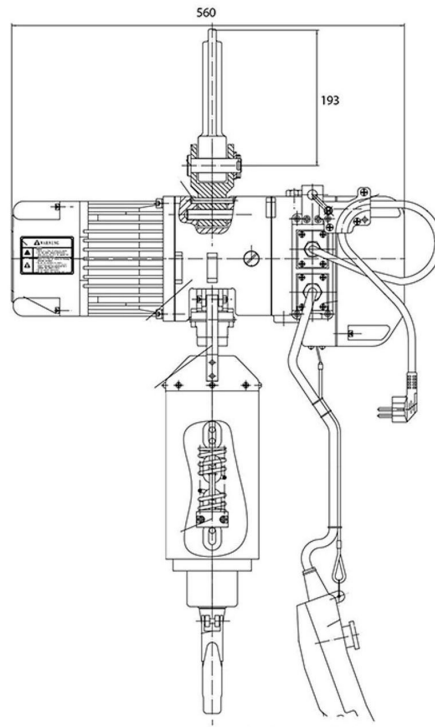
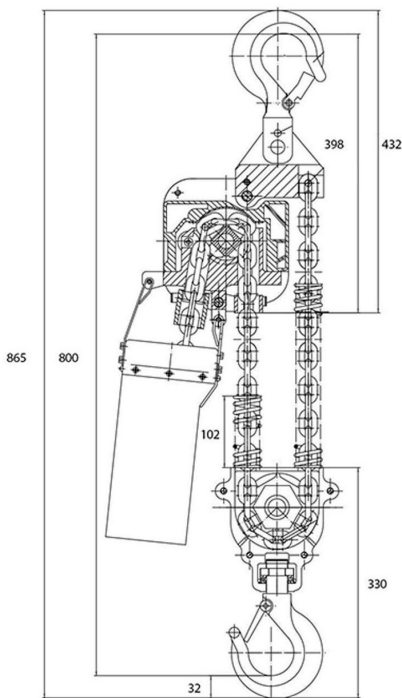
<b>Rated Load Capacity</b>	2200 lb / 1000 kg	<b>Control Voltage</b>	24V
<b>Standard Lifting Height</b>	20 ft / 6 m	<b>Emergency Stop</b>	Yes
<b>Speed /min</b>	8 ft / 2.5 m	<b>Contactors</b>	TECO 12 AMP
<b>Number of Speeds</b>	1 Speed	<b>Load Chain Type</b>	G80
<b>Voltage</b>	1 Phase 110~120V 60Hz	<b>Load Chain Size</b>	8x24 mm
<b>Total Power Watts</b>	750W	<b>Chain Falls</b>	2
<b>Duty Class</b>	H2/M3/1Bm/Class B	<b>Chain Length</b>	40 ft / 12 m
<b>Motor/Engine Power</b>	0.75 kW	<b>Humidity</b>	<85%
<b>Motor AMP</b>	8	<b>Temperature</b>	-4 ~ 104° F / -20 ~ 40° C
<b>Motor Brake</b>	Yes	<b>Noise Level</b>	70 dB
<b>Insulation Grade</b>	F	<b>Minimum Turn Radius</b>	
<b>IEC Motor Protection</b>	IP54	<b>Standards Compliance</b>	ASME HST-1 , ASME B30.16 , EN14492-2 , EN60204-32
<b>Control</b>	Pendant Control and Optional Wireless	<b>Warranty</b>	3 Year

**PWHF500u**



- Light die-casting aluminium housing.
- Electromagnetic Safe Brake holds load with no power.
- Upper and lower limit switches prevent over-travel
- 14ft Pendant Control with Emergency Stop switch
- Overload Protection
- Forged 360° swivel hook

**PWHF1000u**



- Carcasa de aluminio fundido a presión.
- Freno de Seguridad Electromagnético que sostiene la carga sin energía.
- Interruptores de límite Superior e Inferior para prevenir sobrecarrera.
- Botonera de control con 4 metros e interruptor de parada de emergencia.
- Protección de sobre carga.
- Gancho Forjado de giro libre 360

## Unit Weight & Dimensions

<b>H Minimum Headroom</b>	31 in / 800 mm
<b>D Depth</b>	300 mm
<b>A Total Height</b>	865 mm
<b>W Width</b>	22 in / 560 mm
<b>Total Unit Weight</b>	171 lbs / 78 Kg

## Packaging Weight & Dimensions

<b>Package 1 Net Weight</b>	171 lbs / 78 Kg
<b>Package 1 Width</b>	14 in / 35.56 cm
<b>Package 1 Gross Weight</b>	171 lbs / 78 Kg
<b>Package 1 Height</b>	22 in / 55.88 cm
<b>Package 1 Length</b>	32 in / 81.28 cm