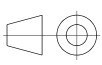
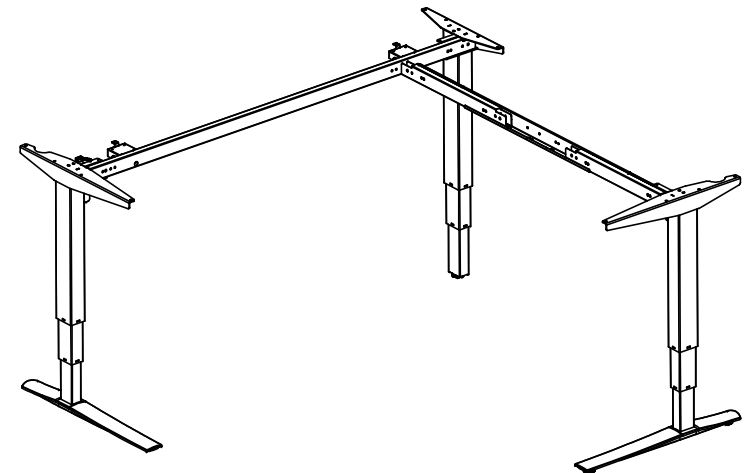
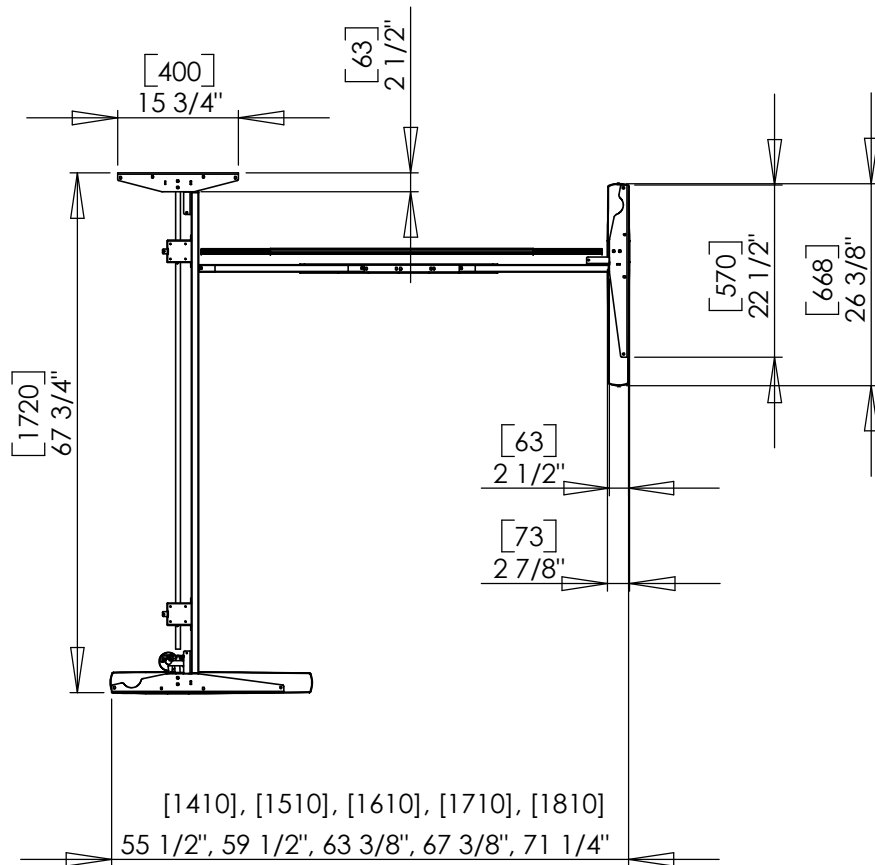
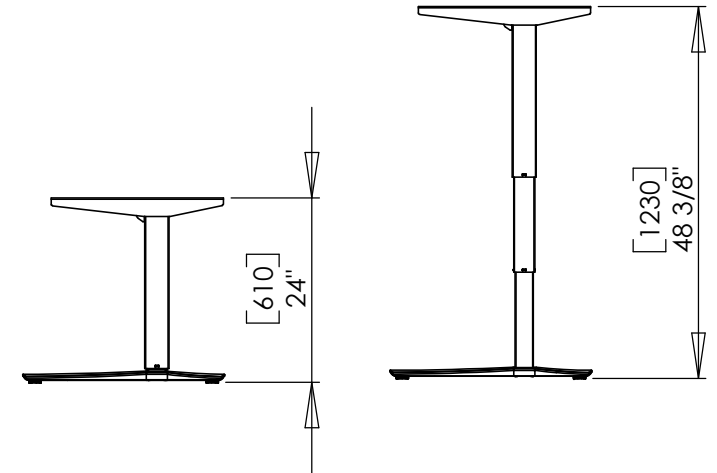
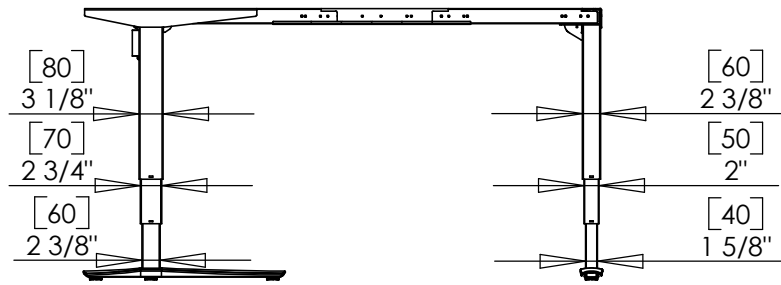


DO NOT SCALE DRAWING SHEET 1 OF 2		WEIGHT:				ConSet A/S Industrivej 23 DK-6900 Skjern Denmark www.conset.com	
UNLESS OTHERWISE SPECIFIED: DIMENSIONS ARE IN MILLIMETERS TOLERANCES: LINEAR: According to ANGULAR: DIN 7168-m		NAME		DATE		TITLE:	
		DRAWN jo		20-10-2016		501-43 XX172-172A	
PROPRIETARY AND CONFIDENTIAL THE INFORMATION CONTAINED IN THIS DRAWING IS THE SOLE PROPERTY OF CONSET A/S. ANY REPRODUCTION IN PART OR AS A WHOLE WITHOUT THE WRITTEN PERMISSION OF CONSET A/S IS PROHIBITED.		CHECKED		Processes: assembly			
		Remarks:				141790	



DO NOT SCALE DRAWING	SHEET 2 OF 2			ConSet A/S Industrivej 23 DK-6900 Skjern Denmark
UNLESS OTHERWISE SPECIFIED: DIMENSIONS ARE IN MILLIMETERS TOLERANCES: LINEAR: According to ANGULAR: DIN 7168-m	DRAWN	NAME jo	DATE 20-10-2016	TITLE: 501-43 XX172-172A
	CHECKED	Processes: assembly		DWG NO. 141790
PROPRIETARY AND CONFIDENTIAL THE INFORMATION CONTAINED IN THIS DRAWING IS THE SOLE PROPERTY OF CONSET A/S. ANY REPRODUCTION IN PART OR AS A WHOLE WITHOUT THE WRITTEN PERMISSION OF CONSET A/S IS PROHIBITED.	WEIGHT:			REVISION 0