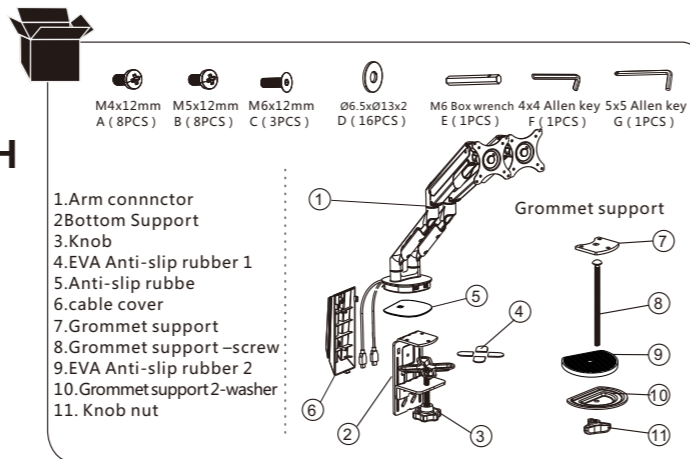


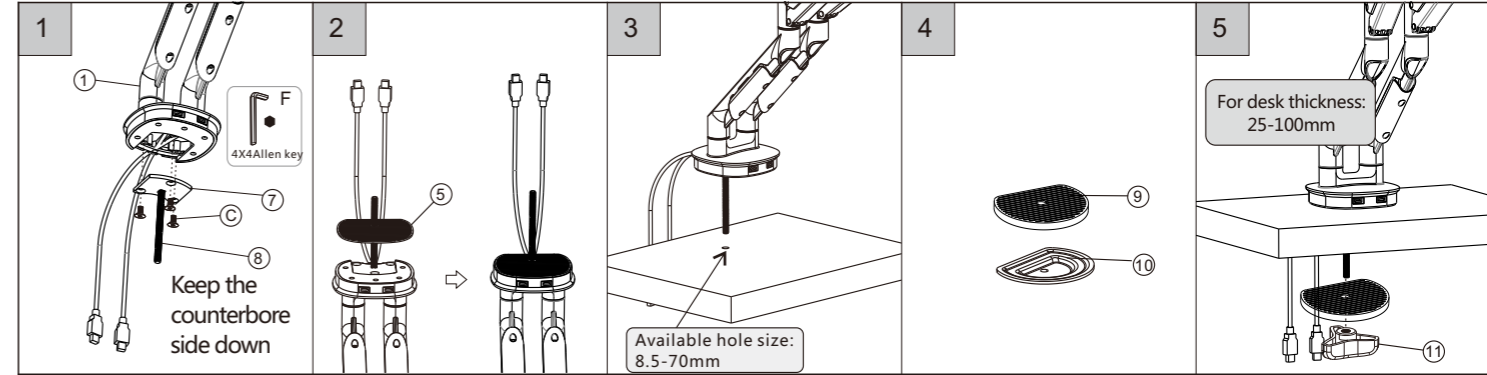
Item No.: AEMCUT2WH

Installation guide
 Guide d'installation
 Installationsanleitung
 Guia de instalación
 Guia de Instalação
 دليل التركيب
 Guida d'installazione
 組み立ての説明
 Инструкция по установке
 安装说明



STEP2-B

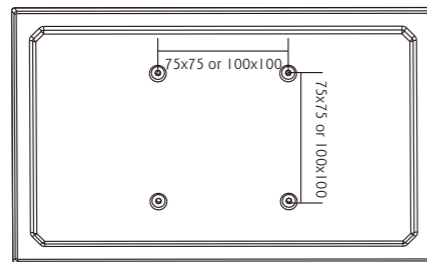
Option 2: Grommet



STEP1

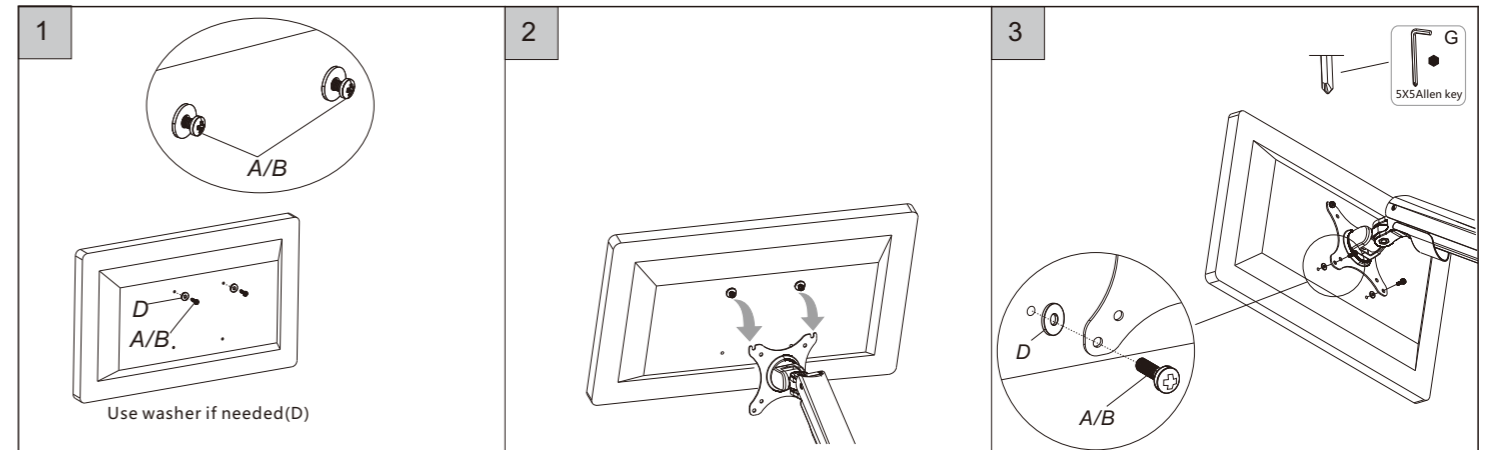
Preparations before installing monitor

1. Make sure there are VESA holes 100x100mm or 75x75mm in the monitor. If not, the mount couldn't be installed.
2. Remove the original fixed base of monitor. Be careful not to scratch the screen.



STEP3

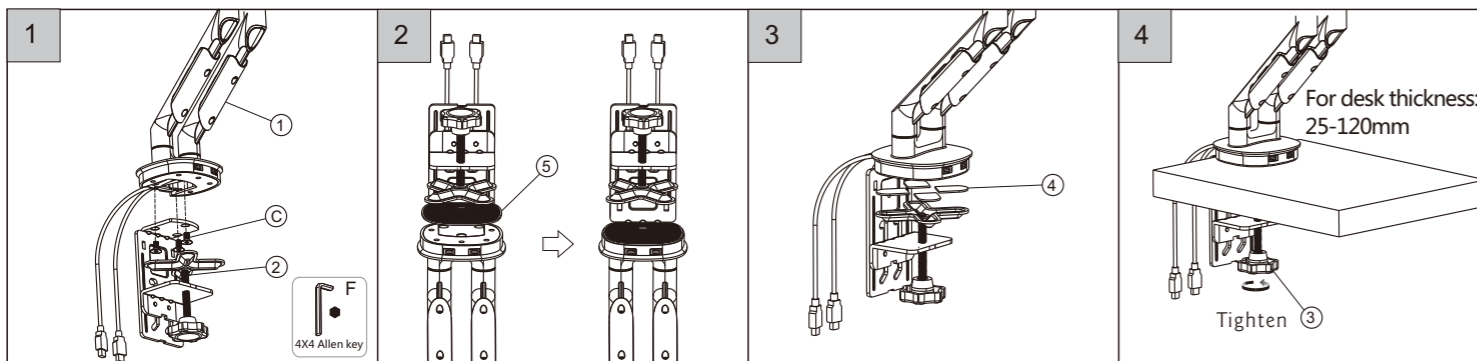
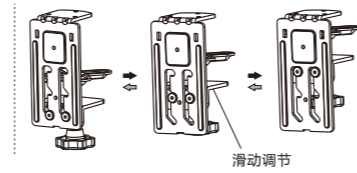
Install the monitor to the plate



STEP2-A

Option 1: Clamp

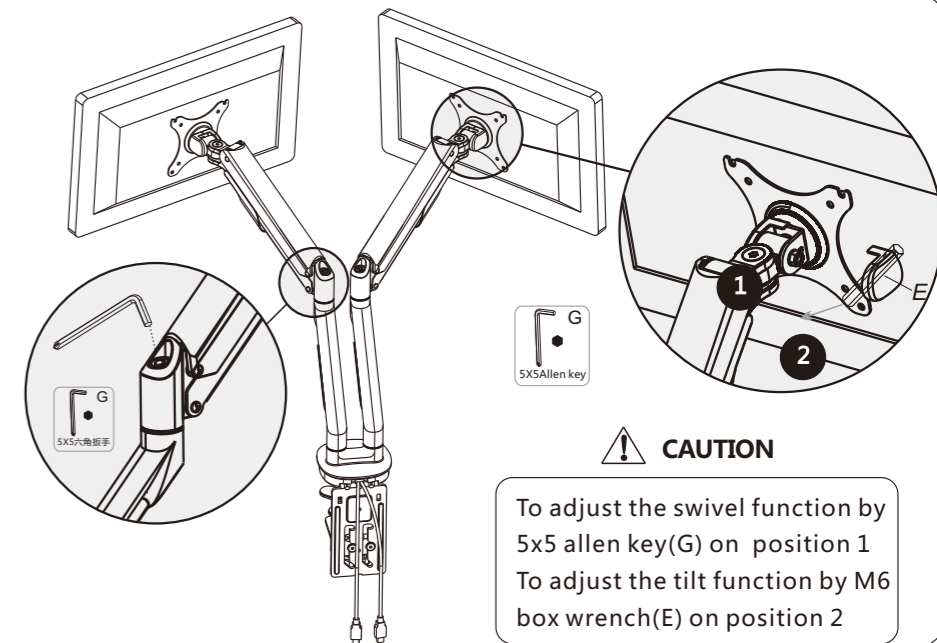
select proper position according to thickness of desk



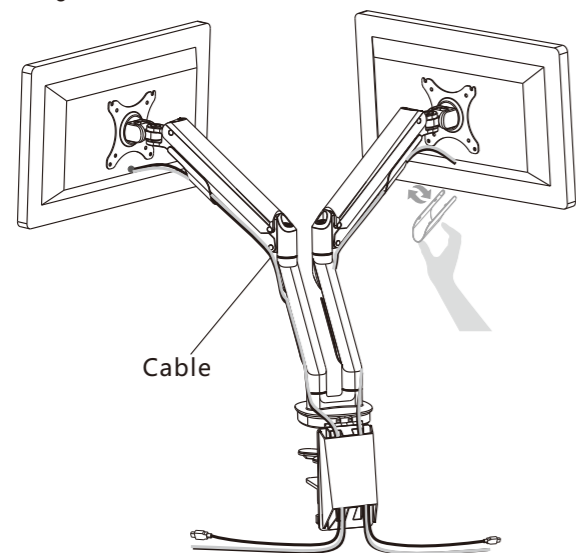
STEP4

Adjust the monitor

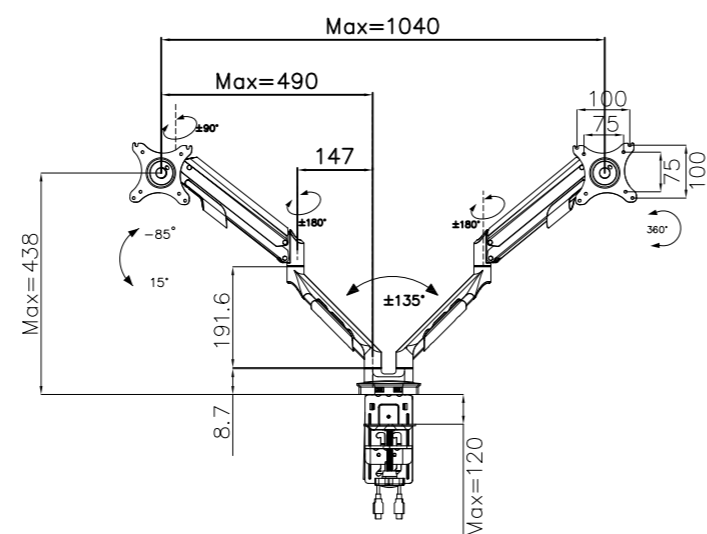
⚠ If the monitor cannot stop at any height, pls use 5x5 allen key(G) to adjust the screw on the arm.
 Pls adjust the scw in "-" direction when the monito up and "+" direction when it down Factory setting: 4-5KG



Using cord management



Specification



CAUTION

This product contains small items that could be a choking hazard if swallowed. Keep these items away from young children.

- Make Sure these instructions are read and completely understood before attempting installation. If you are unsure of any part of this installation, please contact a professional installer for assistance.
- The desk or mounting surface must be capable of supporting the combined weight of the mount and the display, otherwise the structure must be reinforced.
- Safety gear and proper tools must be used. A minimum of two people are required for this installation. Failure to use safety gear can result in property damage, serious injury or death.
- please check joint parts every two months, making sure the screws are loosened or not.

This product was designed to be installed on desk. Before installing, make sure the mount will support the combined load of the equipment and hardware. Never exceed the maximum load capacity 9 KG, or else it may result in product failure or personal injury.

Note: this product is intended for indoor use only. Use of this product outdoors could lead to product failure or personal injury.

Warning: This product contains high pressure gas spring parts, please do not put it into fire, high temperature, or disassemble it, which will lead to unexpected personal injury. The obsolete products can be sent back to the manufacturer or handed over to professional institutions.

To ensure the sealing performance of the gas spring, it is suggested to have complete adjustment to the upper arm (with spring) one time or several times every month.