



FKWS18 - Wall Sconce

PLEASE READ ALL THE INSTRUCTIONS BEFORE USE



duronic.com



[duronic](https://www.youtube.com/channel/UCduronic)



[@duronicmedia](https://www.instagram.com/duronicmedia)



[Duronic](https://www.facebook.com/Duronic)



[@duronicmedia](https://www.twitter.com/duronicmedia)

Contents

English Manual	3
Manuel d'utilisation en français	13
Gebrauchsanleitung auf Deutsch	23
Manual de Instrucciones en Español	33
Manuale D'istruzioni In Italiano	43
Instrukcja obsługi. Polski	53

English Manual

Safety Information

Please read these instructions fully and keep for future reference.

- This appliance is for indoor/household use only. Do not use outdoors.
- This fly trap is not to be used in garages, sheds, barns, horse stables or any out-house building where flammable material is present, or in any locations where flammable vapour or explosive dust may exist.
- This appliance is not designed for commercial or industrial use; it is for household use only.
- Make sure the electrical voltage is the same as that indicated on the rating plate of the appliance.
- This appliance is not intended for use by persons (including children) with reduced physical, sensory or mental capabilities, or lack of experience and knowledge, unless they have been given supervision or instruction concerning use of the appliance by a person responsible for their safety.
- Children should be closely supervised at all times to ensure that they do not play with the appliance.
- Never carry the appliance by the power cable.



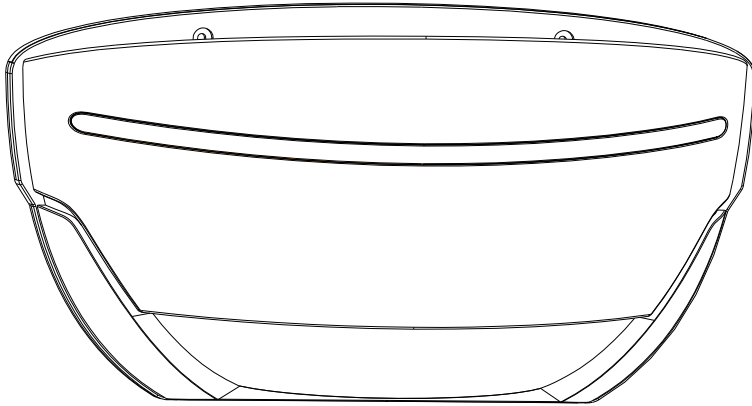
WARNING: If the machine is operated with a defective or damaged mains cable, there is a potential danger of fatal electric shock.

Never use a machine which is damaged or has a damaged mains cable.

- If either the appliance or power cable are damaged, return it to Duronic for service or repair by professional technician.

- Only connect the appliance to an electrical outlet with the voltage and frequency mentioned on the appliance label.
- Never try to replace the parts and repair the unit by yourself, apart from replacing the bulb and adhesive boards.
- Do not modify the machine in any way that is not described in the instructions for use. The machine contains live parts. Repairs may only be carried out by Duronic, using original spare parts and accessories.
- Always operate the appliance on a dry, smooth, even and stable surface. Do not place the unit on a damaged wall or a wall covered in damp/mould.
- Do not operate the machine or handle the plug with wet hands.
- Do not immerse in water or other liquids. Cleaning should be done as per instructions in this manual.
- Keep the light away from flammable objects such as curtains, and away from flammable liquids or gases as there is a danger of explosion.
- When installing, position the light away from windows or doors to avoid interference from draft and daylight.
- For hygiene reasons, it is best that this light is not positioned near places where food will be prepared or served.
- This appliance is only suitable for wall mounting.

Specifications



Model:	FKWS18
Power:	18W
Size:	37.5 x 14 x 19.6 cm
Weight:	1.16 kg
Bulb type:	UV bulb: 18W PL BL
Glue boards included:	5

Included in the Box

- Wall sconce fixture
- 2x screws
- 2x raw plugs
- 5x glue boards
- 1x UV bulb

About the FKWS18 Wall Sconce

Flying insects are naturally attracted to ultra-violet light. This fly catcher has an ultra-violet (UV) bulb that proves to be utterly irresistible to flying insects. Once the flies are attracted into the device, they will come to rest on the adhesive-coated glue board inside and become permanently captured. Once the board is full, it can quickly and easily be replaced. It is easy to check as the front of the device lifts up to enable easy access to the adhesive board.

Your FKWS18 comes with 5 adhesive sheets. If you need more, you can order these separately from Duronic (Shine-Mart Ltd).

Designed with an ornate elegant design, this light fixing will fit in beautifully with any interior design.

No chemical substances are involved, so this appliance is safe to use for humans and pets. The ultra-violet light provides an odorless, noiseless and safe method of ridding your home of pesky flying insects.

Before Installing

1. Remove the device from the package carefully. Check the body and parts for any potential shipping damage.
2. Check the position of the bulb and the glue board to see if they are positioned correctly.
3. Connect the device to the nearest mains electrical socket to test the light.
4. If the bulb lights up immediately, proceed to installing the lamp.
5. If the bulb doesn't light up, refer to the troubleshooting section to determine the issue.

Installation

Preparation:

- Ensure that the light is installed above eye level (at least 70 inches from the floor) so that it is out of the line of anyone's sight, and so that no one can bump into the fixture.
- Install the light close to the area where flies come in, but away from any draft or wind.
- Choose a location with high insect density, close to an electrical outlet (hard wired availability) and easy serviceability.
- Do not install the lamp near any competing light sources, such as bright sunlit windows, indoor lighting fixtures etc. as this will render the FKWS18 light useless.
- The distance between the lamp and the ceiling should be 24" or more for maximum light attraction.

Instruction:

1. Lift the front cover and remove the UV bulb to avoid causing any damage to it during the installation.
2. Hold the back plate of the fixture against the wall in your chosen location. Determine the location you would like to install the light and mark the screws' locations with a pencil.
3. Place the fixture aside. Drill holes on the marked locations and insert the plastic raw plugs.
4. Next reposition the light fixing over the top of the holes you have prepared, and insert one screw and tighten with a screw driver. Then repeat this for the next screw.
5. Install the bulb and the sticky glue board. Note that the sticky side of the board should be placed facing up.
6. Close the cover of the light.
7. Plug in the power cable into the mains power socket and switch on. Your light should immediately illuminate.

NOTE: If you do not use the appliance for an extended period, ensure you remove the plug from the electrical socket.

Maintenance

Replacing the Adhesive Glue Board

It's recommended to replace the glue board every 1-2 months.

To replace the glue board:

1. Unplug the power cable and wait for 5 minutes for the bulb to cool down.
2. Lift the front cover and remove the old sticky glue board.
3. Install a new sticky glue board with the sticky side facing the bulb.
4. Close the front shell.
5. Re-connect the power cable by plugging it back into the mains socket and switching on.

Replacing the UV Bulb

It is recommended to replace the UV bulb after around 5000 hours of normal operation.

To replace the bulb:

1. Unplug the power cord and wait for 5 minutes for the bulb to cool down.
2. Lift the front cover and remove the old UV bulb by rotating it.
3. Insert the new UV bulb in reversed rotation.
4. Close the front cover.
5. Re-connect the power cable by plugging it back into the mains socket.



IMPORTANT: Ensure that disposal of the old UV bulb is done responsibly and in line with the local council's waste and recycling regulations.

Maintenance (continued)

Cleaning:

Before cleaning, ensure the power cable is unplugged from the mains socket.

To clean the light fixing, use a dry dusting cloth to remove any dust and dirt that has collected over time.

When finished, check the bulb and glue board are in the correct position, then plug the cable back into the plug socket.

Troubleshooting Guide

Issue	Solution/s
<p>The bulb doesn't light up when I connect it to the mains socket.</p>	<p>A. Check if the bulb has popped out of the correct seating position during shipping.</p> <p>B. Check if the power cable is plugged into the mains plug socket.</p> <p>C. Unplug the power cable, lift the front cover of the light and rotate the bulb slightly to adjust the contact point between the bulb and the bulb holders.</p>
<p>The light flickers when it lights up.</p>	<p>It's normal for a new fluorescent light bulb to flicker when used for the first time.</p> <p>Unplug the power cable and plug it back after a few seconds. Leave the lamp on for 48 hours and the flicker should not occur again.</p> <p>If the issue persists after 48 hours, please contact Duronic Customer Care Team for further assistance.</p>

Warranty

1 Year Guarantee from Shine-Mart Ltd, Trademark owners of Duronic Products.
 NOTE: THESE STATEMENTS DO NOT AFFECT YOUR STATUTORY RIGHTS AS A CONSUMER

This product has been manufactured under the strictest or quality control procedures, and using the highest quality of materials, to ensure excellent performance and reliability. It will give very good and long lasting service, provided it is properly used and maintained. The product is guaranteed for 1 years from the date of original purchase. If any defect arises due to a faulty materials or poor workmanship, the faulty product must be returned to the original place of purchase. Refund or replacement is at the discretion of that company.

Duronic Products are offered with a 1 year guarantee under the following conditions:

1. The product must be returned to the retailer with original proof of purchase.
2. The product must be installed and used in accordance with the instructions contained in this operating manual.
3. It must be used only for domestic purposes.
4. It does not cover wear and tear, malicious damage, misuse, neglect, inexpert repairs or consumable parts.
5. Shine-Mart Ltd has no responsibilities for accidental or consequential loss or damage.
6. Shine-Mart Ltd are not liable to carry out any type of servicing work, under the guarantee
7. Valid in the UK only



This product is fitted with CE:1363 plug and fuse
 Imported by Shine-Mart Ltd, RM3 8SB



Information on waste Disposal for Consumers of
 Electrical & Electronic Equipment.

This mark on a product and/or accompanying documents indicates that when it is to be disposed of, it must be treated as Waste Electrical & Electronic Equipment, (WEEE).

Any WEEE marked products must not be mixed with general household waste, but kept separate for the treatment, recovery and recycling of the materials used.

For proper treatment, recovery and recycling; please take all WEEE marked waste to your Local Authority Civic waste site, where it will be accepted free of charge.

If customers dispose of Waste Electrical & Electronic Equipment correctly, they will be helping to save valuable resources and preventing any potential negative effects upon human health and the environment, of any hazardous materials that the waste may contain.

Follow Us



duronic.com



[duronic](https://www.youtube.com/duronic)



[@duronicmedia](https://www.instagram.com/duronicmedia)



[Duronic](https://www.facebook.com/Duronic)



[@duronicmedia](https://twitter.com/duronicmedia)

Manuel d'utilisation en Français

Safety Information

Please read these instructions fully and keep for future reference.

- This appliance is for indoor/household use only. Do not use outdoors.
- This fly trap is not to be used in garages, sheds, barns, horse stables or any out-house building where flammable material is present, or in any locations where flammable vapour or explosive dust may exist.
- This appliance is not designed for commercial or industrial use; it is for household use only.
- Make sure the electrical voltage is the same as that indicated on the rating plate of the appliance.
- This appliance is not intended for use by persons (including children) with reduced physical, sensory or mental capabilities, or lack of experience and knowledge, unless they have been given supervision or instruction concerning use of the appliance by a person responsible for their safety.
- Children should be closely supervised at all times to ensure that they do not play with the appliance.
- Never carry the appliance by the power cable.



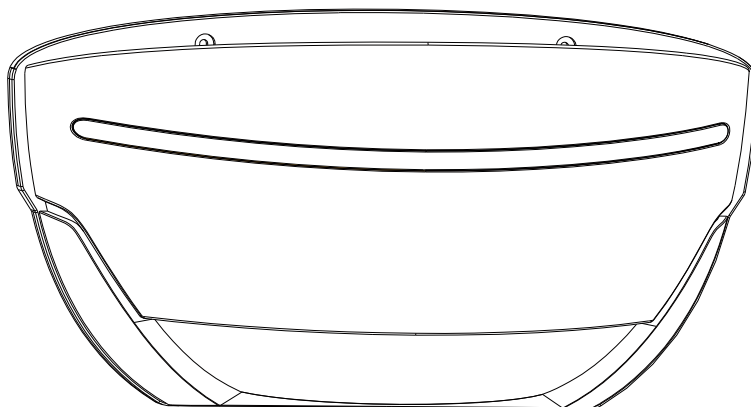
WARNING: If the machine is operated with a defective or damaged mains cable, there is a potential danger of fatal electric shock.

Never use a machine which is damaged or has a damaged mains cable.

- If either the appliance or power cable are damaged, return it to Duronic for service or repair by professional technician.

- Only connect the appliance to an electrical outlet with the voltage and frequency mentioned on the appliance label.
- Never try to replace the parts and repair the unit by yourself, apart from replacing the bulb and adhesive boards.
- Do not modify the machine in any way that is not described in the instructions for use. The machine contains live parts. Repairs may only be carried out by Duronic, using original spare parts and accessories.
- Always operate the appliance on a dry, smooth, even and stable surface. Do not place the unit on a damaged wall or a wall covered in damp/mould.
- Do not operate the machine or handle the plug with wet hands.
- Do not immerse in water or other liquids. Cleaning should be done as per instructions in this manual.
- Keep the light away from flammable objects such as curtains, and away from flammable liquids or gases as there is a danger of explosion.
- When installing, position the light away from windows or doors to avoid interference from draft and daylight.
- For hygiene reasons, it is best that this light is not positioned near places where food will be prepared or served.
- This appliance is only suitable for wall mounting.

Specifications



Model:	FKWS18
Power:	18W
Size:	37.5 x 14 x 19.6 cm
Weight:	1.16 kg
Bulb type:	UV bulb: 18W PL BL
Glue boards included:	5

Included in the Box

- Wall sconce fixture
- 2x screws
- 2x raw plugs
- 5x glue boards
- 1x UV bulb

About the FKWS18 Wall Sconce

Flying insects are naturally attracted to ultra-violet light. This fly catcher has an ultra-violet (UV) bulb that proves to be utterly irresistible to flying insects. Once the flies are attracted into the device, they will come to rest on the adhesive-coated glue board inside and become permanently captured. Once the board is full, it can quickly and easily be replaced. It is easy to check as the front of the device lifts up to enable easy access to the adhesive board.

Your FKWS18 comes with 5 adhesive sheets. If you need more, you can order these separately from Duronic (Shine-Mart Ltd).

Designed with an ornate elegant design, this light fixing will fit in beautifully with any interior design.

No chemical substances are involved, so this appliance is safe to use for humans and pets. The ultra-violet light provides an odorless, noiseless and safe method of ridding your home of pesky flying insects.

Before Installing

1. Remove the device from the package carefully. Check the body and parts for any potential shipping damage.
2. Check the position of the bulb and the glue board to see if they are positioned correctly.
3. Connect the device to the nearest mains electrical socket to test the light.
4. If the bulb lights up immediately, proceed to installing the lamp.
5. If the bulb doesn't light up, refer to the troubleshooting section to determine the issue.

Installation

Preparation:

- Ensure that the light is installed above eye level (at least 70 inches from the floor) so that it is out of the line of anyone's sight, and so that no one can bump into the fixture.
- Install the light close to the area where flies come in, but away from any draft or wind.
- Choose a location with high insect density, close to an electrical outlet (hard wired availability) and easy serviceability.
- Do not install the lamp near any competing light sources, such as bright sunlit windows, indoor lighting fixtures etc. as this will render the FKWS18 light useless.
- The distance between the lamp and the ceiling should be 24" or more for maximum light attraction.

Instruction:

1. Lift the front cover and remove the UV bulb to avoid causing any damage to it during the installation.
2. Hold the back plate of the fixture against the wall in your chosen location. Determine the location you would like to install the light and mark the screws' locations with a pencil.
3. Place the fixture aside. Drill holes on the marked locations and insert the plastic raw plugs.
4. Next reposition the light fixing over the top of the holes you have prepared, and insert one screw and tighten with a screw driver. Then repeat this for the next screw.
5. Install the bulb and the sticky glue board. Note that the sticky side of the board should be placed facing up.
6. Close the cover of the light.
7. Plug in the power cable into the mains power socket and switch on. Your light should immediately illuminate.

NOTE: If you do not use the appliance for an extended period, ensure you remove the plug from the electrical socket.

Maintenance

Replacing the Adhesive Glue Board

It's recommended to replace the glue board every 1-2 months.

To replace the glue board:

1. Unplug the power cable and wait for 5 minutes for the bulb to cool down.
2. Lift the front cover and remove the old sticky glue board.
3. Install a new sticky glue board with the sticky side facing the bulb.
4. Close the front shell.
5. Re-connect the power cable by plugging it back into the mains socket and switching on.

Replacing the UV Bulb

It is recommended to replace the UV bulb after around 5000 hours of normal operation.

To replace the bulb:

1. Unplug the power cord and wait for 5 minutes for the bulb to cool down.
2. Lift the front cover and remove the old UV bulb by rotating it.
3. Insert the new UV bulb in reversed rotation.
4. Close the front cover.
5. Re-connect the power cable by plugging it back into the mains socket.



IMPORTANT: Ensure that disposal of the old UV bulb is done responsibly and in line with the local council's waste and recycling regulations.

Maintenance (continued)

Cleaning:

Before cleaning, ensure the power cable is unplugged from the mains socket.

To clean the light fixing, use a dry dusting cloth to remove any dust and dirt that has collected over time.

When finished, check the bulb and glue board are in the correct position, then plug the cable back into the plug socket.

Troubleshooting Guide

Issue	Solution/s
<p>The bulb doesn't light up when I connect it to the mains socket.</p>	<p>A. Check if the bulb has popped out of the correct seating position during shipping.</p> <p>B. Check if the power cable is plugged into the mains plug socket.</p> <p>C. Unplug the power cable, lift the front cover of the light and rotate the bulb slightly to adjust the contact point between the bulb and the bulb holders.</p>
<p>The light flickers when it lights up.</p>	<p>It's normal for a new fluorescent light bulb to flicker when used for the first time.</p> <p>Unplug the power cable and plug it back after a few seconds. Leave the lamp on for 48 hours and the flicker should not occur again.</p> <p>If the issue persists after 48 hours, please contact Duronic Customer Care Team for further assistance.</p>

Garantie

Garantie et service après-vente

1 an de garantie de la part de Shine-Mart Ltd, propriétaire de la marque Duronic.

NOTE : CES DÉCLARATIONS N'AFECTENT EN RIEN VOTRE DROIT STATUTAIRE EN TANT QUE CONSOMMATEUR

Ce produit a été produit en suivant les procédures de contrôle de qualité les plus strictes en utilisant des matériaux de qualité pour assurer une excellente durabilité et performance.

Cette centrifugeuse vous offrira de longues années de service tant que vous utilisez correctement cette machine et suivez les instructions de maintenance contenues dans ce manuel. Ce produit est garanti pour 1 an à partir de la date originelle d'achat. Si ce produit était endommagée en raison d'un problème électrique ou d'une fabrication imparfaite, le produit défectueux peut être remplacé au vendeur à la discrétion de la marque sous conditions:

1. Le produit doit être retourné avec la preuve originale d'achat.
2. Le produit doit être installé et utilisé en accord avec les instructions contenues dans ce manuel d'utilisation.
3. Le produit doit être réservé à un usage privé.
4. La garantie ne protège pas contre les dommages dus à l'usure normale, l'utilisation malveillante, la mauvaise utilisation, la négligence, les réparations conduites par des non-experts ainsi que les pièces consommables.
5. Shine-Mart Ltd ne porte pas de responsabilité pour tout dommage ou perte accidentel ou conséquent causé par ce produit.
6. Shine-Mart Ltd se dégage de toute responsabilité en matière de réparation durant la période de garantie.
7. Valide dans toute l'Union Européenne.



Ce produit est fourni avec une prise européenne et un fusible de 3 ampères.
Importé par Shine-Mart Ltd, RM3 8SB.



Ce symbole apparaît sur le produit et/ou les documents accompagnant ce produit pour indiquer que pour procéder à la destruction de ce produit, celui-ci doit être traité comme un déchet électrique et électronique (WEEE). Les produits marqués WEEE ne doivent être mélangés avec les déchets ménagers et doivent être séparés pour traitement et recyclage des composants. Afin de traiter et recycler ce produit, veuillez déposer tous les composants marqués WEEE au site de recyclage le plus proche où ce produit sera repris gratuitement. Si les clients jettent les déchets électriques et électroniques WEEE correctement, ce geste aidera la préservation de ressources précieuses et prévient les potentiels effets négatifs que ces composants ou tout autre composant dangereux ont sur la santé humaine et l'environnement.

suivez nous



www.duronic.com



[@duronic_france](https://www.instagram.com/duronic_france)



[Duronic France](https://www.facebook.com/Duronic France)



[@Duronic_France](https://www.twitter.com/Duronic_France)

Gebrauchsanleitung auf Deutsch

Sicherheitshinweise

Lesen Sie diese Anweisungen sorgfältig durch und bewahren Sie sie zum späteren Nachschlagen auf.

- Dieses Gerät ist nur für den Gebrauch in Innenräumen / zu Hause bestimmt. Nicht im Freien benutzen.
- Diese Insektenfalle darf nicht in Garagen, Schuppen, Ställen oder anderen Außengebäuden verwendet werden, in denen brennbares Material vorhanden ist, oder an Orten, an denen brennbare Dämpfe vorhanden sein können.
- Dieses Gerät ist nicht für den gewerblichen oder industriellen Gebrauch bestimmt. Es ist nur für den Heimgebrauch bestimmt.
- Überprüfen Sie die örtliche Stromstärke, bevor Sie dieses Gerät in Betrieb nehmen.
- Dieses Gerät ist nicht zur Verwendung durch Personen (einschließlich Kinder) mit eingeschränkten körperlichen, sensorischen oder geistigen Fähigkeiten oder mangelnder Erfahrung und mangelndem Wissen vorgesehen, es sei denn, sie wurden hinsichtlich der Verwendung des Geräts beaufsichtigt oder unterwiesen von einer für ihre Sicherheit verantwortlichen Person
- Kinder müssen jederzeit beaufsichtigt werden, um sicherzustellen, dass sie nicht mit dem Gerät spielen.
- Tragen Sie das Gerät niemals am Netzkabel.



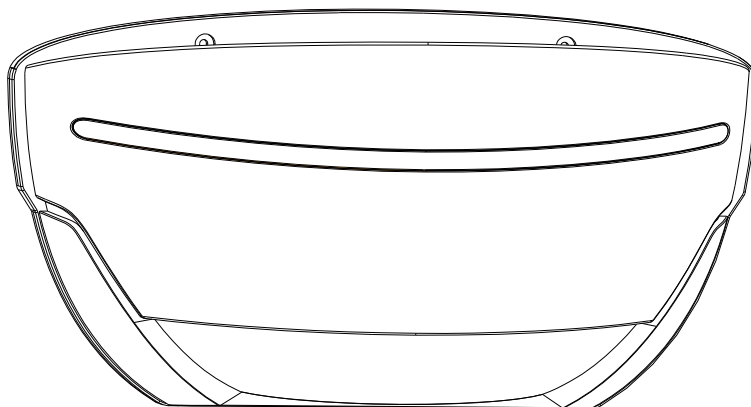
WARNUNG: Wenn die Insektenfalle mit einem defekten oder beschädigten Netzkabel verwendet wird, besteht die Gefahr eines tödlichen Stromschlags.

Verwenden Sie niemals ein beschädigtes Gerät mit einem beschädigten Netzkabel.

- Wenn das Gerät oder das Netzkabel beschädigt ist, senden Sie es zur Wartung oder Reparatur durch einen Fachmann an Duronic.

- Schließen Sie das Gerät nur an eine Steckdose mit der auf dem Gerät angegebenen Stromstärke an.
- Versuchen Sie niemals, das Gerät selbst zu reparieren, außer die Glühbirne und die Kleeblätter auszutauschen.
- Verändern Sie das Gerät nicht auf eine Weise, die nicht in der Gebrauchsanweisung beschrieben ist. Reparaturen dürfen nur von Duronic mit Originalersatzteilen und -zubehör durchgeführt werden.
- Verwenden Sie das Gerät immer auf einer trockenen, gleichmäßigen und stabilen Oberfläche.
- Benutzen Sie das Gerät nicht und fassen Sie den Stecker mit nassen Händen an.
- Tauchen Sie das Gerät nicht in Wasser oder andere Flüssigkeiten. Die Reinigung sollte gemäß den Anweisungen in diesem Handbuch durchgeführt werden.
- Halten Sie die Insektenfalle von brennbaren Gegenständen wie Gardinen und brennbaren Flüssigkeiten fern, da Explosionsgefahr besteht.
- Montieren Sie die Insektenfalle nicht in der Nähe von Fenstern oder Türen.
- Aus hygienischen Gründen wird empfohlen, diese Insektenfalle nicht in der Nähe Lebensmittel zu montieren.
- Dieses Gerät ist nur zur Wandmontage geeignet.

Technische Daten



Modell:	FKWS18
Leistung:	18W
Abmessungen:	37.5 x 14 x 19.6 cm
Gewicht:	1.16 kg
Lampe:	UV Lampe 18W PL BL
Klebeblätter:	5

Packungsinhalt

- Applique für die Falle
- 2x Schrauben
- 2x Dübel
- 5x Klebeblätter
- 1x UV-Lampe

Über die FKWS18 Insektenfalle

Insekten werden von Natur aus von ultraviolettem Licht angezogen. Diese Falle hat eine UV-Lampe, die für Insekten absolut unwiderstehlich ist. Sobald die Fliegen vom Gerät angezogen werden, landen sie auf dem Klebeblatt und werden dauerhaft erfasst. Sobald das Blatt voll ist, kann es schnell und einfach ausgetauscht werden

Der FKWS18 wird mit 5 Klebeblätter geliefert. Wenn mehr Klebeblätter benötigt werden, können diese bei Duronic bestellt werden.

Diese Falle mit elegantem Design passt perfekt in jedem Ambiente.

Da die Insektenfalle keine Chemikalien nutzt, ist dieses Gerät Menschen und Haustiere freundlich. Ultraviolettes Licht bietet eine geruchsneutrale, geräuschlose und sichere Methode, um Ihr Zuhause von lästigen Insekten zu befreien.

Vor der Montage

1. Nehmen Sie das Gerät vorsichtig aus der Verpackung. Überprüfen Sie das Gehäuse und die Teile auf Transportschäden.
2. Überprüfen Sie die Lampe und die Klebeblätter, um sicherzustellen, dass sie richtig positioniert sind.
3. Schließen Sie das Gerät an die nächste Steckdose an, um das Licht zu testen.
4. 4. Wenn das Licht sofort aufleuchtet, fahren Sie mit der Montage der Insektenfalle fort.
5. Wenn sich die Lampe nicht einschaltet, lesen Sie den Abschnitt zur Fehlerbehebung, um das Problem zu ermitteln.

Montage

- Stellen Sie sicher, dass das Licht über Augenhöhe (mindestens 177 cm vom Boden) montiert wird, damit sich das Licht nicht auf Augenhöhe befindet.
 - Wählen Sie einen Ort mit einer hohen Insektdichte in der Nähe einer Steckdose, um die Reinigung zu erleichtern.
 - Montieren Sie die Falle nicht in der Nähe von Luftquellen oder Sonnenlicht, Fenstern, Innenbeleuchtung usw. Dadurch wird die FKWS18-Leuchte nutzlos.
 - Der Abstand zwischen der Falle und der Decke sollte 60 cm oder mehr betragen.
1. Heben Sie die vordere Abdeckung an und entfernen Sie die UV-Lampe, um Beschädigungen bei der Montage der Insektenfalle zu vermeiden.
 2. Halten Sie die Rückwand des Geräts in der gewählten Position an die Wand. Markieren Sie die Position der Schrauben mit einem Bleistift.
 3. Bohren Sie die zuvor mit dem Bleistift markierten Punkte und setzen Sie die Dübel ein.
 4. Setzen Sie dann die Falle wieder an die Wand in den zuvor vorbereiteten Löchern und setzen Sie eine Schraube ein und schrauben Sie diese mit einem Schraubendreher fest. Wiederholen Sie den Vorgang für die nächste Schraube.
 5. Setzen Sie die Lampe und die Klebeblätter ein. Beachten Sie, dass die Klebrige Seite des Blattes nach oben zeigen muss.
 6. Schließen Sie die Lichtabdeckung.
 7. Schließen Sie es an und schalten Sie es ein. Die Lampe sollte sofort aufleuchten.

WARNUNG: Wenn Sie das Gerät längere Zeit nicht nutzen, ziehen Sie den Stecker aus der Steckdose.

Wartung

Klebeblätter austauschen

Wir empfehlen, die Klebeblätter alle 1-2 Monate auszutauschen.

So ersetzen Sie die Klebeblätter:

1. Schalten Sie das Gerät aus und warten Sie 5 Minuten, bis sich die Lampe abgekühlt.
2. Heben Sie die vordere Abdeckung an und entfernen Sie das alte Klebeblatt.
3. Legen Sie eine neues Klebeblatt mit der Klebrigen Seite ein.
5. Schließen Sie die Abdeckung.
5. Schalten Sie das Gerät wieder an.

UV-Lampe austauschen

Es wird empfohlen, die UV-Lampe nach ca. 5000 Betriebsstunden auszutauschen.

1. Trennen Sie das Netzkabel und warten Sie 5 Minuten, bis sich die Lampe abgekühlt.
2. Heben Sie die Abdeckung an und entfernen Sie die alte UV-Lampe, indem Sie sie drehen.
3. Setzen Sie die neue UV-Lampe ein.
4. Schließen Sie die vordere Abdeckung.
5. Schalten Sie das Gerät wieder an.



Wichtig: Stellen Sie sicher, dass die alte UV-Lampe verantwortungsbewusst und gemäß den Vorschriften für Recycling entsorgt wird.

Wartung

Reinigung:

Stellen Sie vor dem Reinigen sicher, dass das Netzkabel aus der Steckdose gezogen ist.

Verwenden Sie zum Reinigen der Insektenfalle ein trockenes Tuch.

Wenn Sie fertig sind, überprüfen Sie, ob sich die Lampe und das Klebeblatt in der richtigen Position befinden, und schalten Sie das Gerät wieder an.

Fehlerbehebung

Problem	Lösung
Die Lampe schaltet sich nicht ein, wenn diese an die Steckdose angeschlossen ist.	<p>A. Überprüfen Sie, ob die Lampe nicht richtig angeschraubt ist.</p> <p>B. Überprüfen Sie, ob das Netzkabel in die Steckdose eingesteckt ist.</p> <p>C. Trennen Sie das Netzkabel, heben Sie die vordere Abdeckung der Insektenfalle an und drehen Sie die Lampe leicht, um den Kontaktpunkt zwischen der Lampe und der Falle einzustellen.</p>
Das Licht blinkt, wenn es angeschaltet ist.	<p>Es ist normal, dass eine neue UV-Lampe blinkt, wenn sie zum ersten Mal verwendet wird. Trennen Sie das Netzkabel und schließen Sie es nach einigen Sekunden wieder an. Lassen Sie die Lampe 48 Stunden lang eingeschaltet und das Blinken sollte sich nicht wiederholen.</p> <p>Wenn das Problem nach 48 Stunden weiterhin besteht, wenden Sie sich an den Duronic-Kundendienst, um weitere Unterstützung zu erhalten.</p>

Gewährleistung

Shine-Mart Ltd, der Markeninhaber von Duronic Produkten, bietet 1 Jahr Gewährleistung.

HINWEIS: DIESE BEDINGUNGEN BEEINFLUSSEN IHRE GESETZLICHE RECHTE ALS VERBRAUCHER NICHT

Dieses Produkt wurde unter strengen Qualitätskontrollen produziert und aus hochwertigen Materialien hergestellt, um ausgezeichnete Leistung und Zuverlässigkeit zu gewährleisten. Sofern das Produkt korrekt benutzt und gewartet wird, kann eine langlebige Lebensdauer erwartet werden.

Das Produkt hat eine Gewährleistung von einem Jahr ab Kaufdatum. Beim Auftreten eines Schadens, der von fehlerhaften Materialien oder Verarbeitung verursacht wurde, sollte das defekte Produkt an den ursprünglichen Verkäufer zurückgegeben werden. Die Erstattung oder Umtausch erfolgt nach Vorschriften des Unternehmens.

Duronic Produkte haben 1 Jahr Gewährleistung unter folgenden Bedingungen:

1. Das Produkt muss mit dem Kaufnachweis zurückgegeben werden.
2. Das Produkt muss unter den Anweisungen und Anleitungen installiert und benutzt worden sein.
3. Es muss ausschließlich für den Hausgebrauch genutzt worden sein.
4. Natürliche Abnutzung oder Verschleiß, böswillige Beschädigung, Missbrauch, Vernachlässigung und unsachgemäße Reparaturen sind von der Gewährleistung ausgeschlossen.
5. Shine-Mart Ltd übernimmt keine Verantwortung für zufällige oder Folgeschäden.
6. Shine-Mart Ltd ist nicht für Wartungsarbeiten zuständig. Diese fallen nicht unter die Gewährleistung.
7. Gültig in der EU



Dieses Produkt ist mit fitted CE geprüfte Typ-F
Euro Stecker/BS Stecker ausgestattet
Von Shine-Mart Ltd, RM3 8SB importiert



Information über Abfalllagerung für Verbraucher von elektronischen Geräten.
Dieses Zeichen auf dem Produkt und/oder auf mitgelieferte Dokumenten zeigt, dass, wenn eine Entsorgung erfolgt, das Gerät an einer Elektro- und Elektronikgeräte-Abfall-Sammelstelle (WEEE) abgegeben werden muss.
Um eine weitere Behandlung und Weiterverarbeitung der Materialien zu gewährleisten dürfen diese WEEE-markierten Produkte nicht mit dem Hausmüll vermischt werden.
Für die korrekte Behandlung, Aufbereitung und Wiederverwendung geben Sie alle WEEE-markierten Produkte zur kommunalen Abfallbeseitigungsanlage. Dort können Sie diese kostenlos abgeben.
Wenn die Beseitigung von Elektro- und Elektronik-Altgeräten korrekt durchgeführt wird, tragen Sie zur Gewinnung von wertvollen Ressourcen bei, sowie einer möglichen Vermeidung von negativen Auswirkungen auf Gesundheit und Umwelt.

Folgen Sie Uns



duronic.com

Manual De Instrucciones En Español

Instrucciones de seguridad

Lea este manual con atención y consérvelo para futuras consultas

- Utilice este aparato en un espacio interior/doméstico. No se recomienda su uso en el exterior.
- Esta trampa para insectos no debe utilizarse en garajes, cobertizos, graneros, establos para caballos, edificios exteriores donde haya material inflamable o en cualquier lugar donde pueda haber gases o sustancias combustibles.
- Este aparato no se ha creado con un fin comercial o industrial. Su uso es doméstico.
- Antes de conectar el aparato a la toma de corriente, asegúrese de que el voltaje que se indica en la etiqueta de clasificación energética (situada en la parte inferior) corresponde al de su hogar.
- No se recomienda la operación de este aparato por personas adultas o niños con capacidades físicas, sensoriales o mentales reducidas a menos que se encuentren bajo la supervisión de una persona responsable de su seguridad.
- Mantenga este aparato fuera del alcance de los niños y asegúrese de que no juegan con este.
- No arrastre el aparato por el cable.

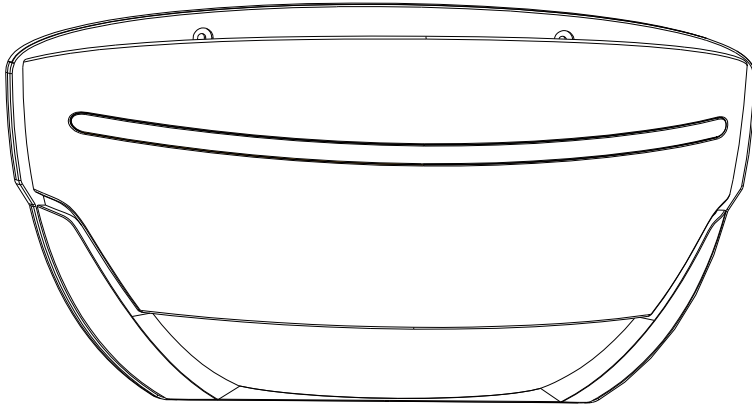


ADVERTENCIA: Tenga en cuenta que si se usa el aparato y algún cable está dañado o estropeado, corre el riesgo de sufrir una descarga eléctrica mortal. Nunca use un aparato electrónico estropeado.

- Nunca utilice el aparato si el cable o la unidad no funcionan correctamente. Si la lámpara o el cable se ha estropeado, devuélvalo al servicio de Duronic o póngase en contacto con un técnico profesional para repararlo.

- Conecte la lámpara sólo a una toma de corriente con la tensión y la frecuencia indicadas en la etiqueta del aparato.
- No intente reemplazar alguna pieza o reparar el aparato usted mismo. Solo cambie la bombilla y la lámina adhesiva.
- Nunca desmonte el aparato con el fin de arreglarlo usted. No realice modificaciones que no se describan en el manual de instrucciones ya que el aparato contiene piezas móviles. Duronic es el responsable de las reparaciones puesto que se necesitan recambios y accesorios de la marca original.
- Utilice el aparato sobre una superficie plana, estable y resistente al calor. No coloque el aparato en una pared con grietas, humedad o moho.
- No conecte o desconecte el aparato de la corriente con las manos mojadas.
- Nunca sumerja el aparato en agua u otros líquidos. La limpieza de este calefactor debe realizarse según se indica en las instrucciones.
- Mantenga la lámpara alejada de objetos que puedan prender, como por ejemplo unas cortinas, y de líquidos o gases inflamables, ya que existe peligro de explosión.
- Al instalarlo, coloque la lámpara lejos de ventanas y puertas para evitar la interferencia de las corrientes de aire y la luz diurna.
- Por higiene, no coloque la lámpara cerca de lugares donde se vaya a servir comida.
- Este aparato está diseñado para instalarse en una pared.

Características técnicas



Modelo:	FKWS18
Voltaje	18 W
Tamaño:	37.5 x 14 x 19.6 cm
Peso:	1.16 kg
Bombilla:	luz UV: 18W PL BL
Láminas adhesivas:	5

Contenido de la caja

- Lámpara de pared
- 2x Tornillos
- 2x Tacos de plástico
- 5x Láminas adhesivas
- 1x Bombilla UV

Lámpara mata insectos FKWS18

La luz ultravioleta atrae a los insectos voladores, es por eso que esta lámpara tiene una bombilla ultravioleta (UV) que hace que todo este tipo de insectos vayan hacia ella. Para retenerlas, hay unas láminas adhesivas tras las bombillas UV que retienen a los insectos. Estas láminas pueden reemplazarse fácil y rápidamente con tan solo levantar la parte frontal de la lámpara.

La lámpara FKWS18 viene con 5 trampas adhesivas. En caso de necesitar más, puede pedirlos por separado a Duronic (Shine-Mart Ltd). Su elegante y discreto diseño encajará perfectamente allá donde quiera colocarlo.

Esta lámpara es segura para personas y animales domésticos puesto que no contiene sustancias químicas. La luz ultravioleta es un método seguro, inodoro y silencioso para deshacerse de los insectos voladores que tanto le incordian.

Antes de la instalación

1. Saque el aparato del paquete con cuidado y compruebe si alguna parte se ha podido dañar durante el transporte.
2. Compruebe la posición de la bombilla y la lámina adhesiva para ver si están colocadas correctamente.
3. Conecte la lámpara a la toma de corriente más cercana para comprobar que la luz funciona.
4. Si la bombilla se enciende inmediatamente, proceda a instalar la lámpara.
5. Si la bombilla no se enciende, consulte la sección de resolución de problemas para identificar el problema.

Instalación

Preparación:

- Asegúrese de que la luz se instala por encima del nivel de los ojos, al menos a 1.8 metros del suelo, de manera que esté fuera de la línea de visión de las personas y que nadie pueda chocarse con el aparato.
- Instale la luz cerca del área por donde entran las moscas, pero lejos de cualquier corriente de aire o viento.
- Elija un lugar con mucha concentración de insectos y que esté cerca de una toma de corriente.
- No instale la lámpara cerca de cualquier otra luz, como, por ejemplo, fuentes de luz solar brillante, ventanas, iluminación interior, etc., ya que esto hará que la luz del FKWS18 sea inservible.
- La distancia entre la lámpara y el techo debe ser de un metro o más para conseguir una máxima atracción de la luz.

Instrucciones:

1. Levante la cubierta frontal y retire la bombilla UV para evitar que se dañe durante la instalación.
2. Sostenga la placa trasera del aparato contra la pared en el lugar que desee instalar la lámpara y marque con un lápiz en la pared dónde va a colocar los tornillos.
3. Deje la lámpara a un lado para poder hacer los agujeros donde marcó anteriormente e inserte el taco de plástico.
4. A continuación, vuelva a colocar la lámpara sobre la parte superior de los agujeros de la pared para poder atornillarlo. Repítalo con el otro agujero y tornillo.
5. Coloque la bombilla y la lámina adhesiva. Tenga en cuenta que el lado pegajoso de la lámina debe colocarse mirando hacia fuera.
6. Cierre la tapa frontal de la lámpara.
7. Enchufe el cable en la toma de corriente y enciéndalo. La luz debe encenderse inmediatamente.

Nota: si no utiliza el aparato durante un largo período, asegúrese de desenchufarlo.

Mantenimiento

Cambiar la lámina adhesiva

Se recomienda reemplazar la lámina adhesiva cada 1-2 meses.

Para reemplazar la lámina adhesiva:

1. Desenchufe el cable de alimentación y espere 5 minutos hasta que la bombilla se enfríe.
2. Levante la cubierta frontal y retire la lámina que desea cambiar.
3. Coloque una nueva lámina con el lado adhesivo mirando hacia la bombilla.
4. Cierre la cubierta frontal.
5. Vuelva a enchufar la lámpara y enciéndala.

Cambiar la bombilla ultravioleta

Se recomienda cambiar la bombilla UV después de unas 5000 horas de funcionamiento normal.

Para cambiar la bombilla:

1. Desenchufe el cable de alimentación y espere 5 minutos para que la bombilla se enfríe.
2. Levante la cubierta frontal y gire la bombilla para poder retirarla.
3. Inserte la nueva bombilla girandola hacia el lado contrario al anterior.
4. Cierre la cubierta frontal.
5. Vuelva a enchufar la lámpara y enciéndala.



Importante: asegúrese de desechar la bombilla UV gastada de forma responsable y de acuerdo con las normas sobre el desecho de residuos y reciclaje.

Mantenimiento

Limpieza

Asegúrese de que el cable de la lámpara está desenchufado.

Para limpiar la lámpara, ayúdese con un paño seco para retirar el polvo y la suciedad acumulada.

Una vez hecho esto, compruebe que la bombilla y la lámina adhesiva están correctamente colocados y vuelva a enchufar el aparato.

Resolución de problemas

Problema	Solución
La bombilla no se ilumina cuando enciendo la lámpara	<p>A. Compruebe si la bombilla se ha podido desplazar.</p> <p>B. Check if the power cable is plugged into the mains plug socket.</p> <p>C. Unplug the power cable, lift the front cover of the light and rotate the bulb slightly to adjust the contact point between the bulb and the bulb holders.</p>
The light flickers when it lights up.	<p>It's normal for a new fluorescent light bulb to flicker when used for the first time.</p> <p>Unplug the power cable and plug it back after a few seconds. Leave the lamp on for 48 hours and the flicker should not occur again.</p> <p>If the issue persists after 48 hours, please contact Duronic Customer Care Team for further assistance.</p>

Garantía

NOTA: ESTAS DECLARACIONES NO AFECTAN SUS DERECHOS LEGALES COMO CONSUMIDOR

Este producto ha sido fabricado bajo las más estrictas control de calidad y utilizando materiales de alta calidad para asegurar confiabilidad y excelente funcionamiento. Le dará buen servicio y una larga duración, siempre y cuando se utilice correctamente y sea bien mantenido.

El producto está garantizado por 1 año desde la fecha de compra original. Si surge cualquier defecto debido a un error/defecto de fábrica o mano de obra, entonces el producto debe ser devuelto al lugar original de compra. Reembolso o reemplazo es a discreción de la compañía.

Productos Duronic se ofrecen con una garantía de 1 año bajo las siguientes condiciones:

1. El producto debe ser devuelto al vendedor con comprobante de compra original.
2. El producto debe instalarse y usarlo según las instrucciones contenidas en este manual.
3. Este aparato es únicamente de uso doméstico.
4. No cubre desgaste, daños maliciosos, uso indebido, negligencia, reparaciones inexpertas o partes consumibles.
5. Shine-Mart Ltd no será responsable por cualquier daño consecuente, accidentes o pérdidas.
6. Shine-Mart Ltd no es responsable ah llevar a cabo cualquier tipo de servicio, bajo la garantía.
7. Valido solamente dentro de la (EU).



Este producto esta equipado con enchufe/fusible Europeo
Importado por Shine-Mart Ltd, RM3 8SB



Información sobre la eliminación de residuos para los consumidores de equipos eléctricos y electrónicos:

Esta marca en un producto y/o documentos adjuntos indica que cuando se va a desechar, se debe tratar como equipos residuos eléctricos y electrónicos (RAEE)

Cualquier producto marcado (RAEE) no debe ser mezclado con la basura doméstica, sino separado para el tratamiento, recuperación y reciclaje de los materiales utilizados.

Para el tratamiento adecuado, recuperación y reciclaje; por favor, tome todos los productos (RAEE) y llévelo al sitio de residuos de su Autoridad Local, donde será aceptado de forma gratuita.

Si los clientes desechan los residuos eléctricos y electrónicos correctamente, ayudar a ahorrar valiosos recursos y prevenir los efectos negativos sobre la salud humana y el medio ambiente, de materiales peligrosos que pueden contener los residuos

Síguenos



duronicon.com

Manuale D'istruzioni In Italiano

Istruzioni di sicurezza

Leggere attentamente queste istruzioni e conservarle per riferimento futuro.

- Questo apparecchio è solo per uso interno / domestico. Non usare all'esterno.
- Questa trappola per insetti non deve essere utilizzata in garage, capannoni, stalle o qualsiasi edificio esterno in cui sia presente materiale infiammabile o in qualsiasi luogo in cui possano essere presenti vapori infiammabili o polvere esplosiva.
- Questo apparecchio non è progettato per uso commerciale o industriale; è solo per uso domestico.
- Accertarsi che la tensione elettrica sia la stessa indicata sulla targhetta dei dati tecnici dell'apparecchio.
- Questo apparecchio non è destinato all'uso da parte di persone (compresi i bambini) con ridotte capacità fisiche, sensoriali o mentali o mancanza di esperienza e conoscenza, a meno che non siano state sottoposte a supervisione o istruzione relative all'uso dell'elettrodomestico da parte di una persona responsabile della loro sicurezza.
- I bambini devono essere attentamente sorvegliati in ogni momento per assicurarsi che non giochino con l'apparecchio.
- Non trasportare mai l'apparecchio per il cavo di alimentazione.



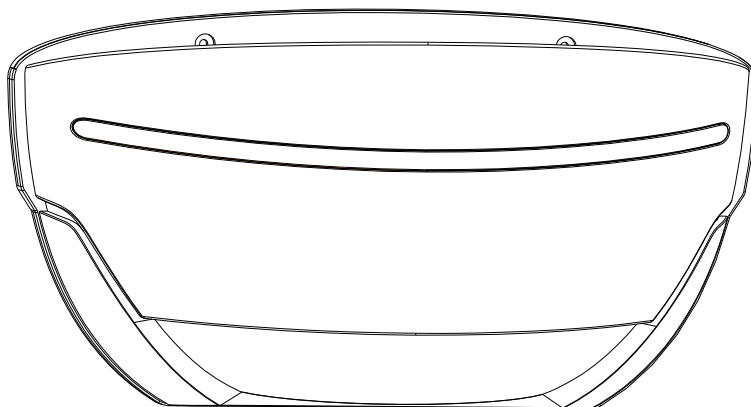
Se la trappola viene utilizzata con un cavo di rete difettoso o danneggiato, persiste un potenziale pericolo di scossa elettrica mortale.

Non utilizzare mai un elettrodomestico danneggiato o con un cavo di alimentazione danneggiato.

- Se l'apparecchio o il cavo di alimentazione sono danneggiati, restituirlo a Duronic per assistenza o riparazione da parte di un tecnico professionista.

- Collegare l'apparecchio a una presa elettrica solo con la tensione indicata sull'etichetta dell'apparecchio.
- Non tentare mai di riparare l'unità da soli, a parte la sostituzione della lampadina e dei pannelli adesivi.
- Non modificare la macchina in modo non descritto nelle istruzioni per l'uso. Le riparazioni possono essere eseguite esclusivamente da Duronic, utilizzando ricambi e accessori originali.
- Utilizzare sempre l'apparecchio su una superficie asciutta, uniforme e stabile.
- Non utilizzare la macchina o maneggiare la spina con le mani bagnate.
- Non immergere in acqua o altri liquidi. La pulizia deve essere eseguita secondo le istruzioni in questo manuale.
- Tenere la trappola lontana da oggetti infiammabili come tende e liquidi infiammabili, poiché persiste il pericolo di esplosione.
- Durante l'installazione, posizionare la luce lontano da finestre o porte per evitare interferenze da correnti d'aria e luce diurna.
- Per motivi di igiene, è consigliato che questa trappola non venga posizionata vicino a luoghi nei quali sia presente cibo.
- Questo apparecchio è adatto solo per il montaggio a parete.

Specifiche



Modello:	FKWS18
Potenza:	18W
Misure:	37.5 x 14 x 19.6 cm
Peso :	1.16 kg
Tipo di lampadina:	Lampa UV: 18W PL BL
Fogli adesivi:	5

Contenuto della confezione

- Applique per la trappola
- 2x viti
- 2x tasselli
- 5x fogli adesivi
- 1x lampadina UV

Informazioni su FKWS18 Trappola per zanzare

Gli insetti sono naturalmente attratti dalla luce ultravioletta. Questa trappola ha una lampadina ultravioletta (UV) che si rivela assolutamente irresistibile per gli insetti. Una volta che le mosche sono attratte nel dispositivo, si poseranno sul foglio di colla e verranno catturate in modo permanente. Una volta che il foglio è pieno, può essere sostituita rapidamente e facilmente

L'FKWS18 viene fornito con 5 fogli adesivi. Se si necessitano di più fogli adesivi, possono essere ordinati da Duronic.

Progettato con un design elegantemente, questa trappola si adatta perfettamente a qualsiasi ambiente.

Non sono coinvolte sostanze chimiche, quindi questo apparecchio è sicuro da utilizzare per persone e animali domestici. La luce ultravioletta fornisce un metodo inodore, silenzioso e sicuro per liberare la casa da fastidiosi insetti.

Prima del montaggio

1. Rimuovere il dispositivo dalla confezione con attenzione. Controllare il corpo e le parti per eventuali danni di spedizione.
2. Controllare la lampadina e del foglio adesivo per verificare che siano posizionati correttamente.
3. Collegare il dispositivo alla presa elettrica di rete più vicina per testare la luce.
4. Se la lampadina si accende immediatamente, procedere all'installazione della trappola.
5. Se la lampadina non si accende, consultare la sezione sulla risoluzione dei problemi per determinare il problema.

Montaggio

Preparazione:

- Accertarsi che la luce sia installata al di sopra dell'altezza degli occhi (almeno 177 cm dal pavimento) in modo che sia fuori dalla linea visiva e nessuno possa urtare la trappola.
- Scegliere un luogo con elevata densità di insetti, vicino a una presa elettrica, facilitando così la manutenzione.
- Non montare la trappola vicino a fonti di luce concorrenti d'aria, come una luce solare intensa, finestre, illuminazioni interni ecc. in quanto ciò renderà la luce FKWS18 inutile.
- La distanza tra la trappola e il soffitto dovrebbe essere di 60 cm o più.

Istruzione:

1. Sollevare il coperchio anteriore e rimuovere la lampadina UV per evitare danni durante il montaggio della trappola.
2. Tenere la piastra posteriore del dispositivo contro il muro nella posizione prescelta. Marcare la posizione delle viti con una matita.
3. Forare nei punti precedentemente segnati con la matita e inserire i tasselli.
4. Quindi riposizionare la trappola alla parte sui buchi precedentemente preparati e inserire una vite e avvitare con un cacciavite. Quindi ripetere l'operazione per la vite successiva.
5. Montare la lampadina e il foglio adesivo. Si noti che il lato adesivo del foglio deve essere posto rivolto verso l'alto.
6. Chiudere il coperchio della luce.
7. Collegare alla presa elettrica e accenderla. La trappola dovrebbe illuminarsi immediatamente.

NOTA: se non si utilizza l'apparecchio per un periodo prolungato, assicurarsi di rimuovere la spina dalla presa elettrica.

Manutenzione

Sostituzione del foglio adesivo

Si consiglia di sostituire il foglio adesivo ogni 1-2 mesi.

Come sostituire il foglio adesivo:

1. Scollegare il cavo di alimentazione e attendere 5 minuti affinché la lampadina si raffreddi.
2. Sollevare il coperchio anteriore e rimuovere il vecchio foglio adesivo.
3. Posizionare un nuovo foglio adesivo con il lato adesivo rivolto verso la lampadina.
4. Chiudere il coperchio anteriore.
5. Ricollegare il cavo di alimentazione.

Sostituzione della lampadina UV

Si consiglia di sostituire la lampadina UV dopo circa 5000 ore di funzionamento.

Come sostituire la lampadina UV:

1. Scollegare il cavo di alimentazione e attendere 5 minuti affinché la lampadina si raffreddi.
2. Sollevare il coperchio anteriore e rimuovere la vecchia lampadina UV ruotandola.
3. Inserire la nuova lampadina UV.
4. Chiudere il coperchio anteriore.
5. Ricollegare il cavo di alimentazione.



Importante: Assicurarsi che lo smaltimento della vecchia lampadina UV avvenga in modo responsabile e in linea con le normative sui rifiuti e sul riciclaggio comunali.

Manutenzione

Pulizia:

Prima della pulizia, assicurarsi che il cavo di alimentazione sia scollegato dalla presa elettrica.

Per pulire la trappola, utilizzare un panno per spolverare asciutto.

Al termine, controllare che la lampadina e il foglio adesivo siano nella posizione corretta, quindi ricollegare il cavo alla presa.

Risoluzione dei problemi

Problema	Soluzione
La lampadina non si accende quando collegato alla presa di corrente.	<p>A. Controllare se la lampadina non è avvitata correttamente.</p> <p>B. Controllare se il cavo di alimentazione è inserito nella presa di corrente.</p> <p>C. Scollegare il cavo di alimentazione, sollevare il coperchio anteriore della luce e ruotare leggermente la lampadina per regolare il punto di <u>contatto tra la lampadina e la trappola.</u></p>
La luce lampeggia quando si accende.	<p>È normale che una nuova lampadina UV lampeggi quando viene utilizzata per la prima volta.</p> <p>Scollegare il cavo di alimentazione e ricollegarlo dopo alcuni secondi. Lasciare la lampada accesa per 48 ore e il lampeggiare non dovrebbe ripetersi.</p> <p>Se il problema persiste dopo 48 ore, contattare l'assistenza clienti Duronic per ulteriore assistenza.</p>

Garanzia

Questo prodotto è garantito per una durata determinata con il distributore a partire dalla data di acquisto contro ogni difetto derivante da difetti di fabbricazione o dei materiali. Questa garanzia non copre difetti o danni derivanti da installazione impropria, uso improprio o usura anomala del prodotto.

L'apparecchio deve essere restituito nella sua confezione originale e accompagnato dalla ricevuta e deve essere stato utilizzato in modo corretto. È importante rispettare le istruzioni per l'uso e le precauzioni di sicurezza indicate di seguito. Inoltre, non possiamo garantire l'apparecchio se è stato modificato o riparato dall'acquirente o da terzi.

1 anno di garanzia da Shine-Mart Ltd, proprietari del marchio commerciale Duronic.

NOTA: QUESTE DICHIARAZIONI NON INFLUISCONO SUI DIRITTI LEGALI DEL CONSUMATORE

Questo prodotto è stato realizzato con le rigorose procedure del controllo qualità, e utilizzando materiali di altissima qualità, per garantire affidabilità e prestazioni eccellenti. Vi regalerà un servizio ottimo e a lungo termine, purchè venga opportunamente usata e mantenuta. Il prodotto è garantito per 1 anno dalla data di acquisto. Se sorge qualche difetto a causa di materiali difettosi o scarsa manodopera, il prodotto difettoso dovrà essere restituito al luogo originale di acquisto. Il rimborso o la sostituzione sono a discrezione dell'azienda. I prodotti Duronic offrono 1 anno di garanzia alle seguenti condizioni:

1. Il prodotto deve essere restituito al rivenditore con la prova d'acquisto originale
 2. Il prodotto deve essere installato e usato seguendo le istruzioni contenute nel manuale.
 3. Il prodotto va utilizzato solo per scopi domestici. Non è da utilizzarsi per uso commerciale.
 4. La garanzia non copre usura, danni volontari, abuso, negligenza, riparazioni inesperte o consumo dei materiali.
 5. Shine-Mart Ltd non è responsabile per Danni accidentali o consequenziali.
 6. Shine-Mart Ltd non è tenuta a eseguire qualsiasi tipo di riparazione, ai sensi della garanzia.
 7. Termini validi in tutta l'unione europea *Ci riserviamo il diritto di modificare le sopracitate condizioni Per parti di ricambio si prega di consultare il sito www.duronic.com
- Corretto smaltimento del prodotto.



Questo prodotto è inclusivo di spina certificata CE
importata da Shine-Mart Ltd, RM3 8SB



Questo segno su un prodotto o su documenti indica che quando deve essere smaltito, deve essere trattato come i rifiuti elettrici ed elettronici (WEEE). Tutti i prodotti marcati WEEE non devono essere buttati nei rifiuti domestici generici, ma separati per il trattamento, il recupero e il riciclaggio dei materiali utilizzati.

Per un corretto trattamento, recupero e riciclaggio; si prega di portare tutti i prodotti marcati WEEE al Vostro centro smaltimenti rifiuti autorizzato, dove saranno accettati gratuitamente.

Se i consumatori sono propensi allo smaltimento corretto di rifiuti elettrici ed elettronici, aiuteranno a salvare risorse importanti e a prevenire i potenziali effetti negativi sulla salute umana e sull'ambiente di tutti i materiali pericolosi che i rifiuti possono contenere.

Seguici



duronic.com

Instrukcja obsługi. Polski

Bezpieczeństwo użytkowania

Przed użyciem zapoznaj się z instrukcją i zachowaj ją do wglądu.

- Urządzenie przeznaczone wyłącznie do użytku domowego. Nie stosuj na świeżym powietrzu.
- Urządzenie nie zostało zaprojektowane do użytku w garażach, stodołach, stajniach lub innych budynkach przydomowych, gdzie znajdują się łatwopalne materiały lub w innych miejscach, w których mogą występować łatwopalne opary lub wybuchowe pyły.
- Urządzenie nie zostało zaprojektowane do użytku komercyjnego lub przemysłowego, a jedynie do zastosowania w gospodarstwach domowych.
- Przed podłączeniem urządzenia do gniazdka upewnij się, czy napięcie domowej sieci elektrycznej jest zgodne z napięciem oznaczonym na tabliczce znamionowej.
- Urządzenie nie jest przeznaczone do obsługi przez osoby (również dzieci) o ograniczonych zdolnościach fizycznych, sensorycznych i psychicznych oraz z niewystarczającą wiedzą i doświadczeniem, chyba że znajdują się pod opieką lub zostały przeszkolone w zakresie użytkowania urządzenia przez osobę odpowiedzialną za ich bezpieczeństwo.
- Dzieci powinny znajdować się pod stałym nadzorem, aby nie bawiły się urządzeniem.
- Nigdy nie przenoś urządzenia pociągając za przewód zasilający.



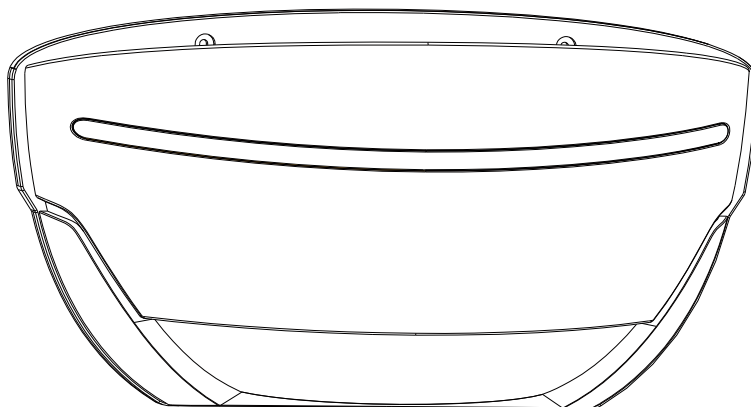
Ostrzeżenie: Jeżeli urządzenie jest użytkowane z uszkodzonym lub wadliwym przewodem zasilającym, istnieje ryzyko wystąpienia śmiertelnego porażenia prądem.

Nigdy nie używaj urządzenia, gdy jest ono uszkodzone lub, gdy kabel zasilający jest uszkodzony.

- Jeżeli przewód zasilający lub urządzenie jest uszkodzone, zwróć je do firmy Duronic, w celu naprawy przez wykwalifikowanego technika.

- Podłączaj urządzenie tylko do gniazdka elektrycznego o napięciu i częstotliwości zgodnej z naklejką znamionową.
- Nigdy nie próbuj samodzielnie wymieniać części lub naprawiać urządzenia, poza wymianą świetlówek lub płytki klejowej.
- Nie modyfikuj urządzenia w sposób, który nie jest opisany w instrukcji użytkowania. Maszyna zawiera części pod napięciem. Naprawy mogą być przeprowadzane wyłącznie przez Duronic, przy użyciu oryginalnych części zamiennych i akcesoriów.
- Zawsze używaj urządzenia na suchej, gładkiej, równej i stabilnej powierzchni. Nie montuj urządzenia na uszkodzonej ścianie lub ścianie pokrytej wilgocią / pleśnią.
- Nie obsługuj urządzenia ani nie dotykaj wtyczki mokrymi rękami.
- Nie zanurzaj urządzenia w wodzie lub innych płynach. Czyszczenie urządzenia powinno zostać wykonane zgodnie z instrukcją zawartą w dokumencie.
- Trzymaj światło z dala od łatwopalnych przedmiotów, takich jak zasłony, oraz z dala od łatwopalnych cieczy, gazów, ponieważ istnieje niebezpieczeństwo wybuchu.
- Podczas instalacji umieść światło z dala od okien lub drzwi, aby uniknąć zakłóceń spowodowanych przeciągiem i światłem dziennym.
- Ze względów higienicznych najlepiej nie umieszczać tego urządzenia w pobliżu miejsc, w których jest przygotowywane lub podawane jedzenie.
- To urządzenie nadaje się wyłącznie do montażu na ścianie.

Specyfikacja



Model:	FKWS18
Moc:	18W
Rozmiar:	37.5 x 14 x 19.6 cm
Waga:	1.16 kg
Rodzaj świetlówka:	Świetlówka UV 18W PL BL
Płytki klejowe	5 sztuk

Zawartość opakowania:

- Kinkiet ścienny
- 2x śruby
- 2x kołki
- 5x płytki klejowe
- 1x świetlówka UV

Informacje o FKWS18

Lampa owadobójcza wyposażona jest w ultrafioletową świetlówkę (UV), której światło przyciąga owady latające. Kiedy zwabiony owad przysiadzie na płycie klejącej wewnątrz urządzenia i zostaje na stałe unieruchomione. Kiedy płyta zostanie zapełniona można ją bardzo łatwo i szybko wymienić. Poziom zapełnienia płytki możesz sprawdzić, unosząc przednią obudowę urządzenia.

Lampa FKWS18 jest dostarczana z pięcioma płytkami klejącymi. Jeżeli potrzebujesz większej ilości sztuk zamów je oddzielnie od producenta - Duronic (Shine-Mart Ltd).

Elegancki, ponadczasowy design sprawia, że kinkiet z lampą owadobójczą będzie pasował do każdego wnętrza.

Urządzenie nie wykorzystuje żadnych substancji chemicznych, dlatego można je stosować w pobliżu ludzi i zwierząt. Światło ultrafioletowe zapewnia bezwonną, bezgłośnie i bezpieczną metodę pozbycia z się domu owadów latających.

Przed instalacją

1. Ostrożnie wyjmij urządzenie z opakowania. Sprawdź urządzenie i kompletność elementów na wypadek ewentualnych uszkodzeń w transporcie.
2. Sprawdź położenie żarówki i płytki klejącej, aby upewnić się, czy są prawidłowo zamontowane.
3. Podłącz urządzenie do najbliższego gniazdka elektrycznego, aby sprawdzić, czy lampa działa.
4. Jeśli świetlówka natychmiast się zaświeci, przejdź do instalacji lampy.
5. Jeśli świetlówka się nie świeci, zapoznaj się z rozdziałem Rozwiązywanie Problemów, aby znaleźć rozwiązanie.

Instalacja

Przygotowanie:

- Upewnij się, że lampa znajduje się powyżej poziomu oczu (min. 177 cm od poziomu podłogi), aby mieć pewność, że nie będzie kolidować.
- Zainstaluj światło w pobliżu miejsca, gdzie często pojawiają się owady, ale z dala od jakiegokolwiek przeciągu lub bezpośredniego wiatru.
- Wybierz lokalizację, gdzie owady pojawiają się najczęściej, w pobliżu gniazdka elektrycznego (zasięg przewodu) i łatwej dostępności w celu wygodnego serwisowania.
- Nie instaluj lampy w pobliżu innych źródeł światła, takich jak mocno nasłonecznione okna, oświetlenie wewnętrzne itp. ponieważ spowoduje to, że FKWS18 stanie się bezużyteczna.
- Odległość między lampą a sufitem powinna wynosić 60 cm lub więcej, aby zapewnić maksymalne zwabianie owadów.

Instrukcja:

1. Podnieś przednią pokrywę i wyjmij świetlówkę UV, aby uniknąć uszkodzenia tego elementu podczas instalacji.
2. W wybranej lokalizacji przytrzymaj tylną płytę kinkietu na ścianie. Określ miejsce, w którym chcesz zainstalować urządzenie i zaznacz ołówkiem pozycję śrub.
3. Odlóż na bok urządzenie i wywierć otwory w wyznaczonych miejscach. W otworach umieść plastikowe kołki.
4. Następnie nałóż obudowę kinkietu na wywiercone otwory i przykręć śrubę śrubokrętem. Powtórz czynność z pozostałymi śrubami.
5. Zainstaluj świetlówkę i płytę klejącą. Zwróć uwagę, że lepka strona płytki powinna być ustawiona przodem.
6. Zamknij pokrywę oświetlenia.
7. Podłącz kabel zasilający do gniazdka sieciowego i włącz urządzenie. Lampa powinna od razu zacząć świecić.

UWAGA: Jeśli nie będziesz używać urządzenia przez dłuższy czas, upewnij się, że wyciągnąłeś wtyczkę z gniazdka elektrycznego.

Konserwacja

Wymiana płytki klejowej

Zaleca się wymianę płytki klejącej co 1-2 mieś.

Aby wymienić płytkę klejową:

1. Odłącz przewód zasilający i odczekaj ok. 5 min., aby świetlówka się schłodziła.
2. Podnieś przednią obudowę i usuń zużyta płytkę klejową.
3. Zainstaluj nową płytkę klejową umieszczając klejącą stronę po stronie świetlówek.
4. Zamknij przednią obudowę.
5. Podłącz ponownie przewód zasilający w gniazdku elektrycznym i włącz urządzenie.

Wymiana świetlówek UV

Zaleca się wymianę świetlówek UV po ok. 5000 godzinach standardowej pracy.

Aby wymienić świetlówkę:

1. Odłącz przewód zasilający i odczekaj ok. 5 min., aby świetlówka się schłodziła.
2. Podnieś przednią obudowę i wykręć zużyta świetlówkę.
3. Wkręć nowe świetlówki UV.
4. Zamknij przednią obudowę.
5. Ponownie podłącz kabel zasilający do gniazdka elektrycznego.



WAŻNE: Upewnij się, że wyrzucasz starą świetlówkę UV w sposób odpowiedzialny i zgodny lokalnym prawem gospodarki odpadami i recyklingiem.

Konserwacja c.d.

Czyszczenie:

Przed czyszczeniem upewnij się, że kabel zasilający jest odłączony od gniazdka sieciowego.

Aby wyczyścić lekkie zabrudzenia, użyj suchej szmatki, aby usunąć kurz i brud, który zbierał się z czasem.

Po zakończeniu sprawdź, czy świetlówka i płytki klejowa znajdują się w właściwej pozycji, następnie ponownie podłącz przewód do gniazdka.

Rozwiązywanie Problemów

Problem	Rozwiązanie
<p>Świetlówka nie świeci się, kiedy podłączam urządzenie do gniazdka sieciowego.</p>	<p>A. Sprawdź, czy żarówka znajduje się w prawidłowej pozycji. Podczas transportu mogła się obluzować.</p> <p>B. Sprawdź, czy kabel zasilający jest prawidłowo podłączony do gniazdka sieciowego.</p> <p>C. Odłącz kabel zasilający, podnieś przednią osłonę lampy i obróć lekko żarówkę, aby wyregulować punkt styku między żarówką a oprawkami żarówki.</p>
<p>Światło świetlówki migocze.</p>	<p>Jest to normalne, że nowa świetlówka UV migocze przy pierwszym użyciu.</p> <p>Odłącz kabel zasilający i podłącz go ponownie po kilku sekundach. Pozostaw lampę włączoną na 48 godzin, a migotanie powinno ustąpić.</p> <p>Jeżeli problem występuje po 48 godz. skontaktuj się z Działem Obsługi Klienta Duronic, aby uzyskać pomoc.</p>

Warunki Gwarancji

1 Rok Gwarancji firmy Shine-Mart LTD, marki handlowej Duronic Products.

UWAGA: ten dokument nie wpływa na twoje ustawowe prawo jako konsumenta.

Ten produkt został wykonany zgodnie z restrykcyjnymi normami kontroli i wykorzystuje najwyższej jakości materiały dla uzyskania doskonałej wydajności i niezawodności. Długotrwałość produktu zostaje osiągnięta przez właściwe użytkowanie i konserwację. Gwarancja obejmuje 1 rok od daty zamówienia. Jeżeli jakkolwiek defekt powstanie ze względu na wadliwość materiału lub niewłaściwe wykonanie to uszkodzony produkt musi zostać dostarczony do miejsca, z którego został zamówiony. Zwrot pieniędzy lub wymiana produktu jest w gestii firmy.

Duronic Products oferuje jeden rok gwarancji na podstawie poniższych warunków:

1. Produkt musi zostać zwrócony do sprzedawcy z oryginalnym dowodem zakupu.
2. Produkt był instalowany i użytkowany zgodnie z instrukcją obsługi.
3. Produkt użytkowany był wyłącznie w celach domowych.
4. Gwarancja nie obejmuje naturalnego zużycia się produktu, celowego uszkodzenia, niewłaściwego użycia, zaniedbania, niewłaściwych napraw lub części eksploatacyjnych.
5. Shine-Mart Ltd. nie ponosi odpowiedzialności za przypadkowe albo celowe zgubienie produktu lub jego uszkodzenie.
6. Firma Shine-Mart Ltd nie jest zobowiązana do przeprowadzania jakichkolwiek prac serwisowych w ramach gwarancji.
7. Obowiązuje na obszarze Unii Europejskiej.



Ten produkt jest wyposażony we wbudowaną wtyczkę typu Euro-Plug / BS z certyfikatem CE importowaną przez Shine-Mart Ltd, RM3 8SB



Informacja o odpadach i utylizacja dla użytkowników sprzętu elektrycznego i elektronicznego.

Usuwanie wyeksploatowanych urządzeń elektrycznych i elektronicznych (dotyczy krajów Unii Europejskiej i innych krajów europejskich z wydzielonymi systemami zbierania odpadów). Ten symbol na produkcie lub jego opakowaniu oznacza, że produkt nie powinien być zaliczany do odpadów domowych. Należy go przekazać do odpowiedniego punktu, który zajmuje się zbieraniem i recyklingiem urządzeń elektrycznych i elektronicznych. Prawidłowe usunięcie produktu zapobiegnie potencjalnym negatywnym konsekwencjom dla środowiska naturalnego i zdrowia ludzkiego, których przyczyną mogłoby być niewłaściwe usuwanie produktu.

Recykling materiałów pomaga w zachowaniu surowców naturalnych.

Sledź Nas



duronic.com



[duronic](https://www.youtube.com/channel/UC...)



[@duronicmedia](https://www.instagram.com/duronicmedia)



[Duronic](https://www.facebook.com/Duronic)



[@duronicmedia](https://twitter.com/duronicmedia)

DURONIC