



P.O. Box 2956 · Syracuse · New York · 13220
 Phone: (315) 433-1150 Fax: (315) 433-1521
 Toll Free US & Canada: (800) 334-0837
 Email: sales@infitec.com

TFS SERIES SUPER LOW COST FLASHER

FEATURES

- Fully Solid State
- 2 Wire, In-Line Connection
- Flash Rates From 30 to 90 Flashes Per Minute
- Various Models for Incandescent, Resistive, and Inductive Loads
- 1 Ampere, Fullwave & 2 Ampere, Halfwave Outputs
- Totally Encapsulated
- UL/cUL Recognized (AC Only)

SPECIFICATIONS

1. Input

- 1.1 Operating Voltage: 24 & 120 VAC, 12, 24, & 36 VDC
- 1.2 Tolerance: $\pm 15\%$ of Nominal
- 1.3 Frequency: 50 or 60 Hertz

2. Output

- 2.1 Type: Solid State
- 2.2 Rating:
 - A** - 1 Amp RMS Steady State, 10 Amps Inrush, Fullwave (Incandescent or Resistive Loads)
 - B** - 1 Amp RMS Steady State, 10 Amps Inrush, Fullwave (Incandescent, Resistive, or Inductive Loads)
 - C** - 2 Amp Peak Steady State, 10 Amps Inrush, Halfwave (Incandescent or Resistive Loads)
 - D** - 1 Amp DC

3. Flash Rate

- 3.1 Standard FPM: 30, 45, 60, 75, 90 ($\pm 20\%$ at Nominal Operating Voltage)
- 3.2 ON / OFF Ratio: Approximately 50%

4. Mechanical

- 4.1 Mounting: One #8 Screw
- 4.2 Termination: 6 Inch (Minimum) #20 AWG Wire Leads

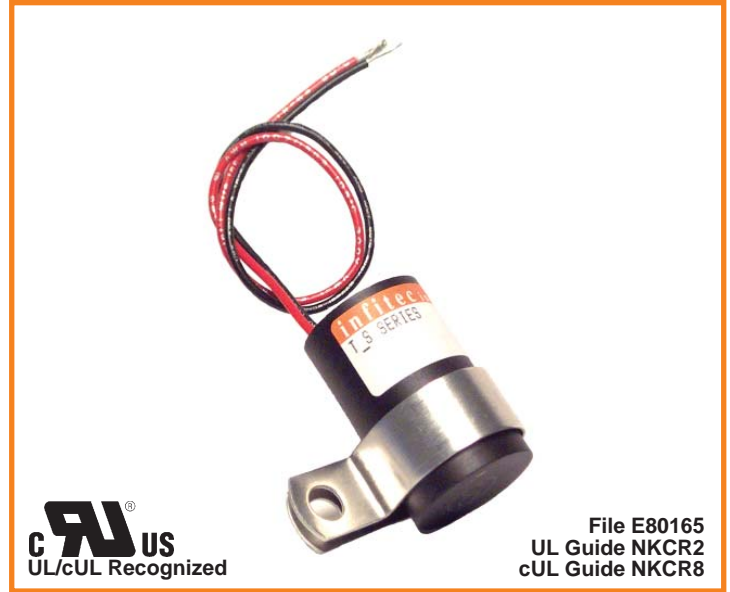
5. Environmental

- 5.1 Operating Temperature: -20°C to $+60^{\circ}\text{C}$
- 5.2 Storage Temperature: -30°C to $+85^{\circ}\text{C}$
- 5.3 Humidity: 95% Relative Non-Condensing

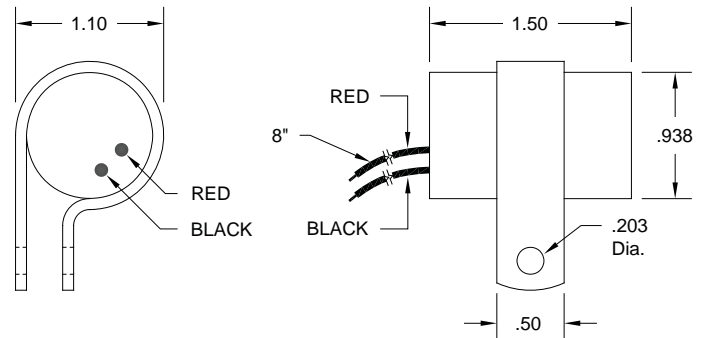
MODE OF OPERATION

OFF / ON FLASHER

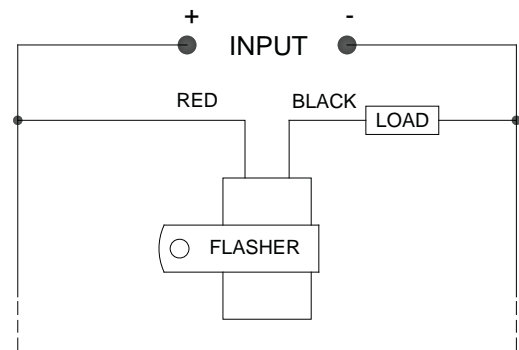
Upon application of power and with the load in place, the output will cycle OFF and ON at its fixed flash rate. To reset, remove power.



DIMENSIONS



CONNECTION DIAGRAM



ORDERING INFORMATION

SERIES	INPUT VOLTAGE	OUTPUT RATING & STYLE	FLASH RATE
TFS	1 - 12 VDC 2 - 24 VDC 4 - 24 VAC 5 - 120 VAC 9 - 36 VDC	A - 1 Amp, Fullwave B - 1 Amp, Fullwave (Inductive) C - 2 Amp Peak, Halfwave Rectified D - 1 Amp DC	30 - 30 FPM 45 - 45 FPM 60 - 60 FPM 75 - 75 FPM 90 - 90 FPM