



P.O. Box 2956 · Syracuse · New York · 13220
 Phone: (315) 433-1150 Fax: (315) 433-1521
 Toll Free US & Canada: (800) 334-0837
 Email: sales@infitec.com

PCSL SERIES SUPER LOW COST AC PHASE CONTROL

FEATURES

- Fully Solid State
- 2 Terminal In-Line Connection
- Adjustment From 10% to 95% of Line Voltage
- Controls Many Types of AC Loads
- Standard 1/4" Quick Connect Termination
- Totally Encapsulated
- UL/cUL Recognized

SPECIFICATIONS

1. Input

- 1.1 Operating Voltage: 24, 120, 230 VAC
- 1.2 Tolerance: $\pm 15\%$ Of Nominal
- 1.3 Frequency: 60 Hertz

2. Output

- 2.1 Type: Solid State
- 2.2 Ratings:
 - Blank** - 1 Amp Steady State, (10 Amp Inrush, 50 mA Min.)
 - A** - 6 Amp Steady State, (60 Amp Inrush, 200 mA min.)
 - B** - 10 Amp Steady State, (100 Amp Inrush, 225 mA min.)
 - C** - 15 Amp Steady State, (150 Amp Inrush, 250 mA min.)
 - D** - 2.5 Amp Steady State, (50 Amp Inrush, 150 mA min.)
 - H** - 25 Amp Steady State, (250 Amp Inrush, 500 mA min.)
 - Maximum Plate Temperature: 85°C
 - Maximum Plate Temperature: 60°C
- 2.3 Voltage Drop: 1.5 Volts Typical At Rated Current
- 2.4 External Resistance: 1 Megohm = Minimum Output Voltage
 (24 VAC Units) 100K Ohm = Minimum Output Voltage
- 2.5 Range: 10 - 95% of Line Voltage, Minus Voltage Drop
- 2.6 Output Voltage vs. Temperature: $\pm 5\%$

3. Protection

- 3.1 Transient: ± 1500 Volts for 150 Microseconds
- 3.2 Dielectric Breakdown: 1500 Volts RMS Minimum

4. Mechanical

- 4.1 Mounting: One #8 or #10 Screw
- 4.2 Termination: 1/4" Quick Connect Terminals
- 4.3 Style: Surface Mount/Encapsulated With Heatsink Surface
 (See Dimension Diagram)

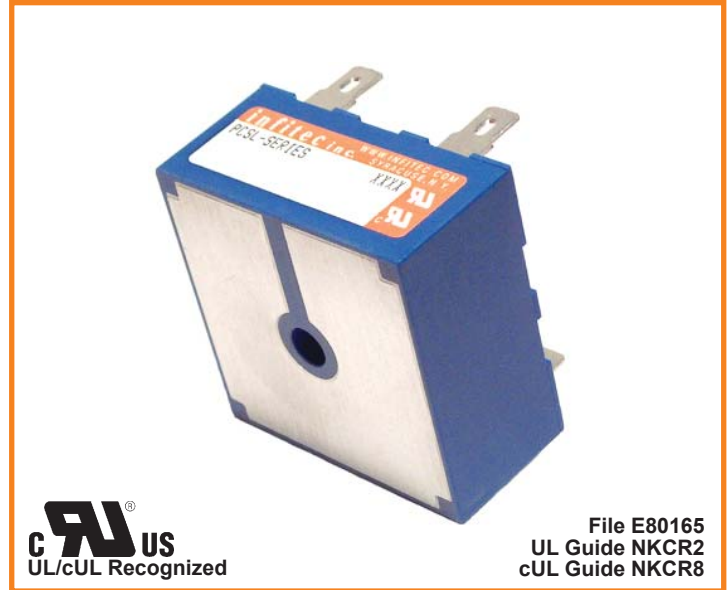
5. Environmental

- 5.1 Operating Temperature: -20°C to +65°C
- 5.2 Storage Temperature: -30°C to +85°C
- 5.3 Humidity: 95% Relative, Non-Condensing

MODE OF OPERATION AC PHASE CONTROL

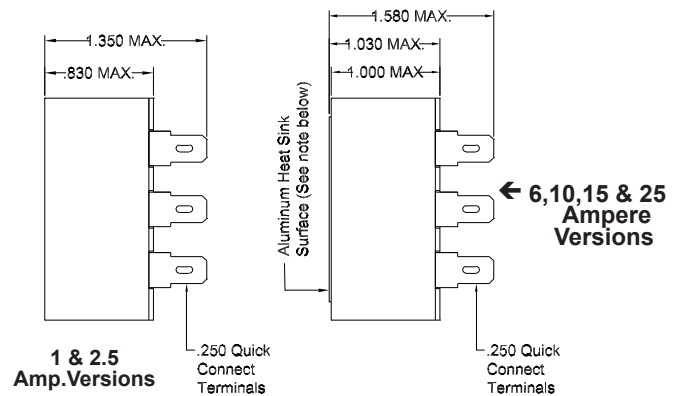
Power is applied to the input terminals at all times. Adjusting the control potentiometer changes the voltage across the load.

ORDERING INFORMATION			
SERIES	INPUT VOLTAGE	OUTPUT RATING	OUTPUT TRIMMING
PCSL	4 - 24 VAC	(Blank) - 1 Amp	(Blank) - No Trimming
	5 - 120 VAC	A - 6 Amp	1 - Low End Trim
	6 - 230 VAC	B - 10 Amp	2 - High End Trim
		C - 15 Amp	3 - Low & High End Trim
		D - 2.5 Amp	
		H - 25 Amp	



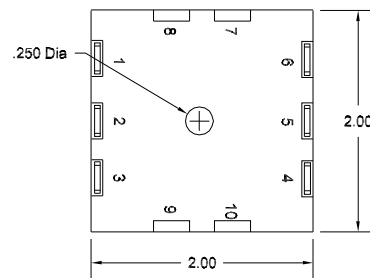
File E80165
 UL Guide NKCR2
 cUL Guide NKCR8

DIMENSIONS



1 & 2.5
 Amp. Versions

6, 10, 15 & 25
 Ampere
 Versions



NOTE: For maximum current rating the unit's metal backing must be installed against an aluminum surface of at least 1/16" thickness. A suitable thermal compound should be applied to the unit's metal surface prior to mounting. Refer to Application Note #AN1001 HEATSINKING HIGH CURRENT SOLID STATE CONTROLS.

CONNECTION DIAGRAM

