



P.O. Box 2956 · Syracuse · New York · 13220
 Phone: (315) 433-1150 Fax: (315) 433-1521
 Toll Free US & Canada (800) 334-0837
 Email: sales@infitec.com

ISSB SERIES AC CURRENT SENSOR RELAY OUTPUT

FEATURES

- Complete Isolation Between Sensed Current and Output Circuit
- Output Contact Ratings up to 30 Amperes
- 5% Hysteresis to Prevent Rapid Switching
- Over current and Under current Sensing
- Encapsulated To Withstand Harshest Environment
- Designed to Sense the Beginning or Ending of a Function Via Monitored Current Flow
- UL / cUL Recognized

SPECIFICATIONS

1. Control.

- 1.1 Type: Sensed current via isolated toroid sensor
- 1.2 Sense voltage: Up to 600 VAC
- 1.3 Sense range: 1 pass - 2 to 20 amperes
 2 passes - 1 to 10 amperes
 4 passes - 0.5 to 5 amperes
 (see connection diagram)

2. Input.

- 2.1 Control circuit voltage: 24, 120 & 230 VAC
- 2.2 Tolerance: ± 20% of nominal
- 2.3 Frequency: 50 - 60 Hertz

3. Output.

- 3.1 Type: Electromechanical relay
- 3.2 Form: SPST or SPDT, isolated and non-isolated (see ordering info.)
- 3.3 Rating: See 'Output Contact Rating Chart'
- 3.4 Life: Medium power =
 Electrical - full load - 100,000 operations
 Mechanical - 10,000,000 operations
 High power and Heavy Duty =
 Electrical - full load - 100,000 operations
 Mechanical - 10,000,000 operations

4. Trip Point.

- 4.1 Fixed: Specify in ordering information
- 4.2 Knob adjustable: User settable throughout sensing range (see 1.3)
- 4.3 Tolerance: ± 20%
- 4.4 Trip point vs. voltage & temperature: ± 5%

5. Protection.

- 5.1 Transient: ±1500 volts for 150 microseconds
- 5.2 Dielectric breakdown: 1500 volts RMS

6. Mechanical.

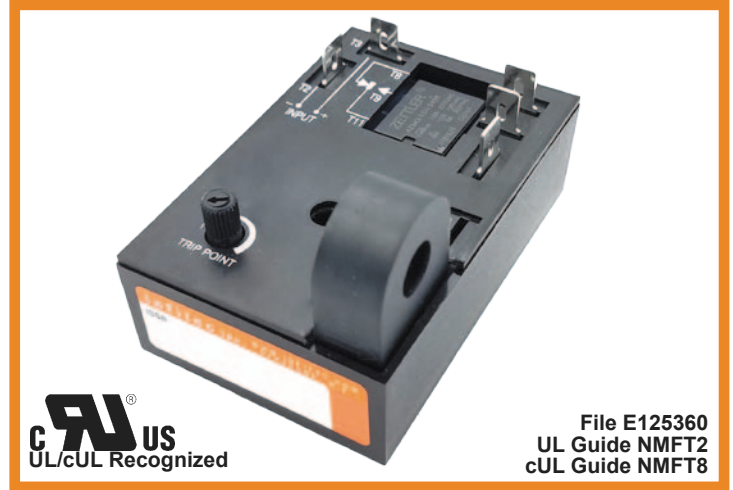
- 6.1 Mounting: One #8 or #10 screw
- 6.2 Control circuit termination: 1/4" quick connect
- 6.3 Style: Surface mount / encapsulated

7. Environmental.

- 7.1 Operating temperature: -20°C to +80°C
- 7.2 Storage temperature: -30°C to +85°C
- 7.3 Humidity: 95% relative, non-condensing

MODE OF OPERATION AC CURRENT SENSOR

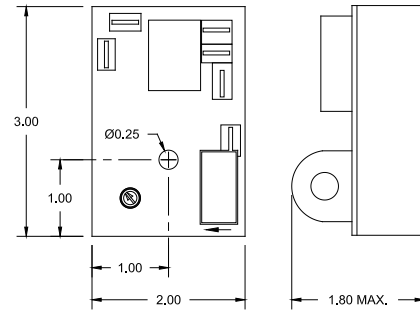
Power is applied to the control circuit at all times. When the level of current flow in the circuit being monitored is greater than the trip point, the current sensor's control circuit contacts transfer. When the current flow in the circuit being monitored drops below the trip point, the control circuit contacts revert back to their original position.



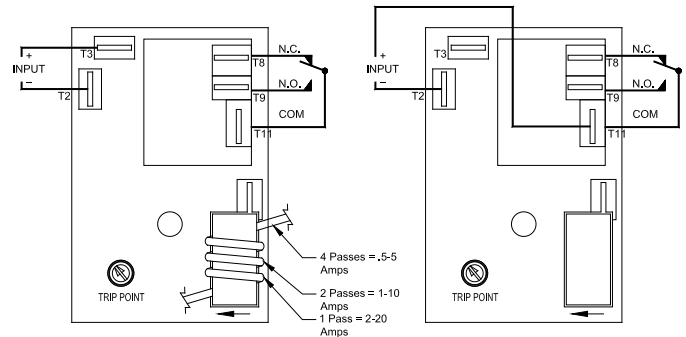
UL
UL/cUL Recognized

File E125360
UL Guide NMFT2
cUL Guide NMFT8

DIMENSIONS



CONNECTION DIAGRAMS



ISOLATED

NON-ISOLATED

OUTPUT CONTACT RATING CHART			
	30 VDC	125 VAC	240 VAC
MEDIUM POWER			
N.O.	10A	10A, 1/4hp	10A, 1/4hp
N.C.	5A	5A, 1/4hp	5A, 1/4hp
HIGH POWER			
N.O.	20A	20A, 1hp	20A, 2hp
N.C.	10A	10A, 1/4hp	10A, 1/2hp
HEAVY DUTY			
N.O.	30A	30A, 1hp	30A, 2hp

ORDERING INFORMATION

SERIES	CONTROL CIRCUIT		TRIP POINT ADJUSTMENT	TRIP POINT SETTING (FIXED ADJ. ONLY)
	INPUT VOLTAGE	OUTPUT		
ISSB	4 - 24 VAC 5 - 120 VAC 6 - 230 VAC	A - Medium Power (SPDT, Isolated) B - High Power (SPDT, Isolated) C - Heavy Duty (SPST, Isolated) E - Medium Power (SPDT, Non-Isolated) F - High Power (SPDT, Non-Isolated) G - Heavy Duty (SPST, Non-Isolated)	0 - Knob 1 - Fixed	Specify Trip Current to Nearest 1 Ampere