



P.O. Box 2956 · Syracuse · New York · 13220
 Phone: (315) 433-1150 Fax: (315) 433-1521
 Toll Free US & Canada (800) 334-0837
 Email: sales@infitec.com

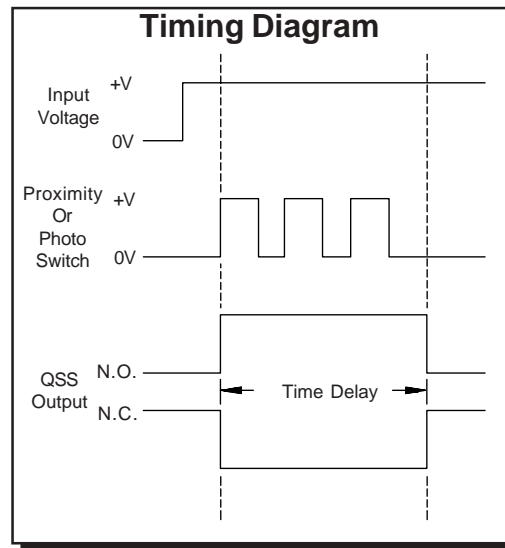
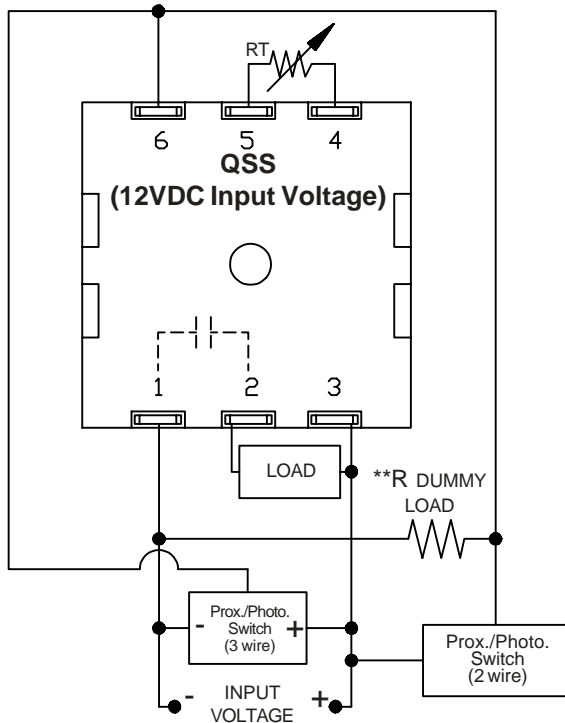
APPLICATION NOTE AN2010 TRIGGERING SINGLE SHOT TIME DELAY MODULE FROM PROXIMITY OR PHOTOELECTRIC SWITCH

email: sales@infitec.com
 engineering@infitec.com

☐ TRIGGERING SINGLE SHOT TIMER FROM PROXIMITY OR PHOTOELECTRIC SWITCH

Use with all encapsulated time delay modules with external initiate

Input voltage is applied at all times. The switch output is normally off (0 Volts). When the switch output turns on (+9 to 15 Volts) the QSS output contact transfers and timing begins. Upon completion of the preset time delay, the QSS output contact reverts back to its original position. When the switch output has turned off and back on, the QSS repeats its cycle.



****NOTE:**

R dummy load is used for 2 wire proximity or photoelectric switches. See manufacturer's data sheet for minimum load requirements.