



Operating Instructions

Chondel - Clay target launcher

WARNING

Clay target launchers can be dangerous and must be treated with great care at all times to avoid accidents.

Never place any bodily part into the path of any mechanical piece whilst the machine is in motion or likely to be so.

Specifications:

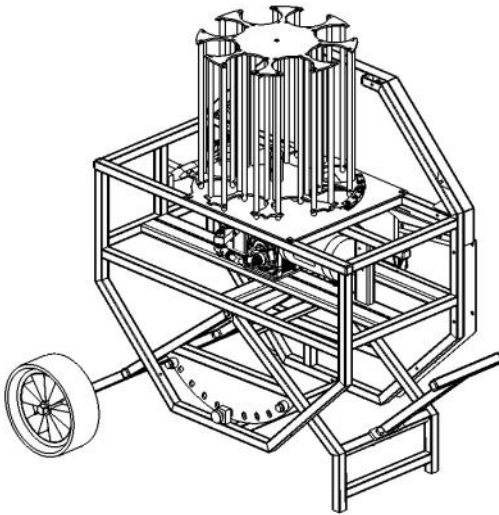
300 target Carousel.

Weight: 80 kg / 176 lbs.

Length: 1269mm / 50"

Width: 992mm / 39"

Height: 1202mm / 47½"



You must treat a clay target launcher with the same caution that you would treat a loaded gun. Assume at all times that a clay target launcher is armed and loaded and treat it accordingly



This document must be read in full before attempting to operate the machine

Preface:

Every effort has been made to ensure that the information contained within this manual is complete, accurate and up-to-date. Promatic International assumes no responsibility for errors beyond its control.

Conventions used within this manual:

Trap: Your Chondel Clay target launcher, commonly known as a clay trap and may be referred to in this manual as “The trap” or “The machine”

Warnings & Cautions:



Warning: This section contains instructions which, if ignored or carried out incorrectly, may result in risk of personal injury.



Caution: This section contains instructions which, if ignored or carried out incorrectly, may result in malfunction or damage to the equipment or consumables.



Note: This section contains additional information which the user may find useful, but is not essential to the operation of the product.



12v DC Power Source:

This trap is designed to be powered from a 12v DC battery.

We recommend 85Ah (approx.) leisure batteries for this trap. Promatic part no. E30V/LB85

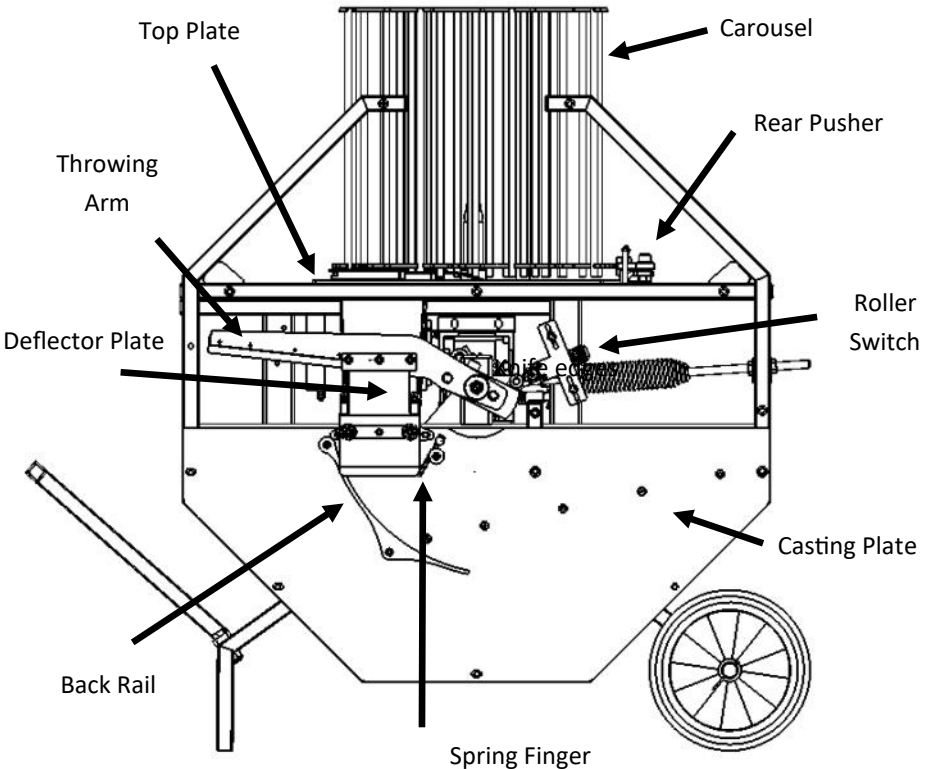
IT MUST NOT BE DIRECTLY CONNECTED TO MAINS AC POWER



EYE PROTECTION MUST BE WORN WHEN WORKING ON OR AROUND A CLAY TARGET LAUNCHER AS SMALL SHARP PIECES OF CLAY MAY BE EJECTED DURING NORMAL USE.



Understanding your new trap: (Guards have been removed for clarity.)

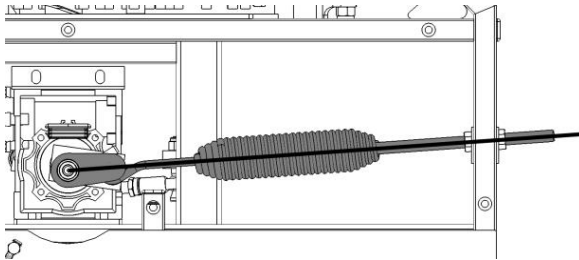


Thank you for purchasing your new Promatic Trap. If maintained properly it will give many years of trouble free service. **Before proceeding any further, checks need to be made to ensure your Trap is in a safe state.** When making these checks, stay well away from the trap. As supplied, the trap should be in transit mode. Before proceeding any further check that this is the case. Transit mode is described on page 4. If this is not the case, the trap may be in safe mode as described on page 5. If the Trap does not appear to be in any of these two positions assume it is unsafe, even if the power source is dis-connected. Do not approach the Trap. Assume it could fire at any time. Follow the procedure on page 5 and ensure the Trap is disarmed.

Transit Mode Procedure - This is recommended for machine transportation.

Warning: Stand at rear of machine only

- A. Disarm the machine by flicking the ARM/DISARM switch upwards towards the DISARM position and immediately releasing (long enough for the trap to fire, but not giving the machine a chance to rearm.
- B. Flick the ARM/DISARM switch upwards towards the DISARM position repeatedly until the gearbox block points roughly towards the back of the machine at approx. the 7 o'clock position. Rotate the arm using the palm of your hand until the crank pin on the main shaft contacts the gearbox crank pin. Now flick the ARM/DISARM switch once. The throwing arm should follow the motor as you nudge. If not push the arm round again until the two crank pins touch. Make sure the gap between the two crank pins is not too big. The spring should pull the arm against the gearbox crank pin. Now nudge the motor around until the throwing arm forms a straight line with the spring. See Diagram below.



- C. Adjust the spring to reduce the tension.
- D. This is TRANSIT MODE.

Note this procedure only applies to the Promatic Chondel machine.



Never approach the machine from the front or sides, Do not assume the trap is safe even without electrical power it may still be armed and can fire without power being applied.





Read and understand this manual. It contains important instructions for the safe operation of the machine. Under no circumstances must an inexperienced operator be allowed to work with the machine.

Connecting the battery:

Ensure you are behind the machine, the **ARM/DISARM** switch is in the **OFF** position and it is otherwise safe to proceed. Connect the red cable to the Red (+) terminal and the black cable to the Black (-) Terminal. Ensure the terminal fasteners are tight and the charger has been removed.



Disarming the machine (Safe mode).

1. To disarm the machine push the **ARM/DISARM** switch upwards to the **DISARM** position and immediately release (long enough for the trap to fire, but not giving the machine a chance to rearm).
2. Turn the **ON/OFF** or  switch (if fitted) to the OFF or  position and disconnect the battery.

Positioning the machine

1. Clay Target Launchers must be situated on firm level ground in a position that will allow unrestricted access to rear of machine.
2. There must be no obstructions to the path of the throwing arm.
3. Ensure that the power supply can be easily disconnected and cables cannot become tangled in any part of the mechanism.

Firing the machine (Ensure the range is clear at the front of the trap.)

1. Turn the **ON/OFF** or  switch (if fitted) to the ON or  position and set the **ARM/DISARM** switch to the **ARM/LOAD** position. The machine will move automatically and arm itself ready to launch a loaded clay.
2. Press the **FIRE** button on the command cable to throw a clay.
3. The machine will fire every time the **FIRE** button is pressed and will automatically rearm itself, until disarmed and switched off. When switched off, disconnect the power source.



ALWAYS disarm the machine before any, adjustment or maintenance.
ALWAYS disconnect the battery after making the Trap safe.
ALWAYS approach the Trap from the rear, **NEVER** from the front or sides and **ONLY** if the machine is disarmed .
NEVER allow children or untrained persons to approach the machine.
NEVER move an armed/loaded machine.
REMOVE the main throwing spring before transport in a vehicle.
BE AWARE of the fall zone of both broken and unbroken clays and that a change in wind direction will affect this.



WARNING BEFORE ANY MACHINE ADJUSTMENTS

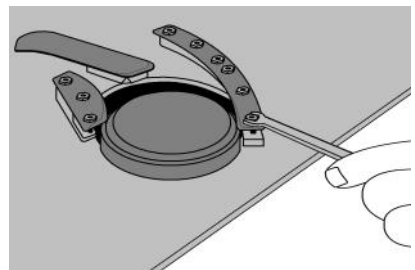
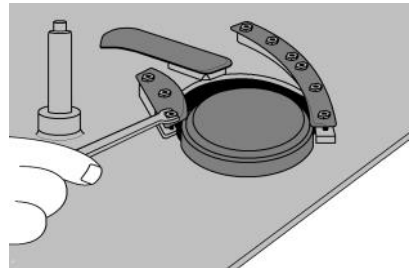
Part of this procedure requires you to work very close to the trap - before proceeding be sure you understand and have practised the procedure for putting the trap into safe mode (this can be found on page 5 of this manual) and fully understand when the trap is safe and when it is not.

Adjustment: Setting up knife edges

Place a clay target on the top plate and slide it under the knife edges. Using a 10mm spanner/wrench, adjust the height of the leading edge of both knife edges by moving the nuts on each side of the knife edge. When the correct height is reached, lock the nuts against each other.

It is desirable to have the knife edges as close to the shoulder of the clay as possible but leaving sufficient clearance to allow for deviation in clay thicknesses. Spinning the clay will give a good average of the shoulder height. This height is factory set and should work 'out of the box'. It is worth a quick check to ensure these settings match your brand of clays.

It is important that the clay is not pinched but can move freely beneath the knife edges. A gap of around 0.5mm usually works well. If the shoulder height deviates, set to a greater clearance.

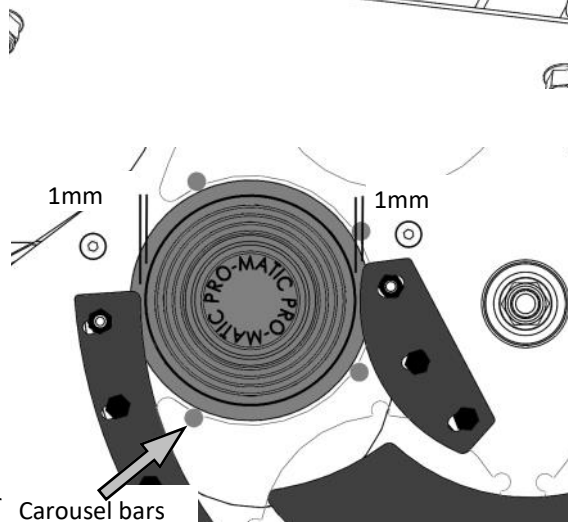
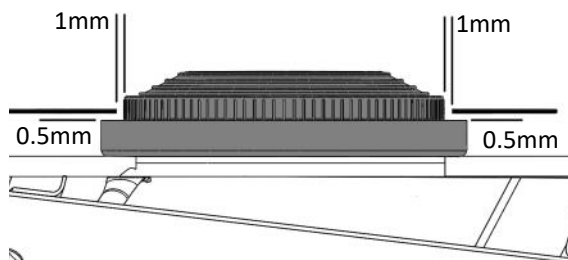


It is also important that the knife edges have the correct clearance around the diameter of the clay and that they support the skirt of the clay above the knife edges for its entire travel along them.

To set this, slacken the nuts holding the inner knife edge. Hold the clay against the inner two carousel bars and gently tap the knife edge until there is approx. 1mm clearance between the dome of the clay and the knife edge. Tighten the fixing bolts.

Now hold the clay against the two outer carousel bars. Again gently tap the outer knife edge until there is approx. 1mm clearance between the dome of the clay and the knife edge. Tighten the fixing bolts. Refer to the illustrations.

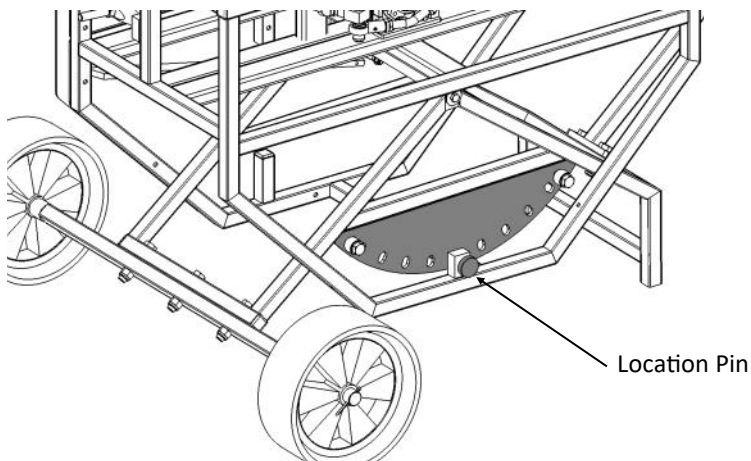
The procedures for adjusting the height of the knife edges and the clearance to the dome of the clay are best performed together. Care taken at this stage will result in fewer 'no birds' and many hours of trouble free use.



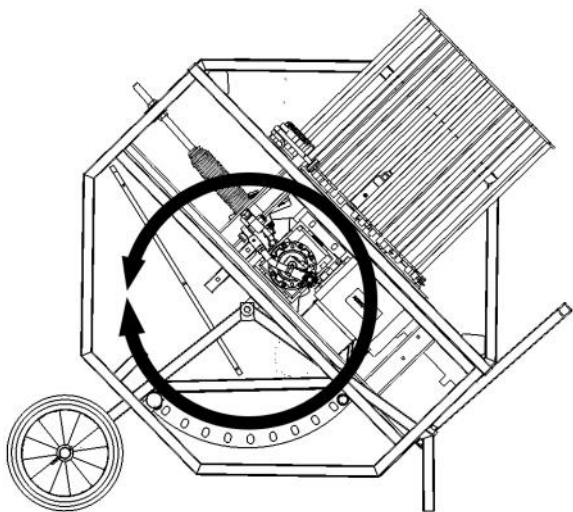
Problems usually revolve around the clay pigeons themselves or the variation in their sizes between the different manufacturers. Poor maintenance and cleaning or physical damage caused during transportation of the machine are the other normal causes. Items that should be treated with great care include the throwing arm, casting plate and electrical box.

Adjustment: Setting Elevation Angle

The trajectory of the targets can be set from Rabbit to near Teal mode. Loosen the location pin by turning anti-clockwise. This will release the trap from the base enabling the desired elevation to be set. Turn the pin clockwise to lock the trap, ensuring the pin is located into the slots in the base.



Be aware that when making Elevation adjustments, the Trap is likely to move suddenly. Support the weight of the machine from the top of the carousel when adjusting these settings.



After undoing the location pin the trap can rotate both forwards and backwards to allow for different presentations of target. Rotate the trap backwards to simulate an upward Teal, forwards for a Rabbit.



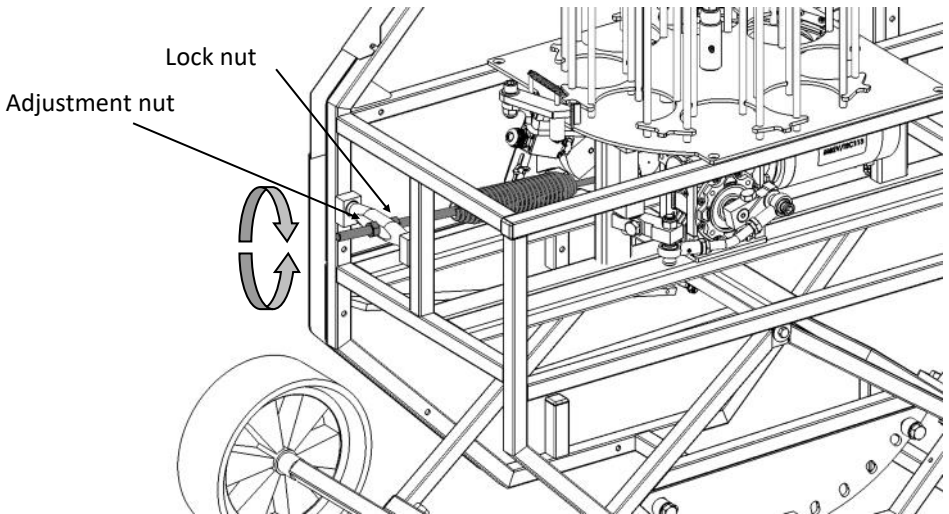
ALWAYS disarm the machine before carrying out loading, adjustment or maintenance.

Adjustment: Spring Tension

Spring adjustment is always easier if the spring roller on the main shaft is at its rear-most position, this relieves a large proportion of the spring tension making adjustment much easier as well as reducing wear on the spring adjustment mechanism. To achieve this, first perform the transit Mode Procedure (see page 4) and then nudge forward until the throwing arm projects forward from the front of the machine. At this point stop nudging and disconnect the battery. Loosen the spring adjustment nut.

To increase the spring tension, move the Lock nut towards the coil spring and then tighten the Adjustment nut behind it.

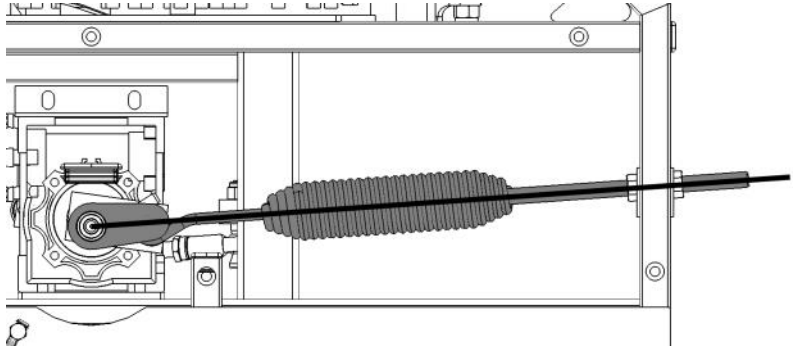
To reduce the spring tension, move the Adjustment nut away from the spring coil and tighten the lock nut behind it.



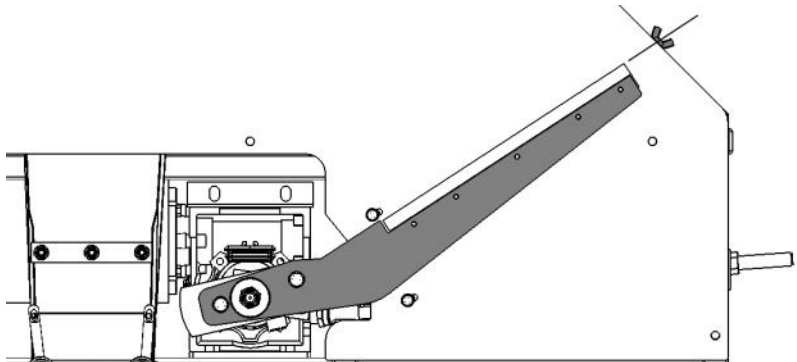
Important: leave 30mm (1 3/16") thread length between lock nut and spring coil. Increasing spring tension up to full length of thread will seriously detriment the performance of the machine and will cause spring damage or failure.

Adjustment: Throwing arm timing

- A. Disarm the machine by flicking the ARM/DISARM switch upwards towards the DISARM position and immediately releasing (long enough for the trap to fire, but not giving the machine a chance to rearm).
- B. Flick the ARM/DISARM switch upwards towards the DISARM position repeatedly until the gearbox block points roughly towards the back of the machine at approx. the 7 o'clock position. Rotate the arm using the palm of your hand until the crank pin on the main shaft contacts the gearbox crank pin. Now flick the ARM/DISARM switch once. The throwing arm should follow the motor as you nudge. If not push the arm round again until the two crank pins touch. Make sure the gap between the two crank pins is not too big. The spring should pull the arm against the gearbox crank pin. Now nudge the motor around until the throwing arm forms a straight line with the spring. See Diagram below.



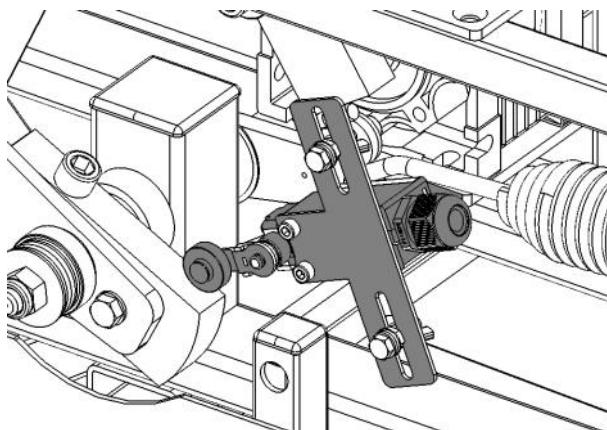
- C. With the machine in this state the throwing arm should point towards the wing nut fastener on the mainframe. See diagram below.



- D. If the arm needs to be adjusted, loosen the throwing arm clamp block bolt until the throwing arm will move around the main shaft. Rotate the throwing arm clockwise (this is so the main shaft is held by the one-way bearing and doesn't move) until the throwing arm points towards the wing nut on the mainframe.
- E. Making sure both the main shaft crank and the throwing arm remain in the positions described, firmly tighten the throwing arm clamp block bolt. The arm timing is now complete.

Adjustment: Roller Switch

Loosen both wing nuts and slide the roller switch to adjust the arm stopping position. See the troubleshooting section for further instructions.



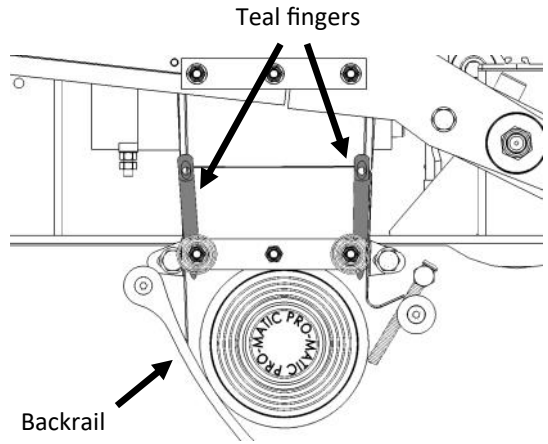
ALWAYS disarm the machine before carrying out loading, adjustment or maintenance.



ALWAYS disarm the machine before carrying out loading, adjustment or maintenance.

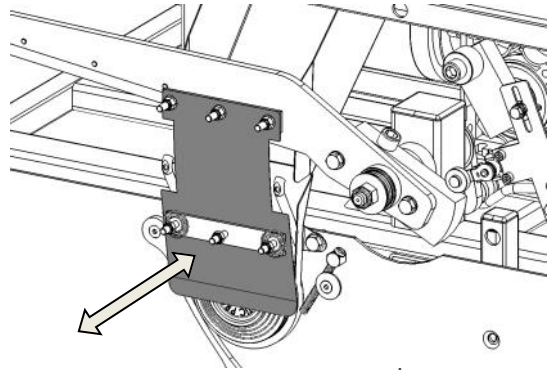
Adjustment: Teal Fingers

The Trap has 2 teal fingers fitted to the inside of the outer guard plate. Both the Teal fingers should be positioned so they rest on the casting plate and lie down the edge of the chute, one either side of the path of the clay.



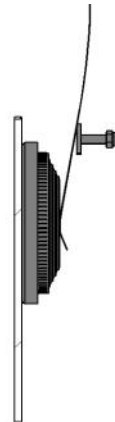
Adjustment: Deflector Plate

The deflector plate is adjusted using the 3 nuts as shown in the illustration to the right. The outer 2 nuts are used for Standard clays. The centre nut is used for Rabbit clays. When setting the deflector plate for Standard clays, adjust the 2 nuts until the clay is just held against the casting plate with no gaps. The clay should be held across the centre of the dome.



When setting up for Rabbit clays, Unscrew the 2 outer nuts, then adjust the centre nut until the Rabbit clay is just held in the same way. This is usually done by unscrewing the nut allowing the springs to extend the deflector plate further towards the casting plate.

Once set the centre nut will probably never need re-adjusting. Move between Rabbit and Standard clays simply by adjusting the 2 outer nuts. (Refer to 'Switching from Standards to Rabbits on Page 13).



Adjustment: Switching from Standards to Rabbits (USA models only)

Ensure that the machine is in the **DISARMED/SAFE** position and that the battery is disconnected.

Remove the outer guard by un-doing the 19mm nylock nut and the two 6mm wing nuts. Remove the standard throwing arm and replace with the Rabbit throwing arm. The arm is attached to its mounting block with two bolts, a 19mm or 3/4" spanner will be required. **Do not** move the mounting block position on the main shaft or machine timing will be lost and have to be reset. After fitting the arm, refit the outer guard.

The clay deflector will now need to be adjusted. This is done by un-winding the three lower horizontal 10mm nylock nuts on the side of the outer guard. By loosening these three nuts the spring loaded deflector is pushed closer to the clay. This is necessary as the thinner Rabbit clays would fall out the bottom of the machine if the deflector was left set for Standard clays. Adjust the three nuts enough so that when a Rabbit clay is loaded the deflector supports it and holds the clay against the throwing plate.

If the clay is to be loaded the upside down, spacers (supplied) need to be fitted beneath the knife edge blocks and a second carousel washer (supplied) fitted onto the carousel shaft. The knife edges will need to be reset, see page 6.

Prepare the machine for operation and fill with Rabbit targets before reconnecting the battery. Take care to ensure they are loaded correctly!



ALWAYS disarm the machine before carrying out loading, adjustment or maintenance.

Electrical Troubleshooting.

- 1. Machine does not cock** (i.e. come to the loaded position).
 - (a) Check the battery is charged and that the connections are clean and tight.
 - (b) Check the toggle switch is in the down (ON) position.
 - (c) Check the Throwing arm is clear of the Roller switch under the Casting plate. If not, then press toggle switch up to nudge the Arm around until it is clear, then switch it back down to the ON position. During this procedure it is possible the machine will fire.
- 2. Machine still does not cock.**
 - (a) Check all connections are tight including those inside the electrical box. Check for broken wires and damaged connections.
 - (b) If there are no broken connections (battery connected, all switches on) press toggle up to “NUDGE”, listen and watch for the 12v relay operation in the control box.
 - (c) If the relay operates but the motor does not turn - short across the 2 large contacts on the relay with a screw driver or piece of wire. (These are the two terminals with red wires connected to them). If the motor does not turn - then the motor is suspect. If the motor does turn - then the relay is faulty. Contacts may be dirty or worn out.
 - (d) If the relay does not operate – check the fuse has not blown. Replace fuse if it has blown and try again.
 - (e) If the motor does not turn - then short the brown wire to the yellow/green wire on the back of the toggle switch with the switch in the “NUDGE” position. If the relay operates and the motor turns then the toggle switch is faulty. If the relay still does not operate, then it's the relay that is faulty.
- 3. Machine runs in “NUDGE” position, but not in “ON” position.**

If the arm is clear of the Roller Switch then the Roller Switch may be faulty. Check that the roller arm is not seized. If so, strip, clean and re-assemble. Otherwise replace the Roller Switch.

4. Machine cocks, but will not fire on command cable button.

- (a) Either the connections, cable or command push button are faulty. Disconnect the Hirschman connector on the command cable. At the Hirschman connector or on the trap, short out pins 2 & 3.

If the trap does not fire then there is a broken wire in the cable or a bad connection in the hirschmann connector or in the control box.

- (b) If the trap does fire then reconnect the command cable, remove the cover on the push button box and short across the two spade connectors. If the trap fires - then the push button is faulty. If the trap does not fire - then there is a broken wire in the command cable or a bad connection in the hirschmann connector.

5. Trap fires by itself!

- (a) Disconnect the command cable and switch the trap back on. If the trap cocks normally - then the command cable is damaged or shorted out. Alternatively, the push button switch is stuck in or faulty.
- (b) If the trap continues to fire - then check the arm to crank timing relationship as described on page 10 in this manual. If the above relationship is correct then, after having put the trap into the disarmed/safe position, move the roller limit switch up along the slotted bracket to its maximum. If the machine now cocks normally - then move the limit switch back to within 5mm of its original position. If the trap now fires by itself again then move the switch to 10mm of its original position and so on until the trap cocks normally under all conditions.
- (c) If the machine still fires by itself - check if the relay contacts have stuck together, and if so replace. If the relay operates correctly, but the trap still fires by itself, then the roller limit switch is faulty and should be replaced.

ALWAYS disarm the machine before any loading, adjustment or maintenance.

ALWAYS load clays from rear and **ONLY** if the machine is disarmed and safe.

NEVER approach the machine from the front or sides. **ALWAYS** from the rear.

NEVER allow children or untrained persons to approach or touch the machine.

NEVER move an armed/loaded machine.

ALWAYS disarm and disconnect battery.

REMOVE the main throwing spring before transport in a vehicle.

BE AWARE of the fall zone of both broken and unbroken clays and that a change in wind direction will affect this.



ALWAYS disarm the machine before carrying out loading, adjustment or maintenance.

Mechanical Troubleshooting.

1. Carousel does not rotate

Check.

- a) The carousel pusher arm is not jammed.
- b) The pusher return spring is broken or missing. Replace if necessary.
- c) With the pusher arm withdrawn, the carousel should be free to rotate with a small amount of friction. This is adjusted by tensioning the lock nut against the blue plastic sleeve at the centre of the carousel.
- d) The carousel timing is correct i.e. When the gearbox crank is horizontal pointing to the back of the machine, the rollers on the bottom of the carousel pusher arm should be 1mm clear of the top plate at maximum travel. Adjustment can be made by slackening the clamp on the rear pusher shaft and resetting the rear pusher as above. Retighten the clamp before operating the trap.

2. Sub standard targets are thrown

- a) If the clay has an irregular flight it is likely that the arm is bent down or the casting plate is bent up. This has the effect of pinching the clay causing the irregular flight. Straighten the arm and/or reset the casting plate. If this is not possible, replace them as necessary.
- b) The clay has no distance — the throwing arm is probably bent away from the casting plate allowing the clay to pass beneath the arm. This loss of contact will significantly reduce the thrown distance and can also lead to broken clays. Straighten or replace the arm.
- c) The trajectory of the clays is inconsistent. This can be caused by a warped arm not holding the clay against the casting plate. In this case, straighten the arm and reset the height of the casting plate to give a gap between the friction strip on the arm and the shoulder of the clay of between 1mm and 1.5mm. Sometimes the thickness of the clay shoulder varies. Resetting the height of the casting plate in the same way as above will restore clay target consistency.

3. The trap breaks clays

Check the loading procedure.

- a) Check that the clays are intact and free of chips and cracks before loading into the carousel. Discard damaged clays.
- b) With the trap switched off, rotate the carousel by hand until a clay feeds onto the casting plate. Remove this clay and check for chips and cracks. If found, remove the entire carousel and find a clay that has the thickest shoulder. This clay should slide easily beneath both knife edges as per the setup instructions on Page 6. If this is not the case, reset the knife edges using the same procedure.
- c) If the clay breaks on contact with the casting plate, check that the soft fall plate offers a degree of damping for the clay as it drops. By design, the soft fall plate should sit very slightly above the casting plate, and should assume a slightly domed shape. Check this and make adjustments if necessary. Note that the gap between the soft fall plate and the casting plate is very small. If after adjustment the clays are still breaking it is likely that the clay is too soft and unsuitable for use.
- d) Check that there are no tight spots in any of the carousel pockets. Test this by taking a handful of clays and slide them up and down the length of the carousel pockets. If they are tight against any of the rails, reshape them to allow free movement. This can be made easier by using a lever such as the handle of a spanner.

If the clay is now dropping correctly onto the casting plate prior to firing, but the trap fires a broken clay, then the fault probably lies in the throwing cycle.

4. Check the throwing cycle.

- a) Check the throwing arm for straightness, for pieces missing from the rubber/plastic friction strip or any other physical damage to the arm. If the arm cannot be straightened then it should be replaced. A new friction strip can be fitted to an old arm if necessary .
- b) Check for damage to the casting plate especially the front edge of the plate. Check for flatness, ensure that no screw heads protrude and that there are no other obstructions to the clay's path. Correct faults as necessary.
- c) Check that the screw holding the throwing arm to the clamp block is tightened correctly.

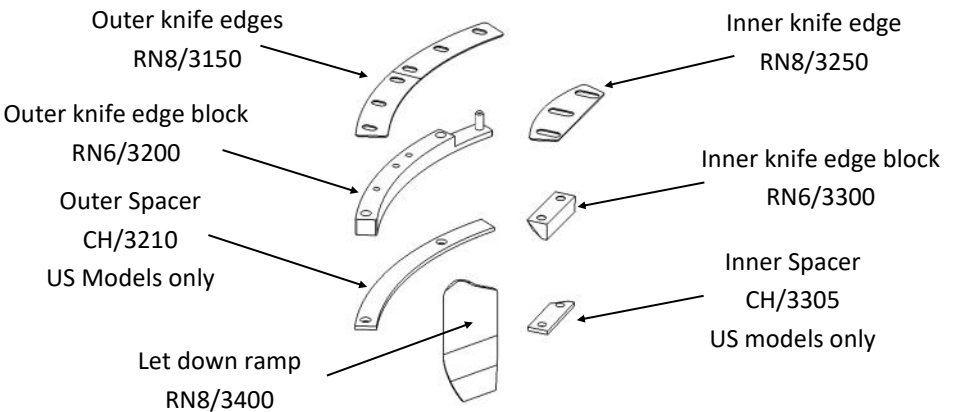
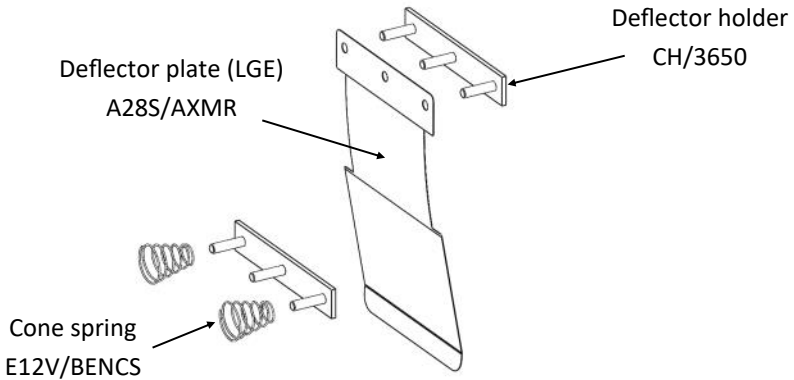
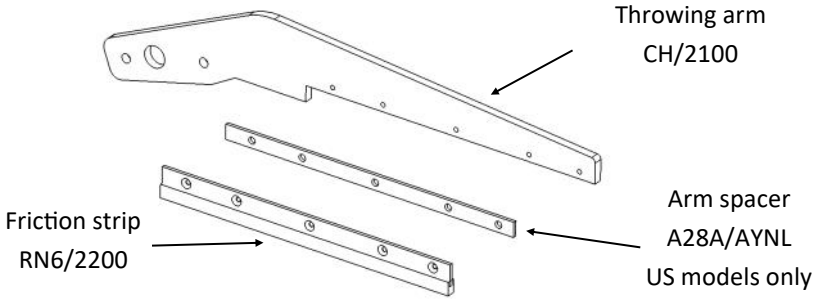
- d) Check the Throwing arm timing relationship. If this relationship is incorrect the trap will definitely break clays when throwing. The timing can be adjusted to the diagram found on Page 10 in this manual.
- e) Finally, after all the above has been tried, as a check for inferior clays, slacken the main spring. Fire a few clays with the spring slack. This significantly reduces the stresses put into the clay during the firing process. If the clays break, this is a good indication that the clays themselves are sub-standard.



ALWAYS disarm the machine before carrying out loading, adjustment or maintenance.

Spare Parts List:

This is a list of spares, but is not exhaustive. For parts not listed please call Promatic or you local dealer / service agent or visit www.promatic.co.uk





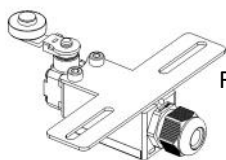
Main bearing set
B00V/SET1



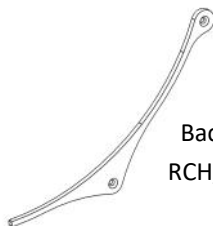
Rear pusher roller
D04N/RN25



Spring roller
RN6/2630



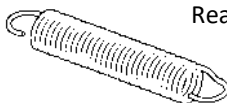
Roller switch
CH/7200



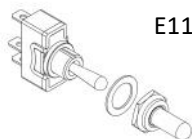
Backrail
RCH/3440



Main spring
S01Z/SHTR



Rear pusher spring
S02Z/037D6



Toggle switch
E11V/7430



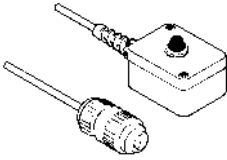
Neoprene
Hood



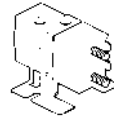
Push Switch



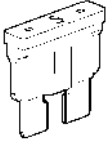
Full Assembly
E11V/7410



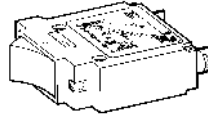
Command cable
E03V/CCCH



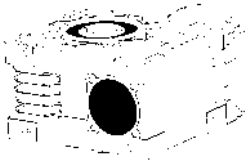
Albright relay
E09V/SW618



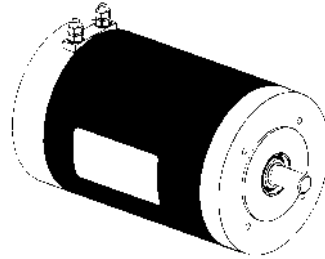
5 amp fuse
E10V/F05A



Trip Switch (50A)
E10V/MB50A



Gearbox M03V/MV50R60



Motor M02V/TEC113



Battery terminal clamp
Positive (Red) E06V/45100
Negative (Blue) E06V/45110



Teal Finger
RN6/3500
(Inc. bolt)

Spare Parts List:

For parts not listed please call Promatic or you local dealer / service agent or visit

UK & ROW — www.promatic.co.uk

USA — www.promatic.biz

NOTES:



Barclay Phelps CE Marking Consultants, 29/8 City Mill Lane, Gibraltar 646, Europe

CERTIFICATE & DECLARATION OF CONFORMITY FOR CE MARKING

Company contact details:

Promatic International Ltd.
Station Works, Hooton Road, Hooton, S Wirral, CH66 7NF, United Kingdom
Tel: +44(0)151 327 2220 Fax: +44(0)151 327 7075 e mail: info@promatic.co.uk

Promatic International Ltd. declares that their:

Clay Target Launchers listed as the following models
Elite, Hawk, Superhawk, Harrier, Harrier ABT/Wobble, Eagle, Eagle Battue, Hobby / Merlin,
Ranger 8, Osprey/All American Ranger, Ranger Battue, Ranger ABT/Wobble,
Sporter 400TT, Sporter 400TT ABT/Wobble, Super Sporter Battue, Super Sporter,
Super Sporter Downhill Thrower, Super Sporter ABT/Wobble, Rabbit, Squirrel,
Ranger Chondell, Chondell, Hunter Wobble, Huntsman, Huntsman XP,
Fieldsman, Club Skeet, Pro Skeet, Int Skeet, Olympic Trap, Club 275 DTL/ATA,
International DTL/ATA, Pro ABT/Wobble, Auto Trap DTL/ATA/ABT/Wobble,
International Doubles DTL/ATA/Wobble and Sporter Doubles DTL/ATA/Wobble

are classified within the following EU Directives:

Machinery Directive 2006/42/EC
Electromagnetic Compatibility Directive 2004/108/EC

and further conform with the following EU Harmonized Standards:

EN 12100-1:2003+A1:2009 EN 12100-2:2003+A1:2009
EN 61000-6-3:2007 EN 61000-6-1:2007

Dated: 19 April 2011

Position of signatory: Group Technical Director

Name of Signatory: Graham Stephen Fair

Signed below:

p.p. Promatic International Ltd.

A handwritten signature in black ink, appearing to be 'G.S.F.', is written over the printed name and company name.



Promatic International Ltd.

**Hooton Road
Hooton
South Wirral
CH66 7PA
United Kingdom**

Tel: +44 (0) 151 327 2220 (General)
Fax: +44 (0) 151 3277075

E-mail info@promatic.co.uk

Website: www.promatic.co.uk

Promatic Inc.

**801, Mid America Drive,
Plattsburg.
MO 64477
USA**

Toll Free: 888.767.2529
Fax: 816.539.0257

E-mail: sales@promatic.biz

Website: www.promatic.biz