

Form S

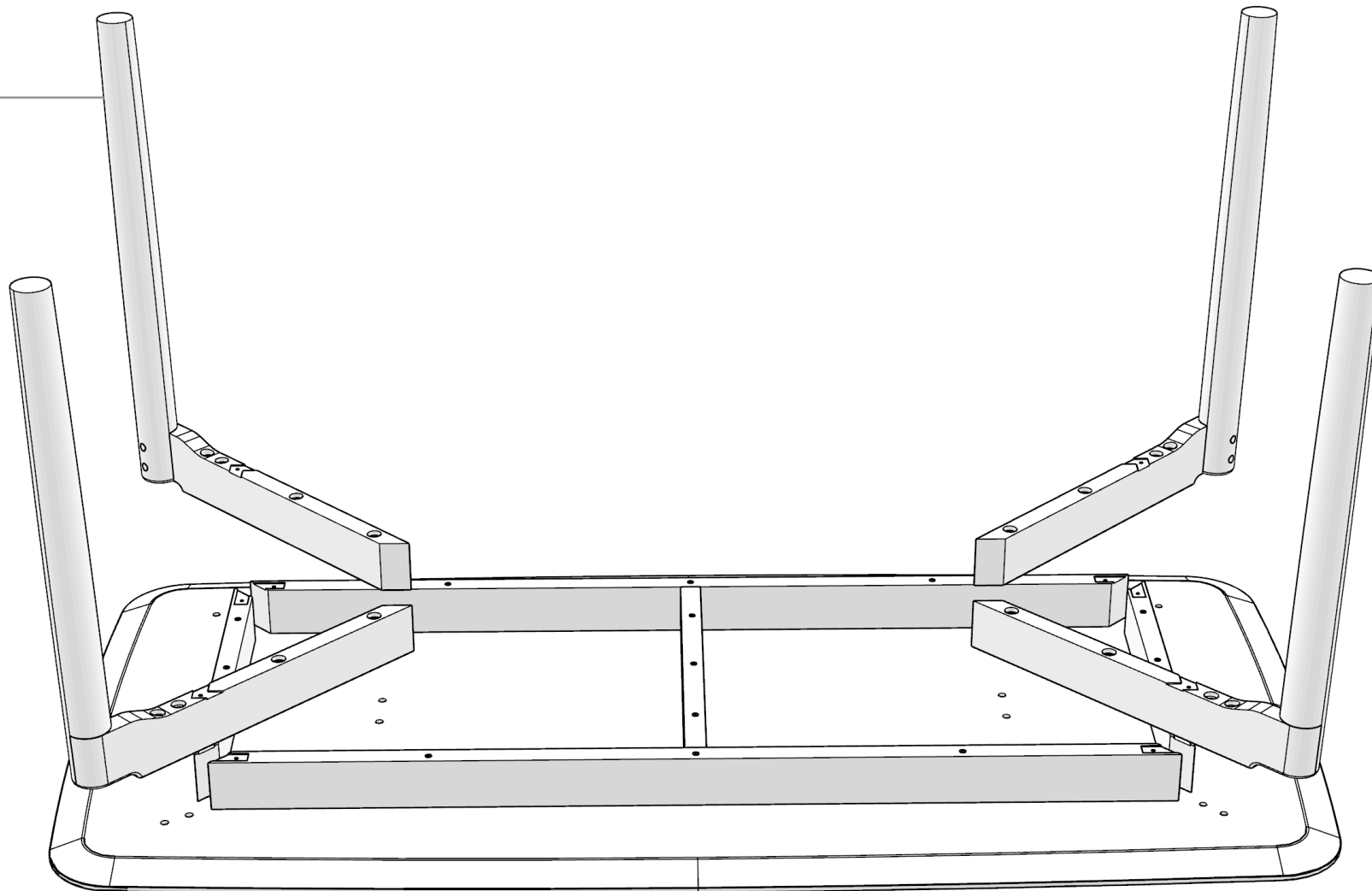
A 4x

B 8x60
12x

C 5
1x

D
4x

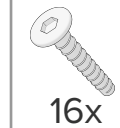
E 3x20
12x



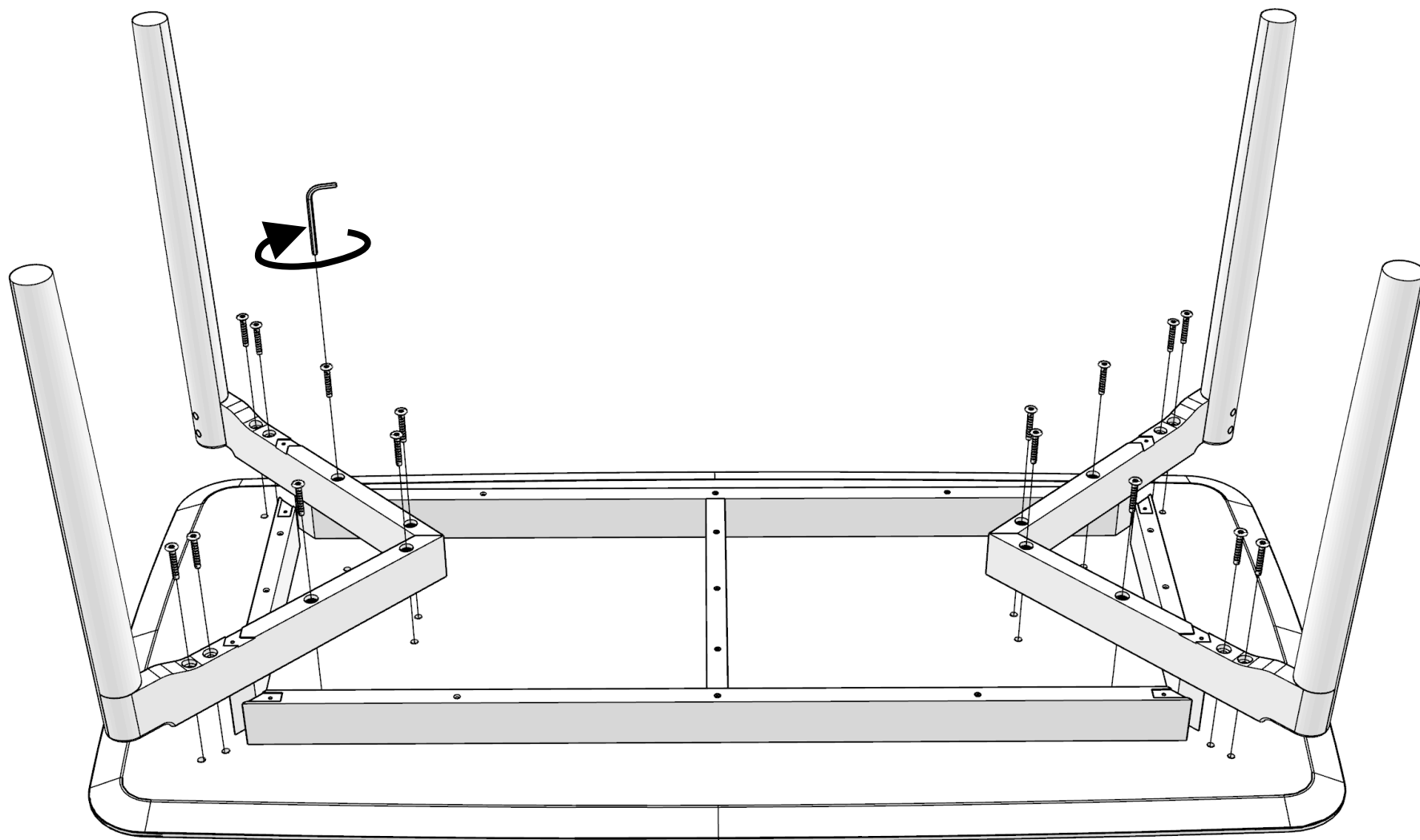
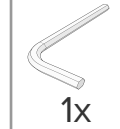
Form S

A 4x

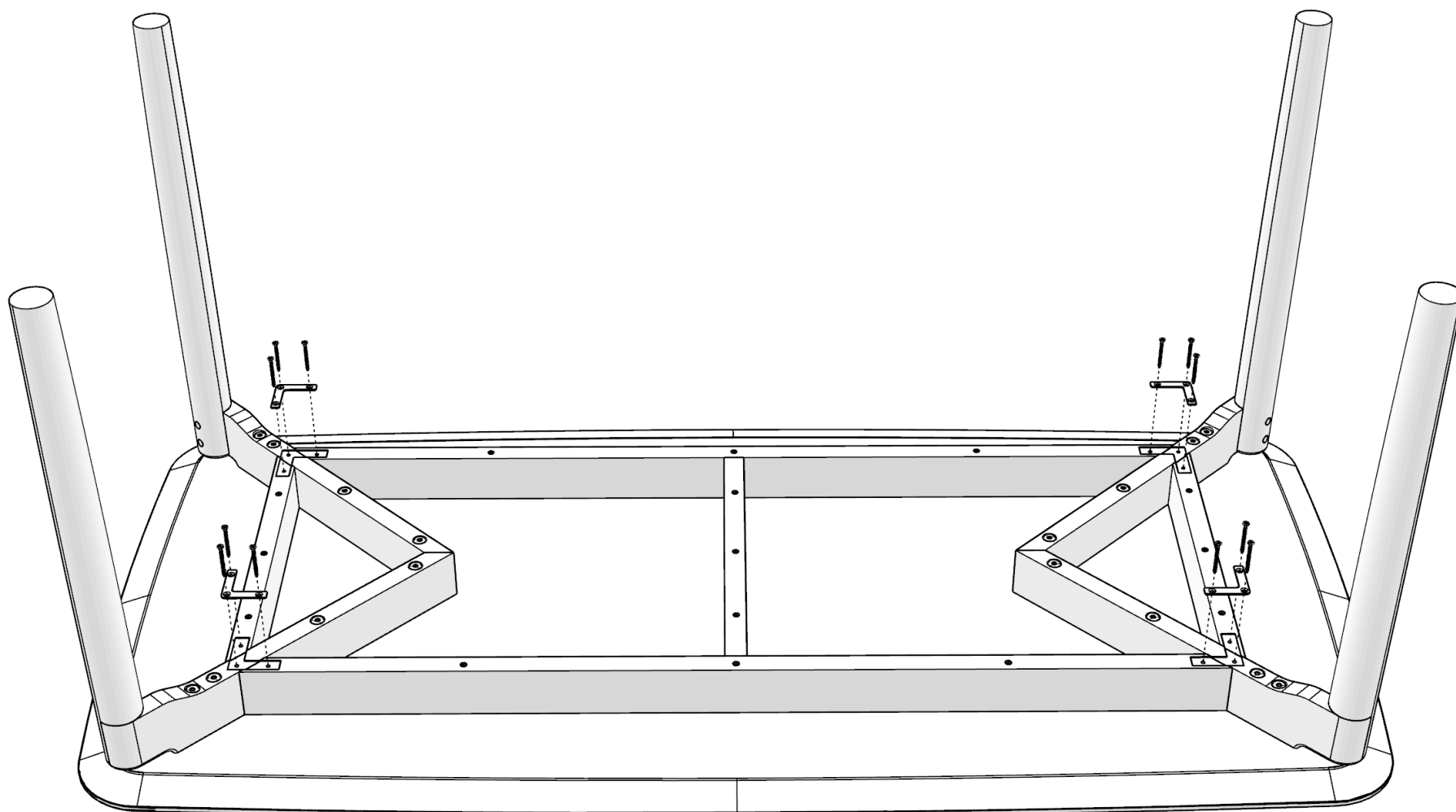
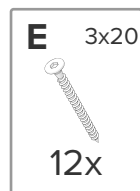
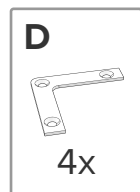
B 8x60



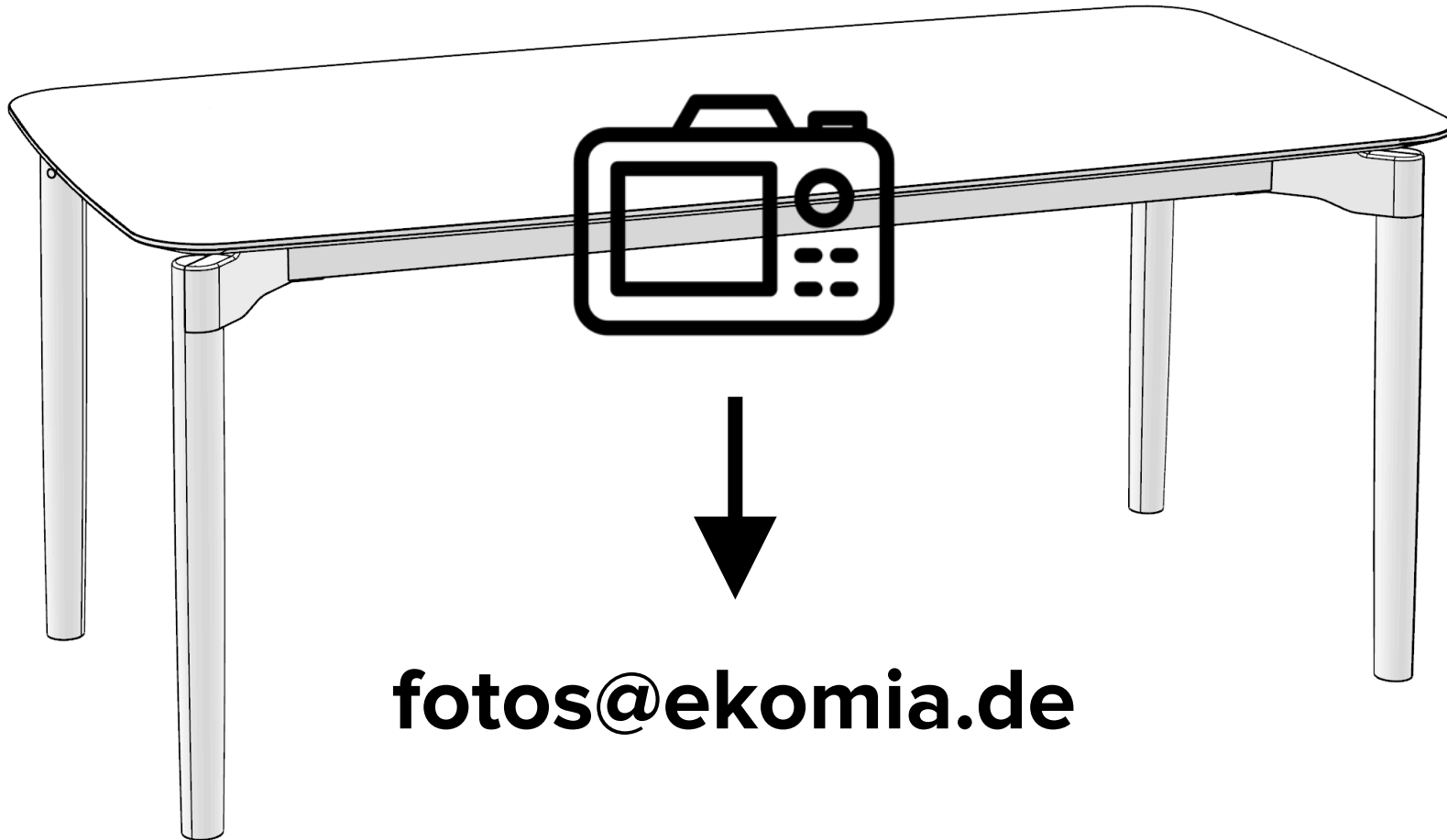
C 5



Form S



Chic!



fotos@ekomia.de