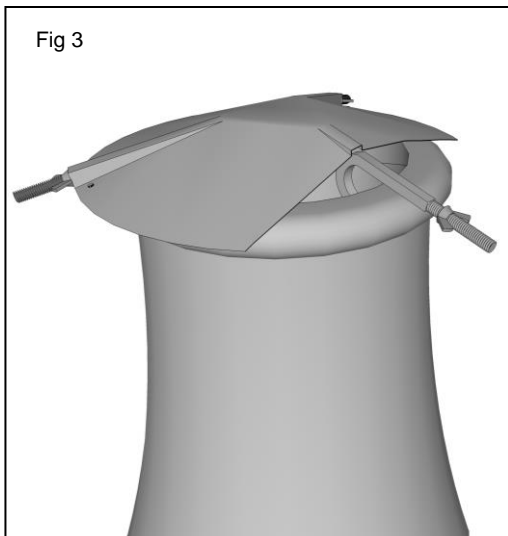
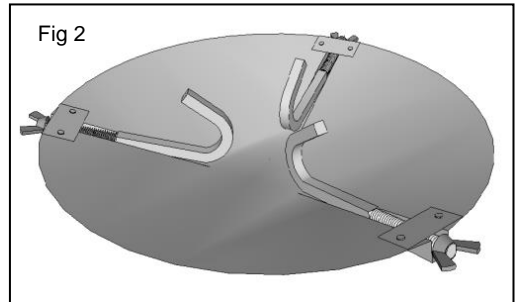
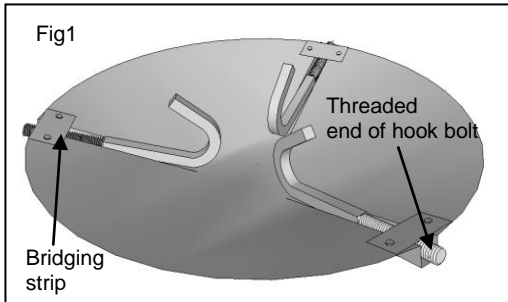


Brewer Chimney Capper Hook Bolt Model

A quick way to stop rain and bird entry to the unused chimney

- Prevents frost damage
- Easy to install
- Maintenance free
- Fits 150-250mm (6-10") internal pot sizes
- Prevents rain and bird entry
- Discourages soot fall
- Powder coated terracotta, black, buff or unpainted
- Easily removed should the chimney be required for use



Important: Only to be fitted to unused chimneys.

To fit the capper:

1. Place the capper upside down and insert the threaded end of the hook bolts under the bridging strips. (fig1)
2. Screw the wing nuts onto the hook bolts. (fig2)
3. Position the capper and hook bolt assembly centrally onto the chimney. (fig 3)
4. Alternately tighten the wing nuts in equal amounts until the capper is securely fixed in place. (fig3)