

**BREWER  
COWLS**

# Brewer Bonnet Cowl

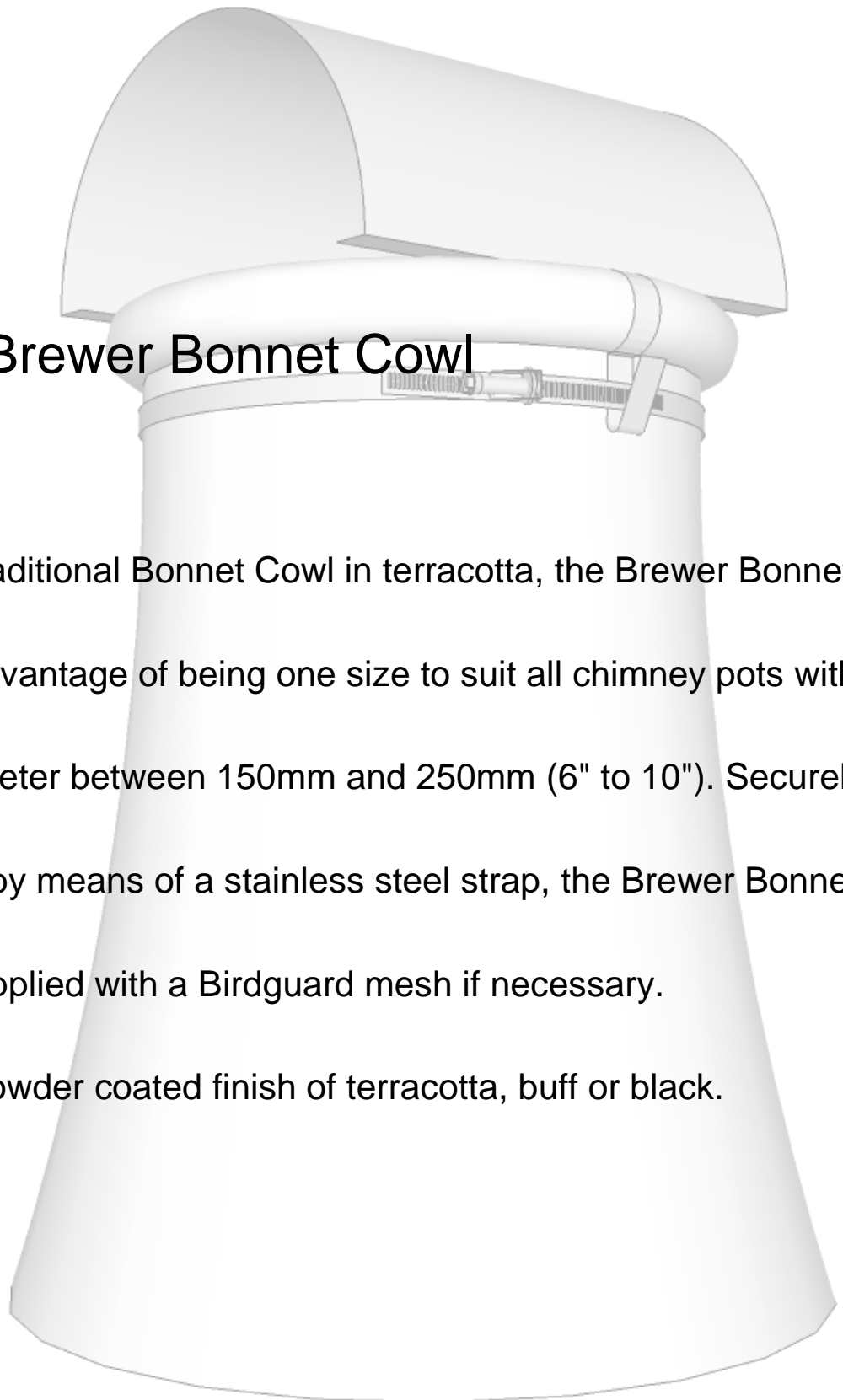
## Fitting instructions

**Important: the Brewer Bonnet cowl is for disused systems only**

### About the Brewer Bonnet Cowl

Based on the traditional Bonnet Cowl in terracotta, the Brewer Bonnet Cowl has the advantage of being one size to suit all chimney pots with an internal diameter between 150mm and 250mm (6" to 10"). Securely fixed to the pot by means of a stainless steel strap, the Brewer Bonnet Cowl can be supplied with a Birdguard mesh if necessary.

Available in a powder coated finish of terracotta, buff or black.



## To fit the Bonnet Cowl

1. With the Bonnet Cowl unpacked (Fig1), bend the legs outwards (fig2).
2. Place the Bonnet Cowl centrally on the chimney ensuring the locators fit snugly down the inside face of the chimney (Fig 5). It may be necessary to bend/flex the unit and locators to ensure a snug fit between the locators and the inside face of the chimney (figs 3&4).
3. Bend the legs down the outside face of the chimney. (Fig5)
4. Pass the stainless steel band around the longer external legs. (Fig5)
5. Position the stainless steel band approximately 50mm (2") above the lower edge of the legs. (Fig5)
6. Tighten the stainless steel band with a flat bladed screwdriver.
7. Bend bottom of legs back upwards over the stainless steel band and trim if necessary. (Fig6)

Fig1

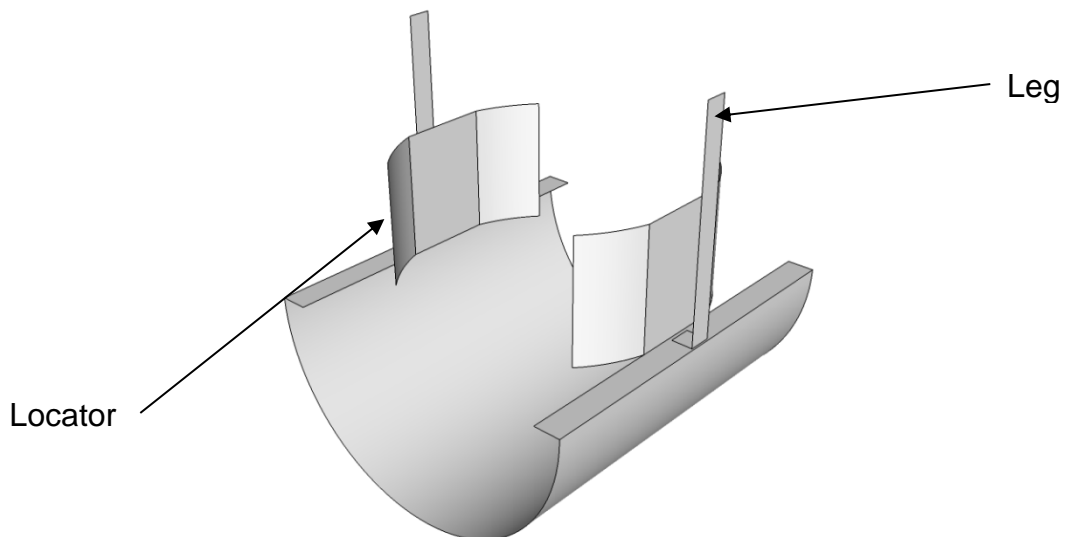


Fig2

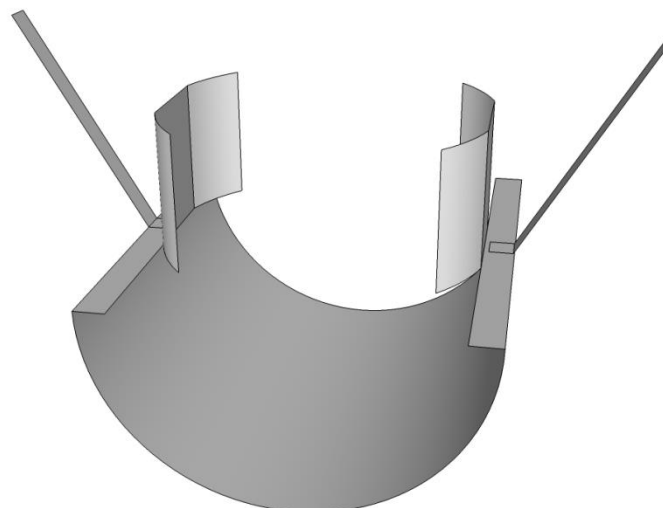


Fig3

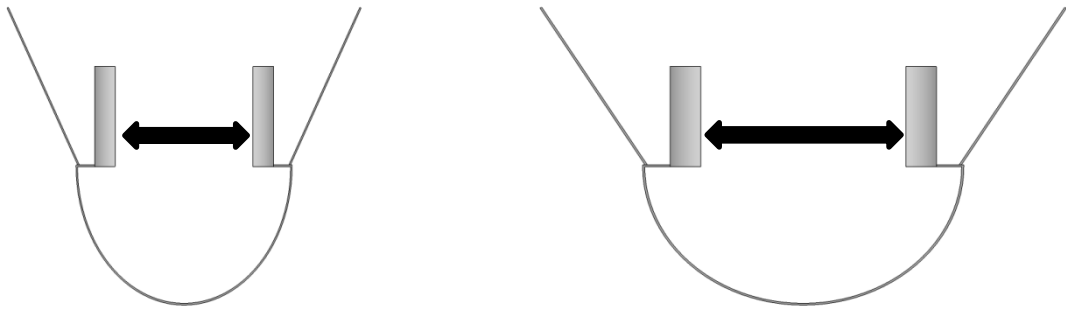


Fig4

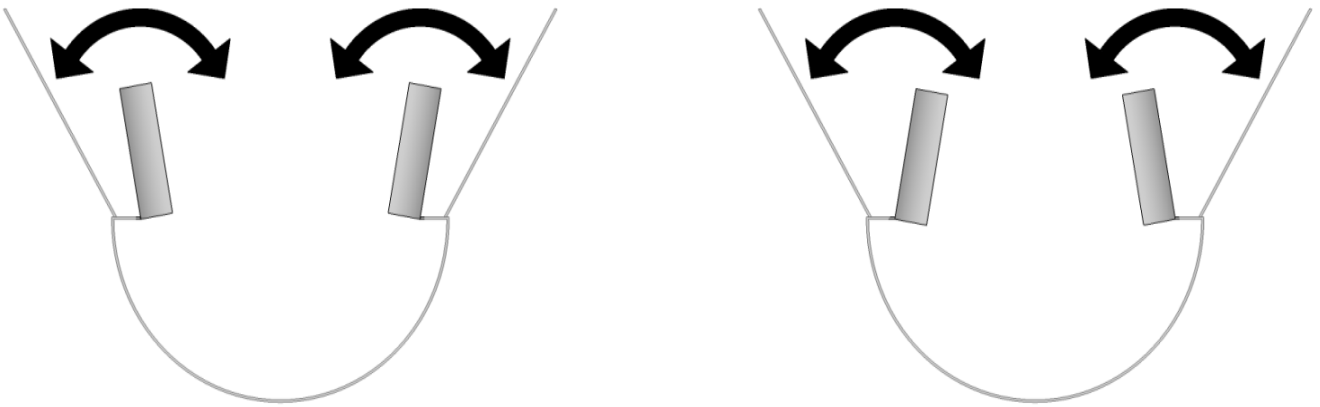


Fig5

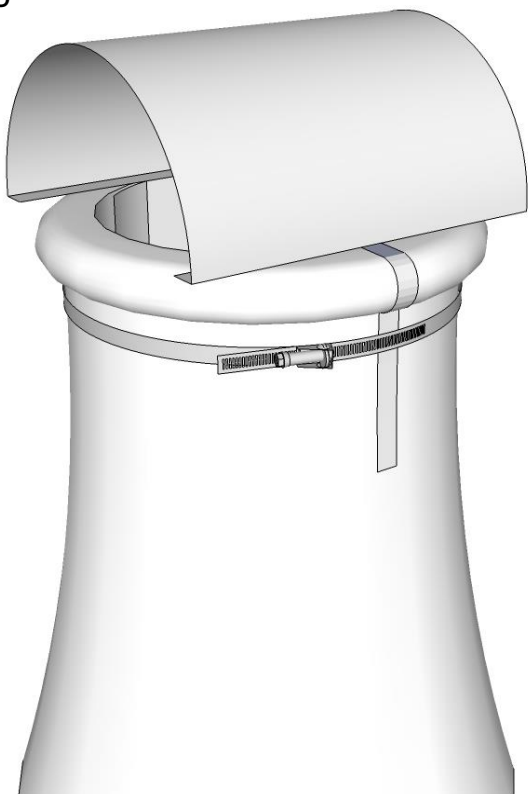


Fig6



## Technical Information

Model	Bonnet Cowl
Fitting range (internal chimney diameter)	150-250mm
<b>For disused systems only</b>	

