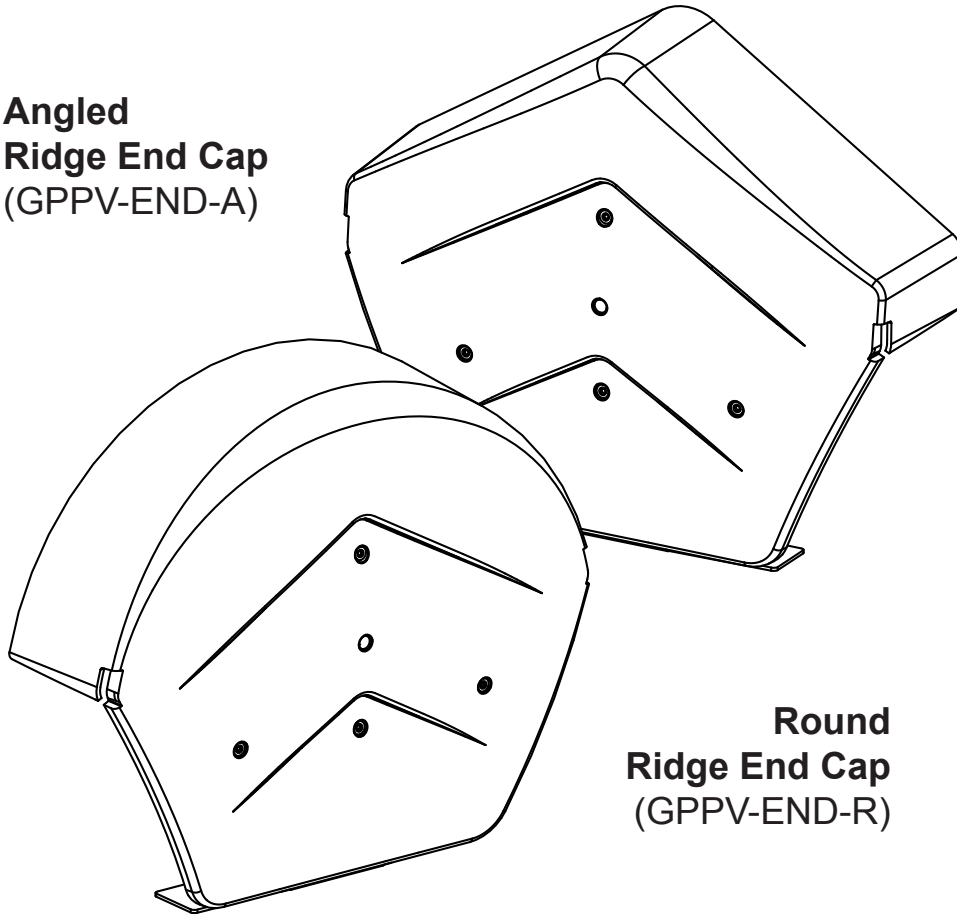


**Angled
Ridge End Cap
(GPPV-END-A)**



**Round
Ridge End Cap
(GPPV-END-R)**

Description

The Polypropylene Ridge End Caps are designed to work in conjunction with the SmartVerge Polypropylene Dry Verge Systems, both handed and ambidextrous, to provide a neat and attractive finish for most makes of round and angled concrete ridge tiles.

The Ridge End Caps provide durable protection at each end of the ridge, eliminating problems caused by water penetration whilst preventing the entry of birds and large insects into the roof cavity. Each Ridge End Cap is supplied with fixings and can be quickly and easily fixed directly to the ridge batten(s) in all weather conditions.

The end caps can also be used in conjunction with the Manthorpe dry fix ridge systems to close off the ridge ends.

Features

- Fast and easy to install, dry fix verge system.
- Suits both round and angled, concrete and clay ridges.
- Suitable for most makes of half round, segmental, universal angle & modern ridge tiles.
- Provides a mechanically fixed, mortar-free solution.
- Protects the ridge end from exposure to the elements.
- Also helps to prevent the entry of birds and large insects.
- Suitable for both new build and refurbishment details.
- Can be installed on roof pitches between 15° and 55°.
- Drains moisture away from the wall to prevent staining.
- Manufactured from UV stabilised polypropylene.
- Available in a range of colours to suit various roof types.
- System independently wind tunnel tested at the BRE.

MANTHORPE BUILDING PRODUCTS LTD
MANTHORPE HOUSE
BRITAIN DRIVE
CODNOR GATE BUSINESS PARK
RIPLEY
DERBYSHIRE DE5 3ND

TEL: 01773 303 000
FAX: 01773 303 300
EMAIL:
mbp.care@manthorpebp.co.uk
WEB
www.manthorpebp.co.uk

DRN B.H. Date 20.06.19

The company maintains a policy of continuous development of its product range and reserves the right to amend the specification without notice.

DRG No

MBP 8329

Issue

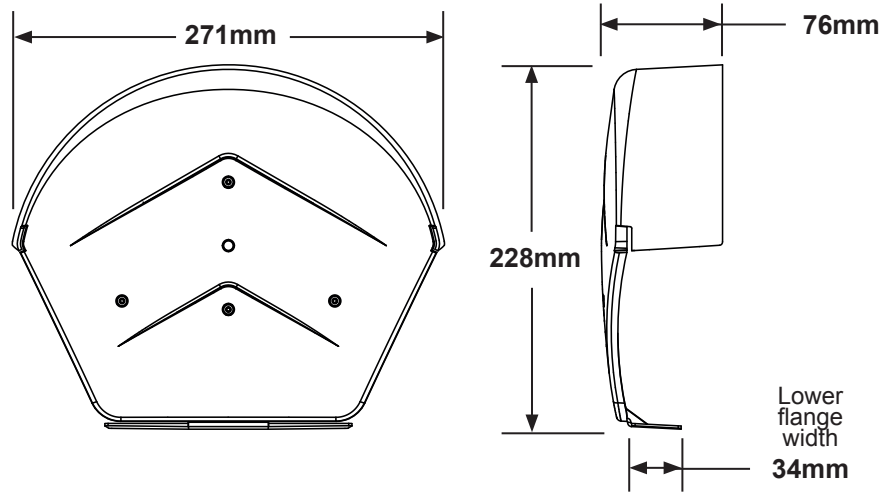
B

(1 of 2)

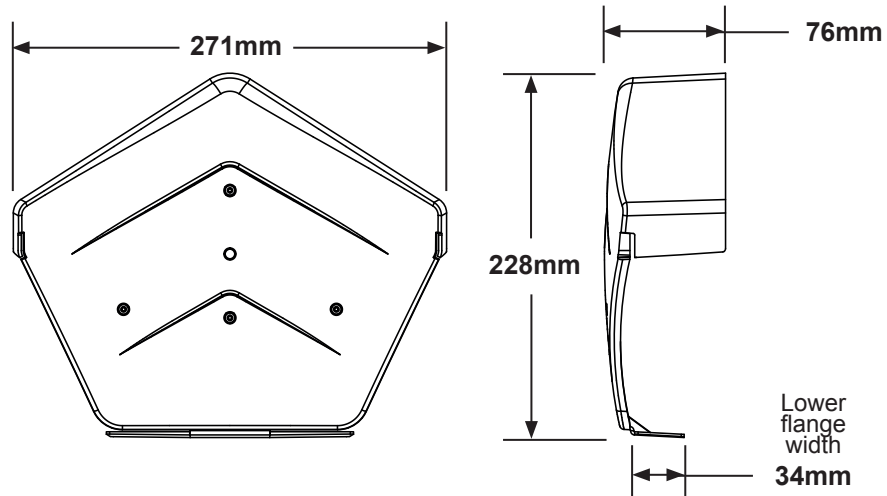
SmartVerge Polypropylene Dry Verge - Ridge End Caps

CODE GPPV-END-A/R

Round Ridge End Cap
(GPPV-END-R)



Angled Ridge End Cap
(GPPV-END-A)



Packing Details	20 per box. Bags of 2 Angled <u>or</u> Round end caps plus fixings. 10 bags per box.
Box Weight	3.5 kg (approx.)
Part Weight	0.164 kg (Angled) 0.164 kg (Round)

References
BSI: BS 5534:2014 Code of Practice for Slating and Tiling BRE: Test report number P110111-1000 NHBC: Standards - Chapter 7.2 Pitched Roofs

Ridge Tile Compatibility	Half round Segmental, Universal angle Modern ridge tiles
Material	Polypropylene
Manufacturing Process	Injection Moulded
Colours	(TR) Terracotta (BR) Dark Brown (GR) Slate Grey (BL) Black

MANTHORPE BUILDING PRODUCTS LTD
MANTHORPE HOUSE
BRITAIN DRIVE
CODNOR GATE BUSINESS PARK
RIPLEY
DERBYSHIRE DE5 3ND

TEL: 01773 303 000
FAX: 01773 303 300
EMAIL: mbp.care@manthorpebp.co.uk
WEB: www.manthorpebp.co.uk

DRN B.H. Date 20.06.19

The company maintains a policy of continuous development of its product range and reserves the right to amend the specification without notice.

DRG No
MBP 8329

Issue
B
(2 of 2)