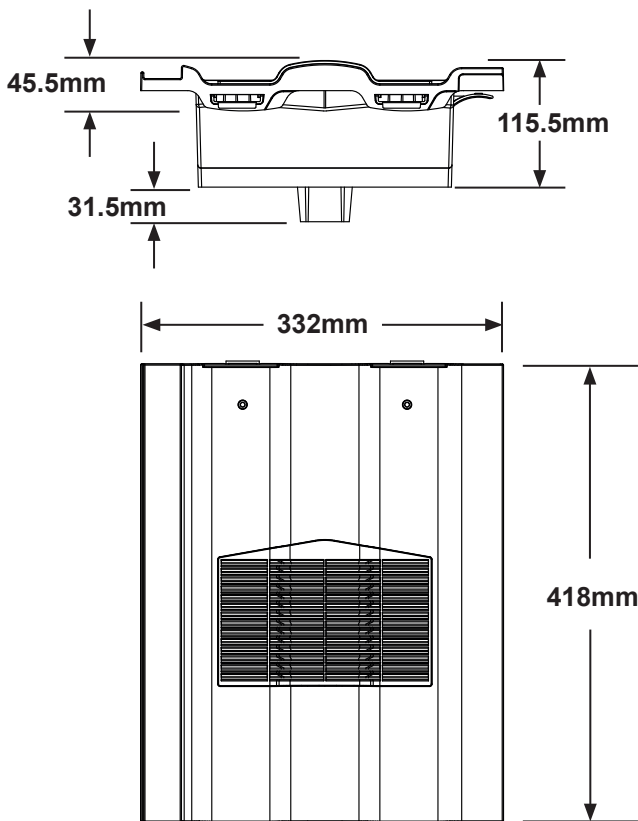


**Tile Ventilator Range - Castellated Tile**

CODE **GTV-CS**



**Description**

The Manthorpe Castellated in-line tile ventilator is designed to provide a quick and simple solution to the problems of roofspace ventilation and mechanical extraction / soil stack termination through a square topped profile tiled roof.

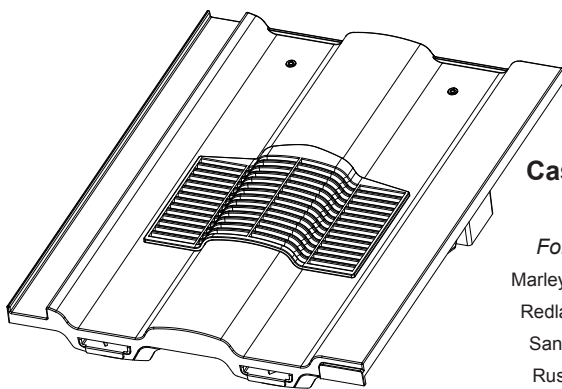
The profile vent is designed to replace a single tile and maintain an unbroken appearance to the roofline whether used at high or low level.

The tortured path through the 4mm louvred grill and internal weathering geometry is designed to maintain a 10k mm<sup>2</sup> of airflow whilst channelling any water ingress out of the vent and on to the roof covering.

<b>Weight</b>	1.06kg
<b>Box Qty</b>	4 (4.5kg per box)
<b>Materials - Top Base</b>	PVC Polypropylene
<b>Colours</b>	Terracotta, Grey, Brown & Antique Red
<b>Manufacturing</b>	Injection Moulded
<b>Free Airflow</b>	10K mm <sup>2</sup> per unit

**Features**

- In-line and discreet low profile design.
- 4mm louvred flyscreen grill.
- Integral sidelock clip to ensure secure fit.
- Range of profiles and colours available.
- Profiles suit all top tile manufacturers.
- Fully independently wind tunnel tested.
- Base outlet feeds directly into roof space.
- Adaptor available for mechanical extraction.
- Suitable for use down to a 20° roof pitch.



**Castellated Tile**

For use with:  
Marley Ludlow Major  
Redland Renown\*  
Sandtoft Lindum  
Russell Cheviot  
Lagan Square Top

\* Profile requires vent modification.

**References**

BSI: BS 5250:2002 Control of Condensation in Building  
BSI: BS 5534:2003 Code of Practice for Slate and Tiling  
BSI: BS 490:2004 Concrete tiles and fittings for roof covering  
BRE: prEN 15601  
Building Regulations 2010  
NHBC: Good Craftmanship Guides

MANTHORPE BUILDING PRODUCTS LTD  
MANTHORPE HOUSE  
BRITAIN DRIVE  
CODNOR GATE BUSINESS PARK  
RIPLEY  
DERBYSHIRE DE5 3ND

TEL: 01773 303 000  
FAX: 01773 303 300  
EMAIL:  
mbp.care@manthorpebp.co.uk  
WEB  
www.manthorpebp.co.uk

DRN B.H. Date 19.06.19

DRG No

Issue

The company maintains a policy of continuous development of its product range and reserves the right to amend the specification without notice.

**MBP 8296**

**B**