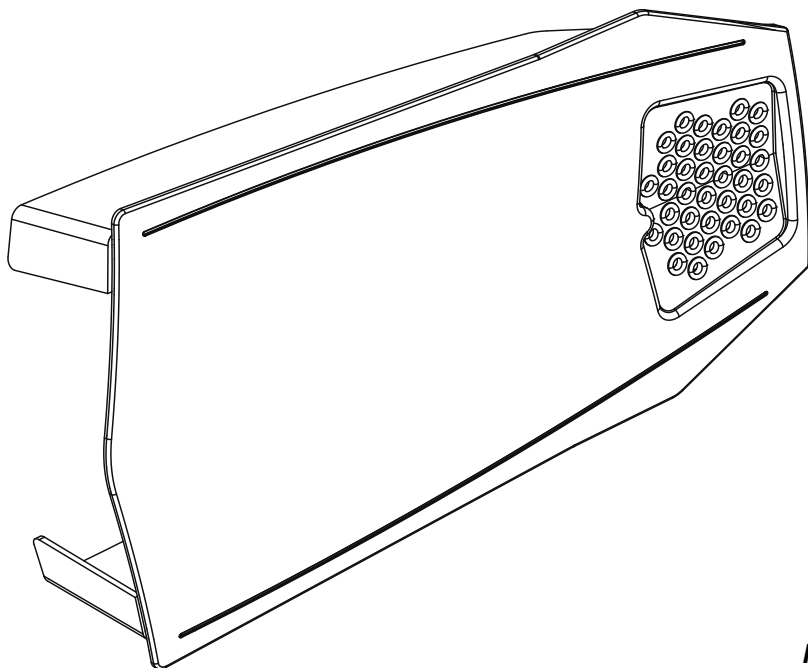


SmartVerge® Interlocking Plain Tile Dry Verge Units

Code: **GPPV-IPT**



Ambidextrous Interlocking Plain Tile Dry Verge Unit (GPPV-IPT)

Ambidextrous units suit both hands of the verge



Right Hand Verge



Left Hand Verge

Description

The SmartVerge® Interlocking Plain Tile dry verge system provides a neat and attractive finish to the gable end verge detail of a roof covered with interlocking plain tiles. The design of the system is ambidextrous and allows the units to be installed to either hand of the verge. The specially cambered flanges are designed to lay perfectly flat to the tile surface thanks to the unique split fixing plate, helping to eliminate tile kick up on the course above and increasing the effective drainage angle of the lower flange, improving the rate of water runoff from the verge and away from the wall.

The system is mortar-free and can be fixed in all weather conditions, easily capping over each tile in succession and once fitted they are weatherproof and maintenance free. The handed verge units are available in a range of colours to compliment any variation of roof design.

Angled or round Ridge End Caps are available to protect the end of the ridge while the unique Eaves Closure with its simpler fitting and colour matched external fixing at the base of the verge, secures the first unit and prevents ingress into the roof space from birds and large insects.

Features

- Fast & easy to install, mortar-free, dry fix verge system.
- Suits small format concrete interlocking plain tiles.
- Can be fitted with a batten gauge of 173mm to 190mm.
- Ambidextrous units suit both hands of the verge.
- Protects the verge from exposure to the elements.
- Unique split fixing plate helps reduce tile kick up.
- Suitable for both new build and refurbishment details.
- Can be installed on roof pitches between 22.5° and 55°.
- Drains moisture away from the wall to prevent staining.
- Manufactured from UV stabilised polypropylene.
- Available in a range of colours to suit various roof types.
- Meets BS 5534 requirements for mechanical fixing.
- System independently wind tunnel tested at the BRE.

BS 8612 Specifications

- Independently tested to conform with the requirements of BS 8612.
- Performance data for the tests conducted on this product is available upon request.

MANTHORPE BUILDING PRODUCTS LTD
MANTHORPE HOUSE
BRITTAIN DRIVE
CODNOR GATE BUSINESS PARK
RIPLEY
DERBYSHIRE DE5 3ND

TEL: 01773 303 000
FAX: 01773 303 300
EMAIL:
mbp.care@manthorpebp.co.uk
WEB:
www.manthorpebp.co.uk

DRAWN	ISSUE DRAWN
B.H. 05/09/22	B.H. 05/09/22

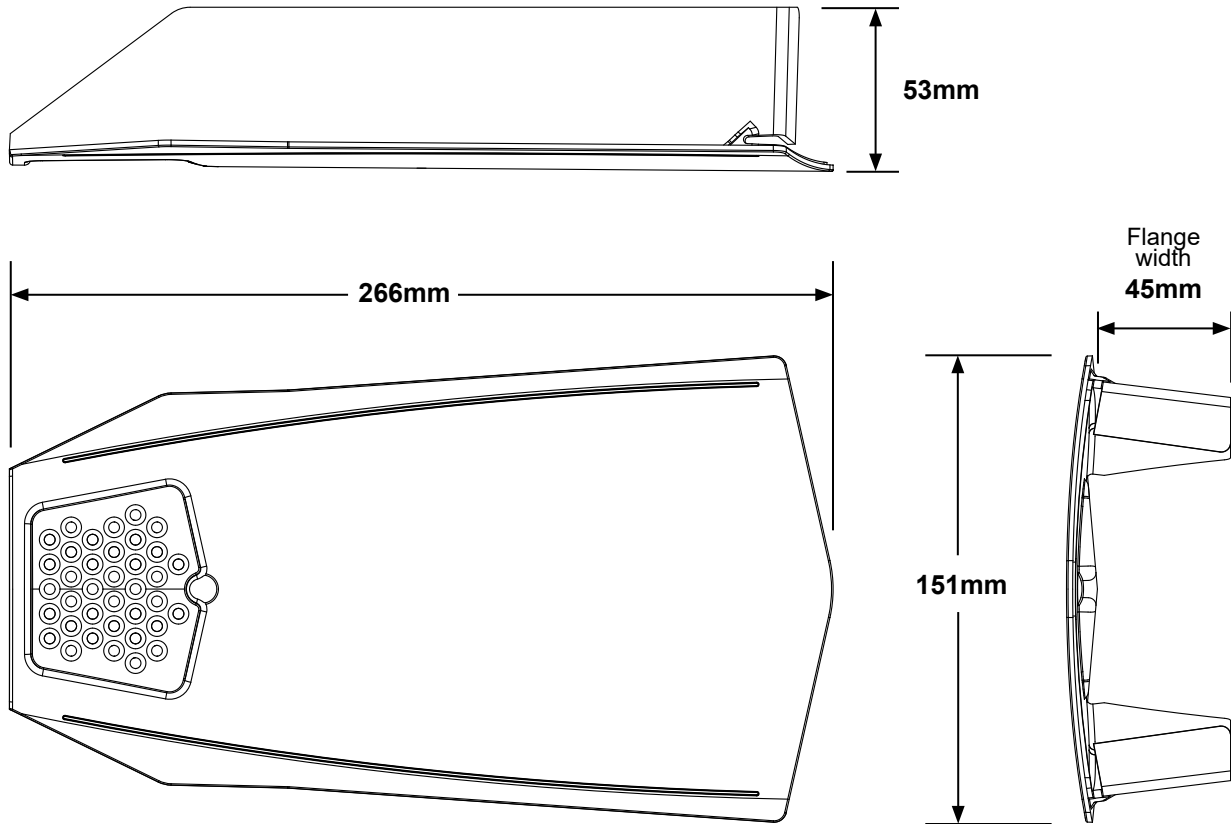
The company maintains a policy of continuous development of its product range and reserves the right to amend the specification without notice.

DRG No
MBP 8374

Issue
01
1 of 2

SmartVerge® Interlocking Plain Tile Dry Verge Units

Code: **GPPV-IPT**



Tile Size & Compatibility	Small (≈ 330 x 268mm) Marley Ashmore Redland DuoPlain Forticrete Gemini
Batten Gauge Range	173mm to 190mm
Roof Pitch Range	22.5° to 55°
Verge Overhang	50mm (minimum) Including continuous verge batten

References
BSI: BS 5534:2014 Code of Practice for Slating and Tiling BRE: Wind Tunnel Test report number P123548-1000 BSI: BS 8612:2018 NHBC: Standards - Chapter 7.2 Pitched Roofs

Packing Details	60 per box. Packed in bags of 10 verge units. 6 bags per box.
Box Weight	8.4 kg (approx.)
Part Weight	0.102 kg
Material	Polypropylene
Manufacturing Process	Injection Moulded
Colours	(TR) Terracotta (BR) Dark Brown (GR) Slate Grey (BL) Black (AR) Antique Red

MANTHORPE BUILDING PRODUCTS LTD
MANTHORPE HOUSE
BRITTAIN DRIVE
CODNOR GATE BUSINESS PARK
RIPLEY
DERBYSHIRE DE5 3ND

TEL: 01773 303 000
FAX: 01773 303 300
EMAIL:
mbp.care@manthorpebp.co.uk
WEB:
www.manthorpebp.co.uk

DRAWN	ISSUE DRAWN
B.H. 05/09/22	B.H. 05/09/22
The company maintains a policy of continuous development of its product range and reserves the right to amend the specification without notice.	

DRG No	Issue
MBP 8374	01 1 of 2