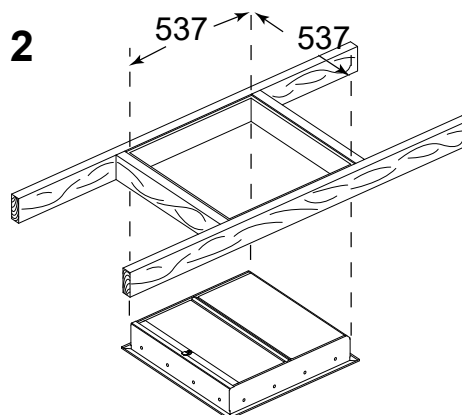
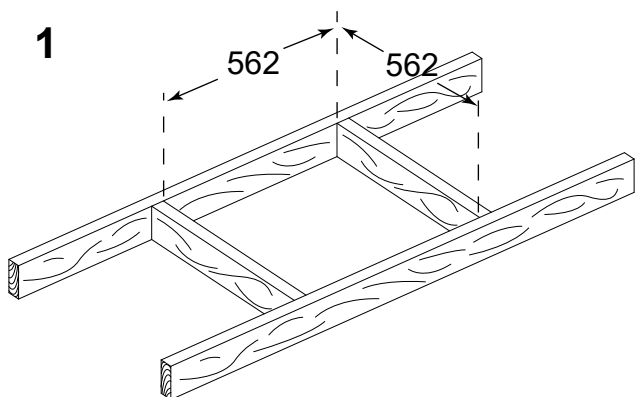


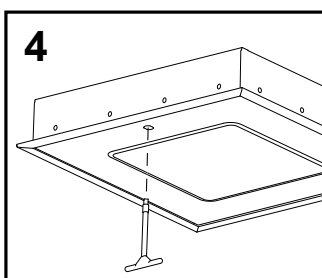
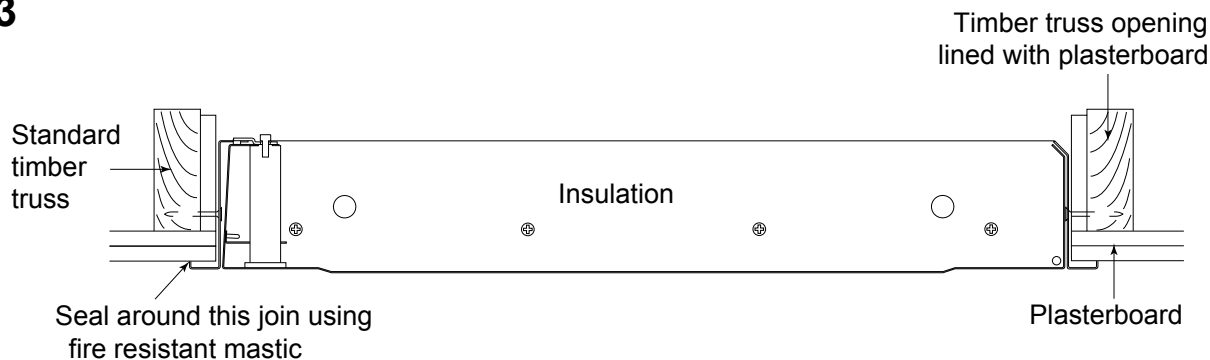
One Hour Fire Rated Drop Down Loft Access Door - Square

Code: **GL270F** Standard

GL271F Lockable



3



Fitting Instructions:

1. Trim out a suitable opening and fix noggins spanning between trusses to form a clear opening of 562mm x 562mm.
2. Fit a layer of 12.5mm plasterboard 95mm up the edge of the joist. This leaves an opening of 537mm x 537mm.
3. The ceiling should preferably be fully finished and painted before installation of the unit. Offer up the door and frame in the open position ensuring it sits squarely and flush against the ceiling. Use 50mm long woodscrews to secure the frame through the 16 no. pre punched holes. Finally seal around the join between the frame and ceiling using a fire resistant mastic.
4. Close the door and lock the catch use the 'T' key provided, or the locking key in the case of the GL271F

MANTHORPE BUILDING PRODUCTS LTD
 MANTHORPE HOUSE
 BRITAIN DRIVE
 CODNOR GATE BUSINESS PARK
 RIPLEY
 DERBYSHIRE DE5 3ND

TEL: 01773 303 000
 FAX: 01773 303 300
 EMAIL:
 mbp.care@manthorpebp.co.uk
 WEB:
 www.manthorpebp.co.uk

DRN B.H.

Date 01/06/21

DRG No

Issue

The company maintains a policy of continuous development of its product range and reserves the right to amend the specification without notice.

MBP 8202

E