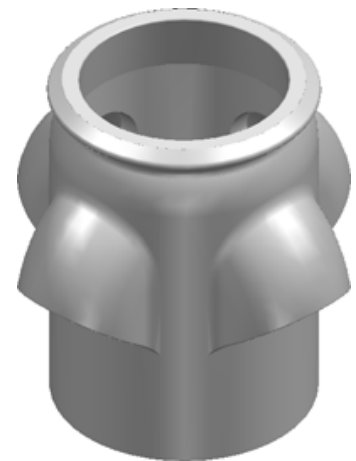


MARKINGS APPLIED AT 'X'

WTK DATE (DDMMYY)
 WTK EN13502 CE
 270/OD
 225/ID
 375/HT



ISOMETRIC VIEW
 1:10

OPEN-TOPPED FLUE TERMINAL TO
 BS EN 13502 - TYPE 0

TO SPECIFY COLOUR, ADD SUFFIX TO CODE
 R = RED, B = BUFF, X = BLACK, G = GLAZED



THIS DRAWING IS THE PROPERTY OF WT KNOWLES & SONS LTD
 AND MUST NOT BE USED IN ANY WAY PREJUDICIAL TO THEIR INTERESTS

± 10% TOLERANCE TO BE APPLIED ON ALL DIMENSIONS

WEIGHT = 18.20 Kg

DRAWN: GB 07-11-07

SCALE

PROJECTION

DO NOT SCALE

ISSUE: 3 19-05-16

1:5



TITLE :-

POCKET BEEHIVE POT

DRAWING No. :-

KYQ47

A4