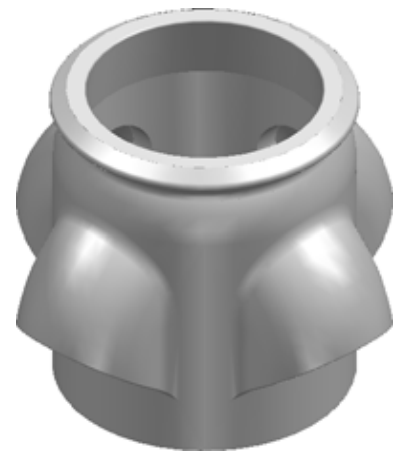


MARKINGS APPLIED AT 'X'

WTK DATE (DDMMYY)
WTK EN13502
270/OD
225/ID
300/HT



ISOMETRIC VIEW  
1:10

OPEN-TOPPED FLUE TERMINAL TO  
BS EN 13502 - TYPE 0

TO SPECIFY COLOUR, ADD SUFFIX TO CODE  
R = RED, B = BUFF, X = BLACK, G = GLAZED



THIS DRAWING IS THE PROPERTY OF WT KNOWLES & SONS LTD  
AND MUST NOT BE USED IN ANY WAY PREJUDICIAL TO THEIR INTERESTS

± 10% TOLERANCE TO BE APPLIED ON ALL DIMENSIONS

WEIGHT = 10.80 kg    DRAWN: GB    07-11-07

DO NOT SCALE    ISSUE: 4    18-10-18

SCALE

PROJECTION

1:5



TITLE :-  
POCKET BEEHIVE POT

DRAWING No. :-  
KYQ46

A4