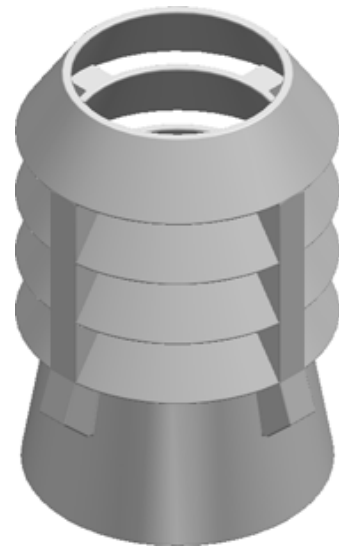


MARKINGS APPLIED AT 'X'

WTK EN13502	CE
300/OD	
260/ID	
450/HT	
WTK DATE (DDMMYY)	



ISOMETRIC VIEW  
1:10

OPEN-TOPPED FLUE TERMINAL TO  
BS EN 13502 - TYPE 0

TO SPECIFY COLOUR, ADD SUFFIX TO CODE  
R = RED, B = BUFF, X = BLACK, G = GLAZED



THIS DRAWING IS THE PROPERTY OF WT KNOWLES & SONS LTD  
AND MUST NOT BE USED IN ANY WAY PREJUDICIAL TO THEIR INTERESTS

TITLE :-  
LOUVRE POT

WEIGHT = 21.20 kg	DRAWN: GB 11-12-07
DO NOT SCALE	ISSUE: 3 30-10-18

SCALE	PROJECTION
1:5	

DRAWING No. :-	KYP24	A4
----------------	-------	----