
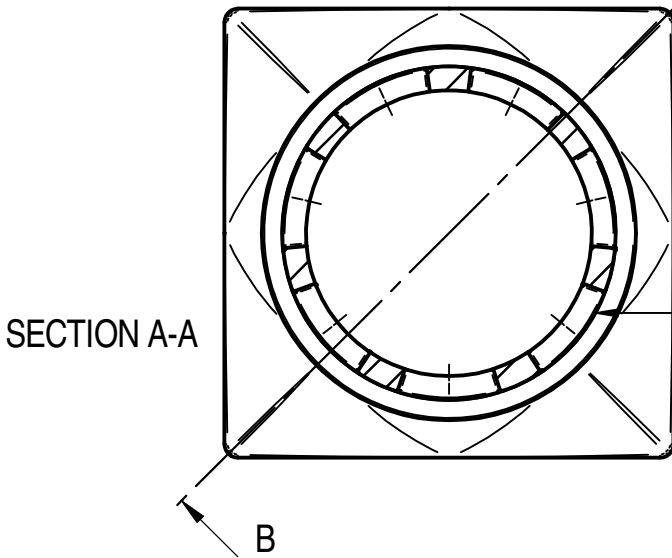
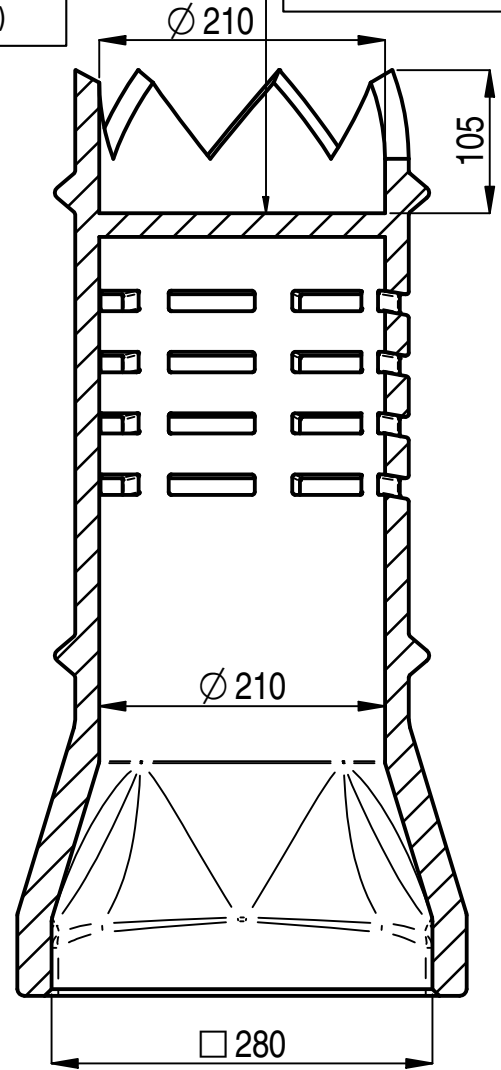
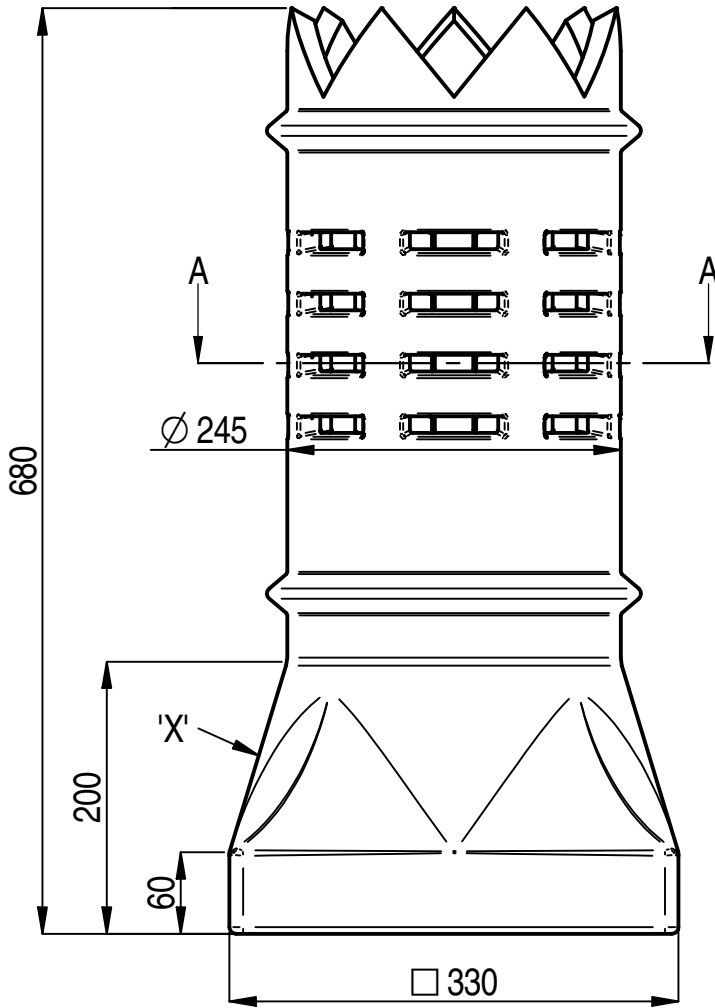


MARKINGS TO APPEAR ON FACE 'X'  
AS FOLLOWS:

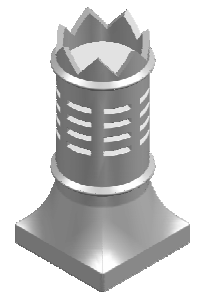
330  
280  
680/HT  
WTK DATE (DDMMYYYY)

MARKINGS TO APPEAR ON  
THIS FACE AS FOLLOWS:

WTK EN13502   
TYPE 2



4 - ROWS OF 7 SLOTS  
EQUI - SPACED AS SHOWN




ISOMETRIC VIEW  
1:20

ALL MARKINGS TO BE IN 10 HIGH  
INDENTED CHARACTERS

GAS FLUE TERMINAL TO BS EN13502-TYPE 2

TO SPECIFY COLOUR, ADD SUFFIX TO CODE  
R = RED, B = BUFF, X = BLACK, G = GLAZED



THIS DRAWING IS THE PROPERTY OF WT KNOWLES & SONS LTD AND MUST NOT BE USED IN ANY WAY PREJUDICIAL TO THEIR INTERESTS			
± 10% TOLERANCE TO BE APPLIED ON ALL DIMENSIONS			
WEIGHT = 18.30 kg	DRAWN: GB 27-11-07	SCALE	PROJECTION
DO NOT SCALE	ISSUE: 8 05-07-18	---	

TITLE :- <b>BISHOP TERMINAL</b>	
DRAWING No. :- <b>KNO300SQ</b>	<b>A4</b>