

Fixed Flat Thermal Rooflight

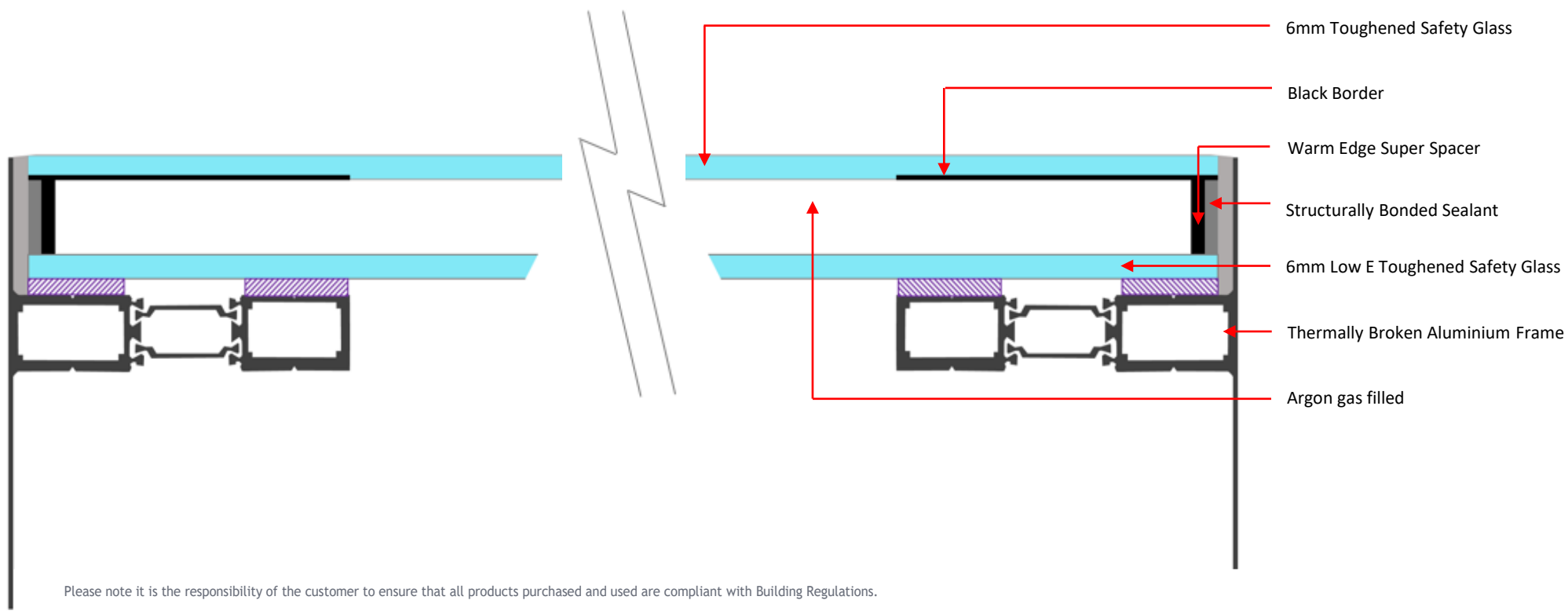
Double Glazed 1.2 U-Value

TECHNICAL

Manufactured to:

BS EN – 12150

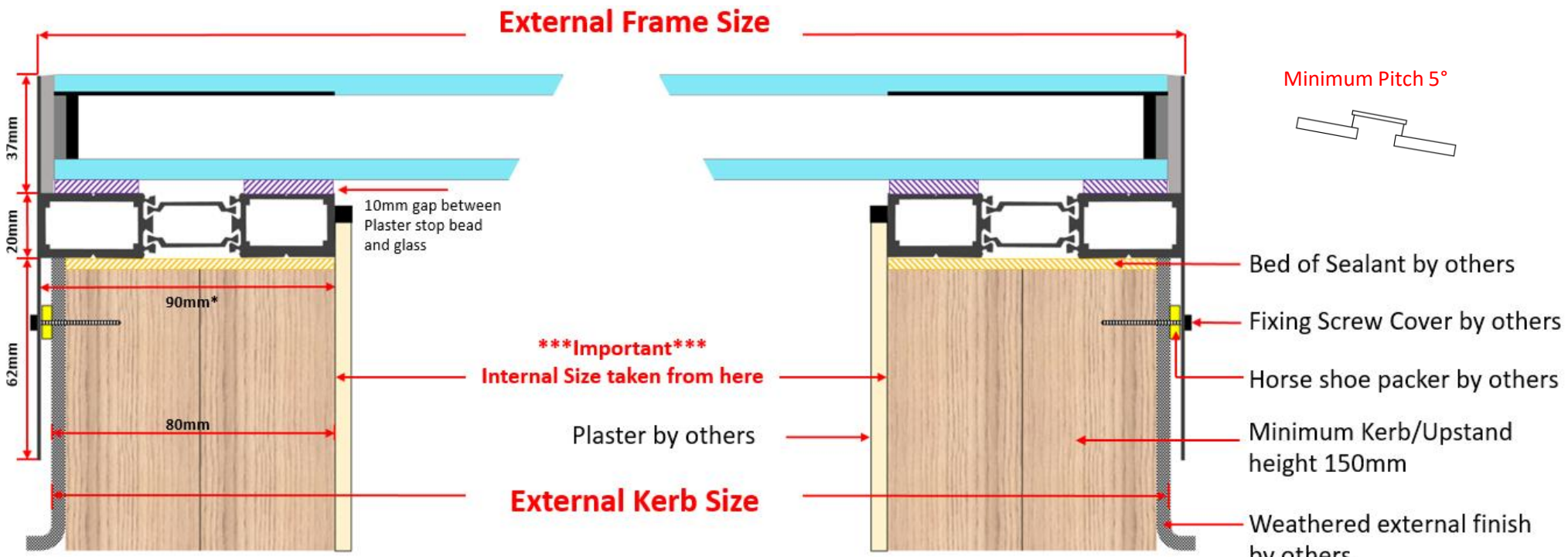
BS EN -1270



Option 1 (Fixing from Externally) Fixed Rooflight Installation Guide

Fixed Flat Thermal Rooflight Typical Installation Guide

Double Glazed



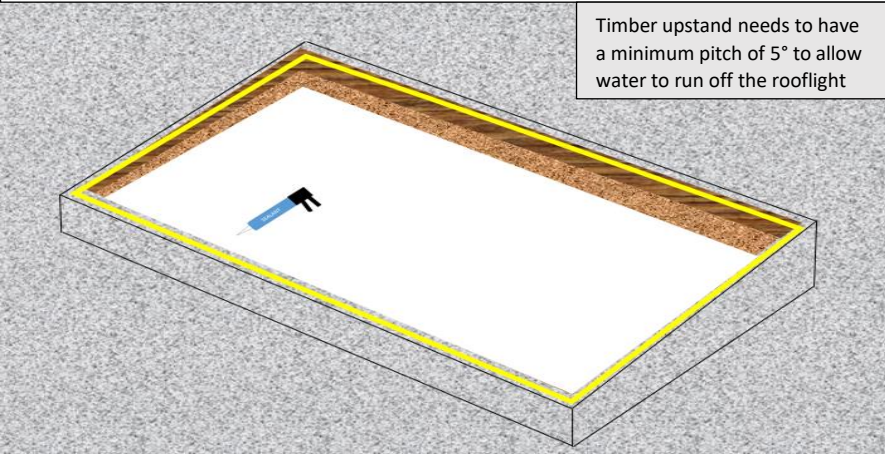
If finished kerb/upstand is wider than 90mm an extended border will be required to cover kerb/upstand (call office to discuss)

For illustrative purposes only

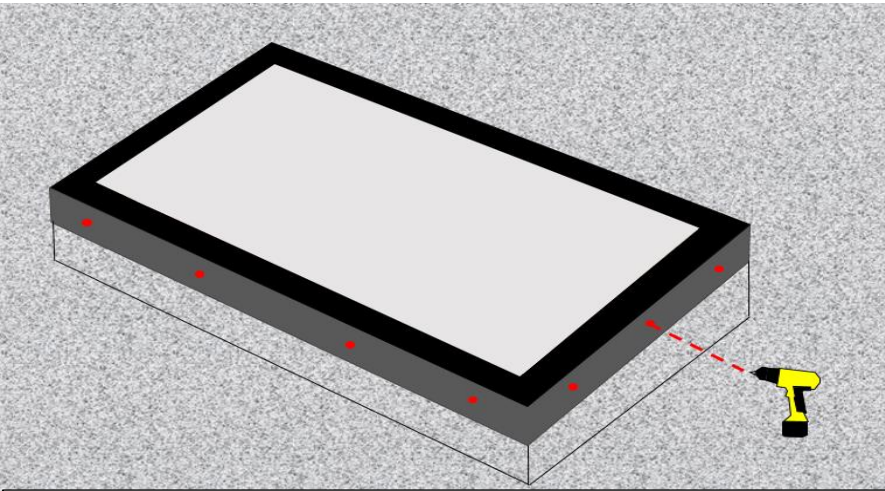
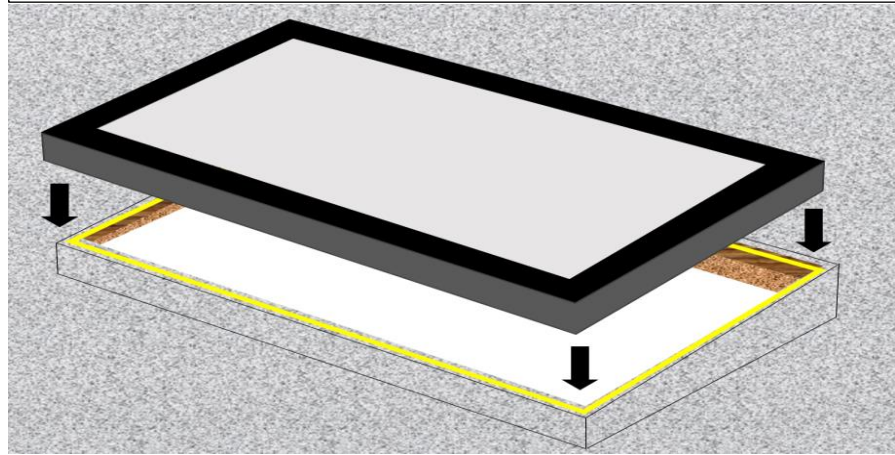
Please note it is the responsibility of the customer to ensure that all products purchased and used are compliant with Building Regulations.

Option 1 (Fixing from Externally) Fixed Rooflight Installation Guide

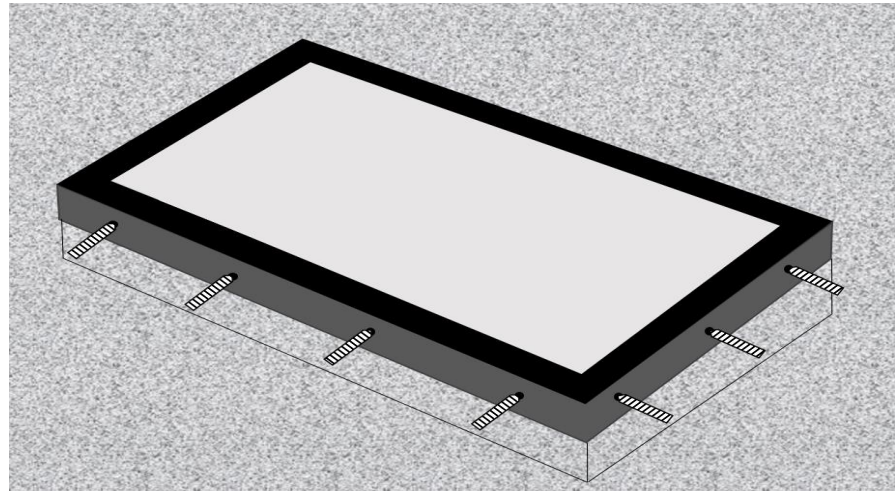
- 1) Apply a thick bead of silicone all the way around the top of the timber upstand/kerb



- 2) Position and lower the Rooflight frame over the top and side of the upstand/kerb



- 3) Pre drill fixing holes through aluminium and timber upstand/kerb at 100mm from each corner and then at regular intervals.

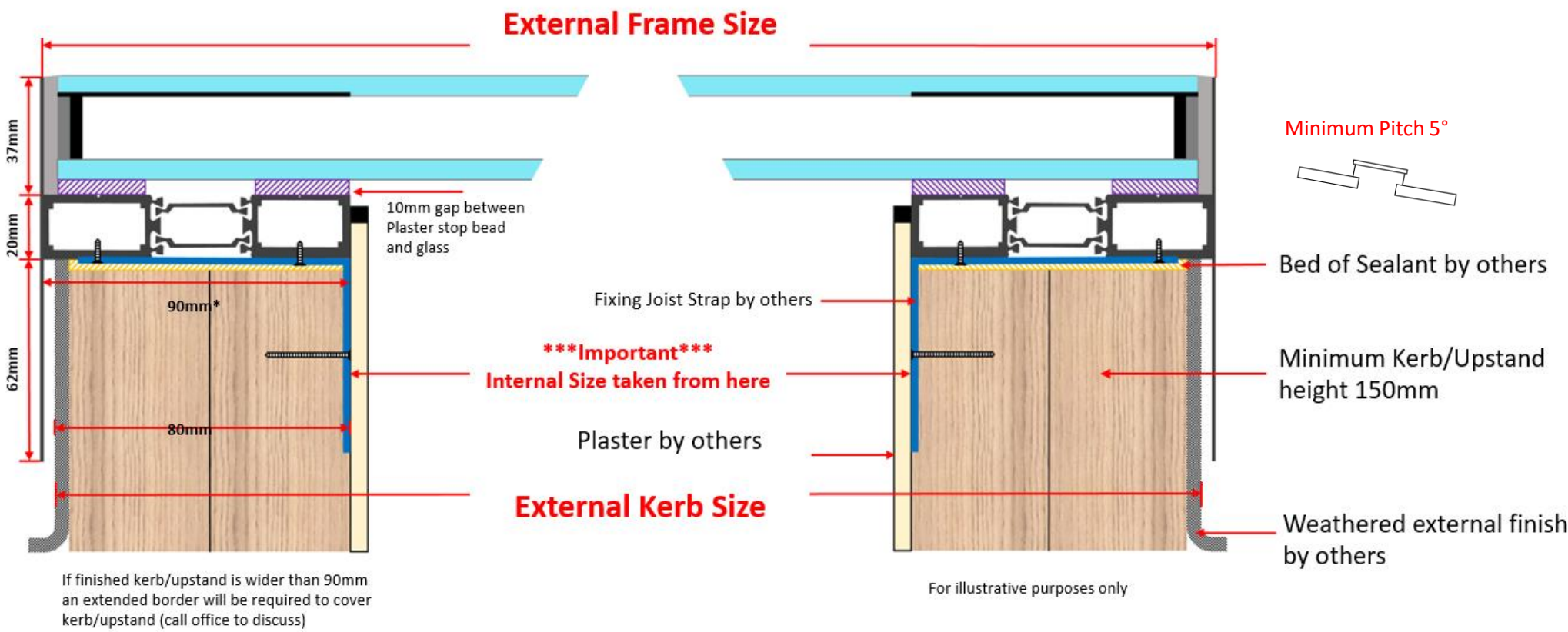


- 4) Secure fixing screws with horse shoe packers and finishing caps continuously all the way around securing the aluminium frame in place.

Option 2 (Fixing from Internally) Fixed Rooflight Installation Guide

Fixed Flat Thermal Rooflight Typical Installation Guide

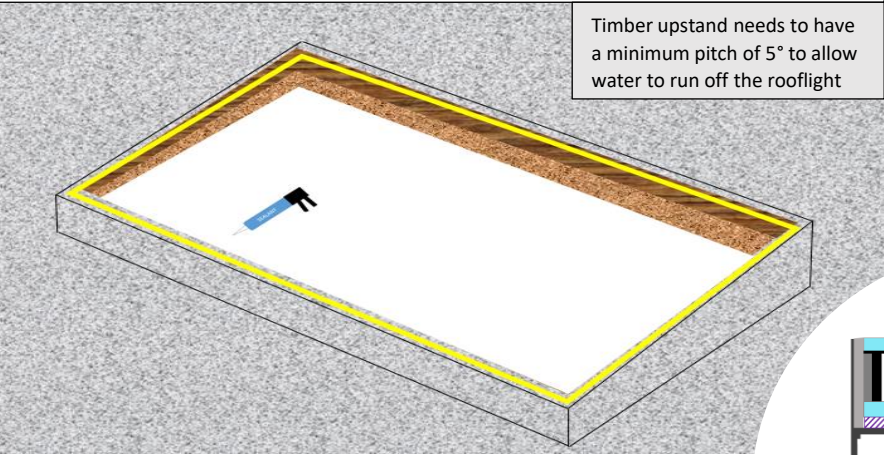
Double Glazed



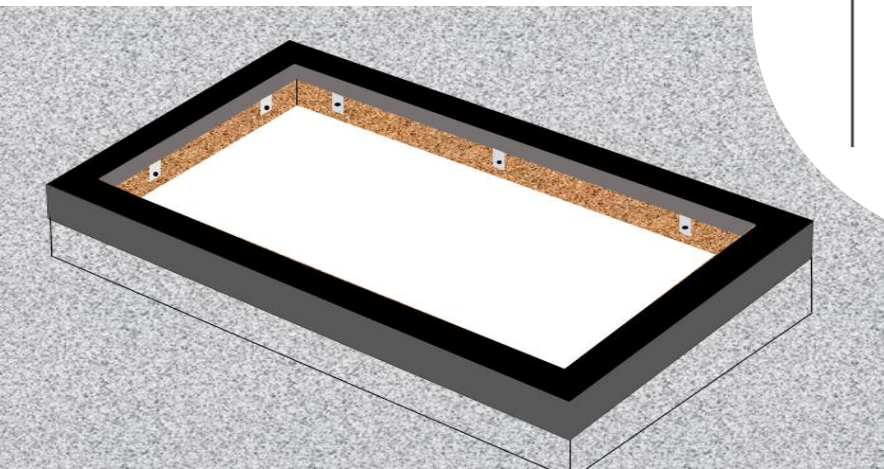
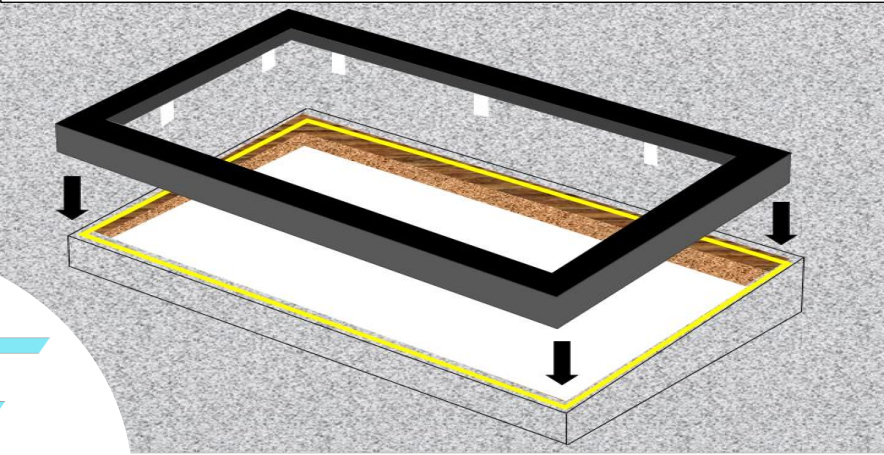
Please note it is the responsibility of the customer to ensure that all products purchased and used are compliant with Building Regulations

Option 2 (Fixing from Internally) Fixed Rooflight Installation Guide

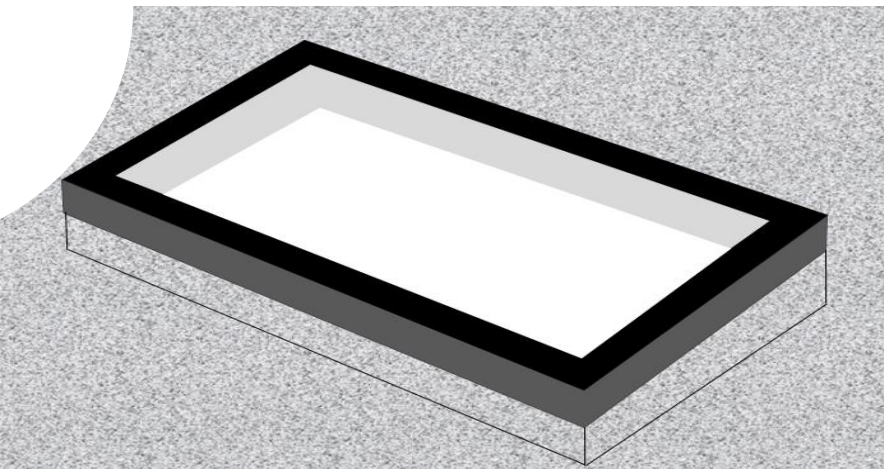
1) Apply a thick bead of silicone all the way around the top of the timber upstand



2) Position the Rooflight over the upstand ensuring that the fixing straps have been fixed to underside of frame (refer to diagram centre).



3) From the inside secure the fixing straps to inside the timber upstand.



4) Internally finish by plaster boarding over the timber and straps leaving at least a 10mm gap from the top of the plasterboard to glass.

