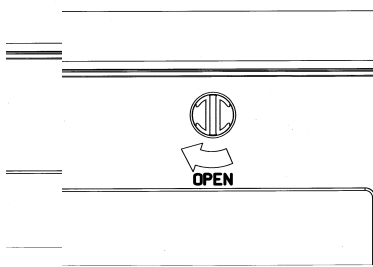


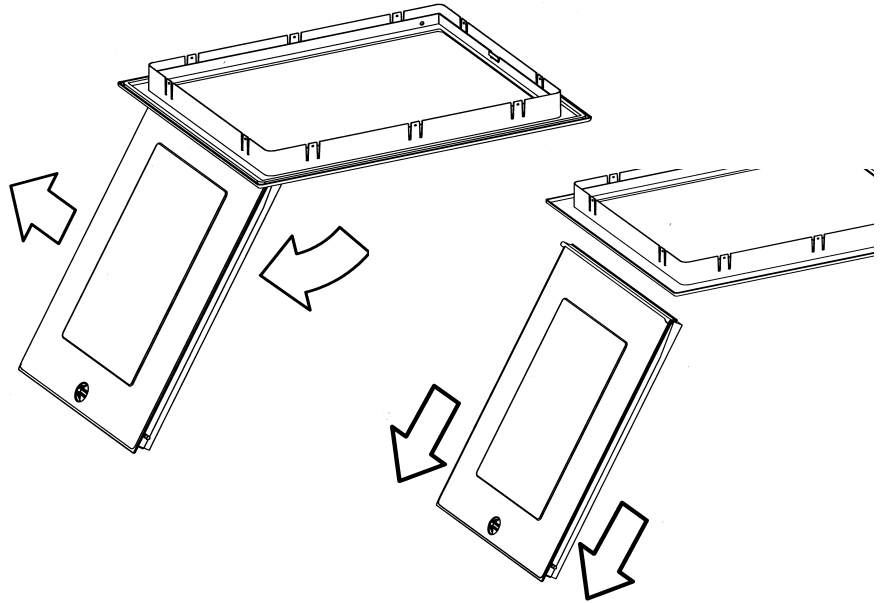
Drop Down Loft Access Door Fitting Instructions

CODE **GL250/03**

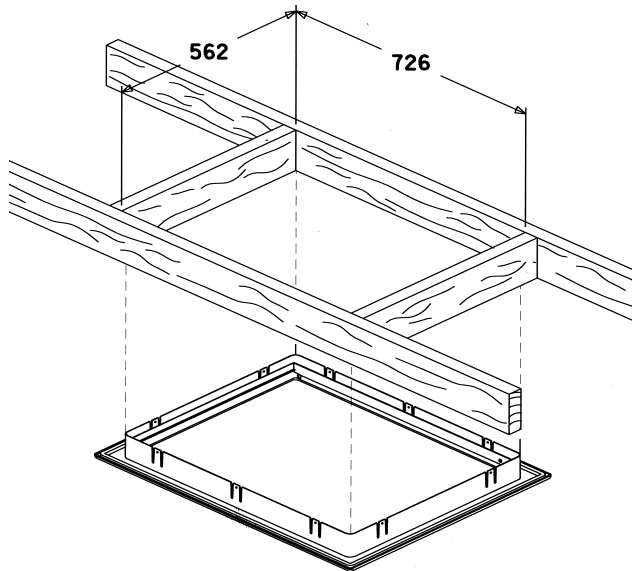
1. Firstly remove door from the frame. Turn catch clockwise.



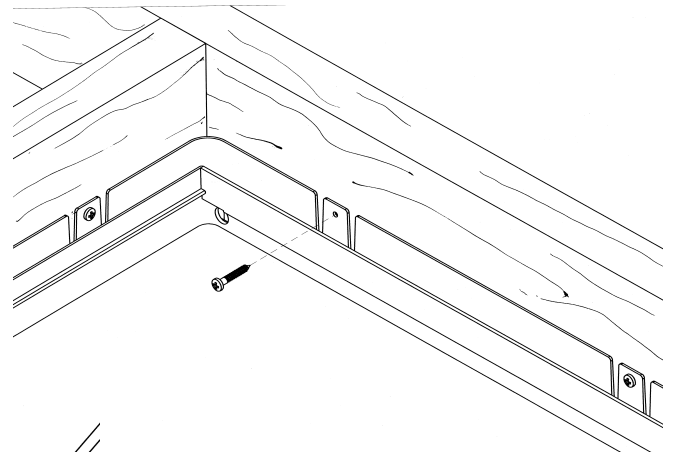
2. Swing the door open as far as it will go and then slide side ways slightly to disengage one side of the hinge then remove the door



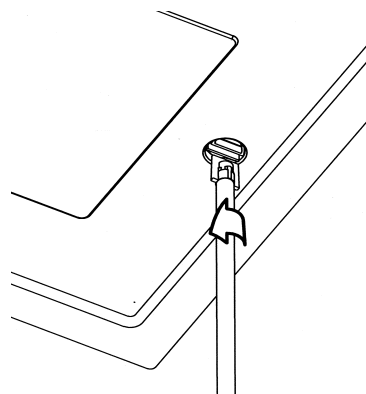
3. Trim out a suitable opening (562 x 726mm minimum). Locate frame into position pushing tightly against the ceiling to form seal.



4. Screw through the fixing points in ten places as shown. Note Suitable packing pieces may be required if the opening is over size, to prevent the distortion of the frame.



5. Finally replace the door into the frame ensuring both hinge lugs are correctly located. Secure door by turning catch anti-clockwise. This can be done using a pole with the supplied pole end.



MANTHORPE BUILDING PRODUCTS LTD
MANTHORPE HOUSE
BRITAIN DRIVE
CODNOR GATE BUSINESS PARK
RIPLEY
DERBYSHIRE DE5 3ND

TEL: 01773 303 000
FAX: 01773 303 300
EMAIL: mbp.care@manthorpebp.co.uk
WEB: www.manthorpebp.co.uk

DRN MC

Date 26.06.19

DRG No

Issue

The company maintains a policy of continuous development of its product range and reserves the right to amend the specification without notice.

MBP 8190

C