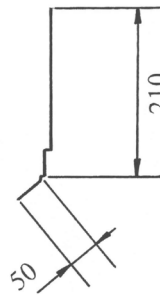
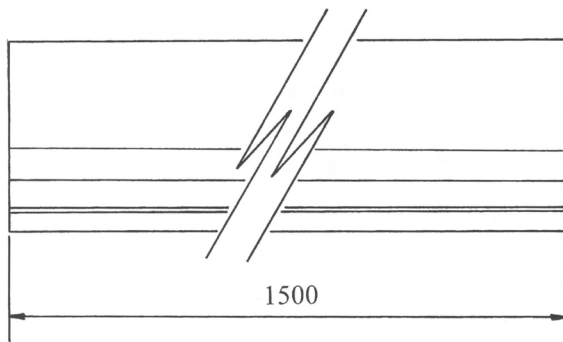
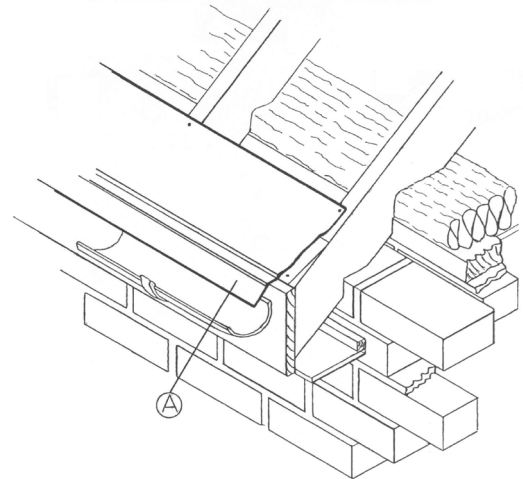
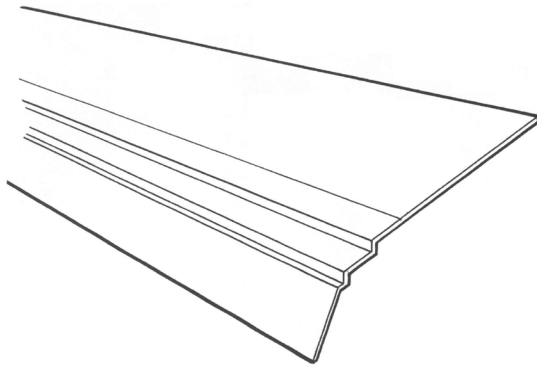


## Refurbishment Felt Support Tray

CODE **G1281**



### Description:

The G1281 Refurbishment Felt Support Tray is designed predominately for replacement of old perished felt at eaves level caused by the sagging and subsequent 'ponding' of water.

Alternatively it can be used in new build situations and suits all rafter centres.

### Fitting Instructions:

The G1281 Refurbishment Felt Support Tray (A) should be pushed under existing felt in refurbishment situations.

Alternatively in new build situations felt should be dressed over the tray. The support tray should be positioned on top of the fascia boards and secured to the roof trusses. Joints should be overlapped by minimum of 150mm.

Use in conjunction with other products from the Manthorpe range to provide a complete roof ventilation system.

|                       |                               |
|-----------------------|-------------------------------|
| COLOURS               | Black, Grey                   |
| PACKING DETAILS       | Packed in 10's in poly sleeve |
| WEIGHT                | 12.2kg per box                |
| MATERIAL              | PVC                           |
| MANUFACTURING PROCESS | Extrusion                     |

### References:

|        |                         |
|--------|-------------------------|
| BRE:   | DIGEST 14               |
| BSI:   | BS5534                  |
| NFRC:  | Technical Bulletin 6/21 |
| NHBC:  | Standards 7.2           |
| P.S.A: | Defects in Buildings    |

MANTHORPE BUILDING PRODUCTS LTD  
MANTHORPE HOUSE  
BRITAIN DRIVE  
CODNOR GATE BUSINESS PARK  
RIPLEY  
DERBYSHIRE DE5 3ND

TEL: 01773 303 000  
FAX: 01773 303 300  
EMAIL: [mbp.care@manthorpebp.co.uk](mailto:mbp.care@manthorpebp.co.uk)  
WEB: [www.manthorpebp.co.uk](http://www.manthorpebp.co.uk)

DRN M.A Date 13.11.19

The company maintains a policy of continuous development of its product range and reserves the right to amend the specification without notice.

DRG No

**MBP 8075**

Issue

**B**