

# TECHNICAL SPECIFICATIONS

confirms the functional properties and suitability for use in construction in the European Union and the following features of the product under the name

## Adjustable wedge pedestals RAPTOR (DDR)

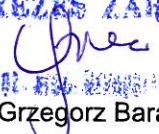
Adjustable wedge pedestals with accessories for lifting and leveling joists under floors and terraces inside and outside buildings.

to the extent and on the terms set out in this Specification

The term of validity  
31 december 2023 r.

Specification number DDR01/2020  
October 2020 r.

**DECK - DRY Polska**  
SPÓŁKA Z O.O.  
PL 80-307 Gdańsk-Oliwa, ul. Abrahama 48  
Regon 191118644, NIP 584-11-83-361  
tel. (0 58) 511 04 31/2

Company President  
**PREZES ZARZĄDU**  
  
arch. Grzegorz Baranowski

*An attachment to this specification is the Assembly and Use Manual of RAPTOR adjustable wedge pedestals.  
Specyfikacja Techniczna zawiera 33 strony, 8 wykresów, 12 rysunków. Tekst tego dokumentu należy stosować tylko w całości.  
Publikowanie lub rozpowszechnianie w innej formie oraz tylko fragmentów dokumentu wymaga pisemnej zgody Producenta.*

## Table of Contents

<b>01.00 CHARACTER OF THE SPECIFICATION</b>	<b>3</b>
<b>02.00 SUBJECT OF SPECIFICATION</b>	<b>4</b>
<b>03.00 PURPOSE, SCOPE AND CONDITIONS OF USING RAPTOR ADJUSTABLE PEDESTALS</b>	<b>8</b>
<b>04.00 TECHNICAL AND OPERATING PROPERTIES. REQUIREMENTS</b>	<b>8</b>
04.01 Type of material	8
04.02 Softening temperature according to Vicat	8
04.03 Thermal stability (shrinkage)	9
04.04 Shape and dimensions	9
04.05 Workmanship and finishing	9
04.06 Pressure resistance under static load	10
04.07 Impact resistance, pressure under dynamic loading	11
04.08 Classification of reaction to fire	11
<b>05.00 PACKING, STORAGE, TRANSPORT</b>	<b>11</b>
<b>06.00 MONTAGE</b>	<b>11</b>
<b>07.00 THE DECLARATION OF PERFORMANCE</b>	<b>12</b>
07.01 General rules	12
07.02 Initial type testing	12
07.03 Factory production control	12
07.04 Finished product testing	12
07.05 Research frequency	13
07.06 Checking softening temperature according to Vicat	13
07.07 Checking thermal stability	13
07.08 Checking shape and dimensions	13
07.09 Checking workmanship and finishing	13
07.10 Checking resistance to pressure under static load	13
07.11 Impact resistance check	13
07.12 Taking samples for testing	13
07.13 Rating of test results	13
<b>08.00 FORMAL AND LEGAL ARRANGEMENTS</b>	<b>14</b>
08.01 Usefulness and marking of RAPTOR adjustable pedestals in construction	14
08.02 License violation	14
08.03 Manufacturer's responsibility	14
08.04 The content of prospectuses and advertisements issued	14
<b>09.00 THE TERM OF VALIDITY</b>	<b>14</b>

**DECK - DRY Polska**

SPÓŁKA Z O.O.

PL 80-307 Gdańsk-Oliwa, ul. Abranama 4B

Regon 191118644, NIP 584-11-33-361

tel. (0 58) 511 04 31/2

<b>10.00 ADDITIONAL INFORMATION</b>	<b>15</b>
11.00 DIAGRAMS AND DRAWINGS	16
11.01 Load diagrams	16
Tab. 11.01.1 - Load diagram ADJUSTABLE WEDGE PEDESTALS RAPTOR S 15-35 mm	16
Tab. 11.01.2 - Load diagram ADJUSTABLE WEDGE PEDESTALS RAPTOR M 35-65 mm	17
Tab. 11.01.3 - Load diagram ADJUSTABLE WEDGE PEDESTALS RAPTOR L 65-95 mm	18
Tab. 11.01.4 - Load diagram ADJUSTABLE WEDGE PEDESTALS RAPTOR XL 95-125 mm	19
Tab. 11.01.5 - Load diagram ADJUSTABLE WEDGE PEDESTALS RAPTOR XL1 125-155 mm	20
Tab. 11.01.6 - Load diagram ADJUSTABLE WEDGE PEDESTALS RAPTOR XL2 155-185 mm	21
Tab. 11.01.7 - Load diagram ADJUSTABLE WEDGE PEDESTALS RAPTOR XL3 185-215 mm	22
Tab. 11.01.8 - Load diagram ADJUSTABLE WEDGE PEDESTALS RAPTOR XL4 215-245 mm	23
11.02 Drawings	24
Rys. 11.02.1 - ADJUSTABLE WEDGE PEDESTALS RAPTOR S 15-35 mm	24
Rys. 11.02.2 - ADJUSTABLE WEDGE PEDESTALS RAPTOR M 35-65 mm	25
Rys. 11.02.3 - ADJUSTABLE WEDGE PEDESTALS RAPTOR L 65-95 mm	26
Rys. 11.02.4 - ADJUSTABLE WEDGE PEDESTALS RAPTOR XL 95-125 mm	27
Rys. 11.02.5 - ADJUSTABLE WEDGE PEDESTALS RAPTOR XL1 125-155 mm	28
Rys. 11.02.6 - ADJUSTABLE WEDGE PEDESTALS RAPTOR XL2 155-185 mm	29
Rys. 11.02.7 - ADJUSTABLE WEDGE PEDESTALS RAPTOR XL3 185-215 mm	30
Rys. 11.02.8 - ADJUSTABLE WEDGE PEDESTALS RAPTOR XL4 215-245 mm	31
Rys. 11.02.9 - RAISER 30 mm	32
Rys. 11.02.10 - PROTECTION PAD 2 mm (PO)	32
Rys. 11.02.11 - ACOUSTIC PAD 10 mm (PA)	33
Rys. 11.02.12 - SLOPE CORRECTOR 7%	33

**DECK - DRY Polska**

SPÓŁKA Z O.O.

PL 80-307 Gdańsk-Oliwa, ul. Abrahama 48  
Kontakt 191118644, NIP 584-11-33-361  
tel. (0 58) 511 04 31/2

DECK-DRY Polska Sp. z o. o., 80-307 Gdańsk ul. Wenus 73A

phone.(+48) 58 511 04 31, (+48) 504 261 264, fax.(+48) 58 511 04 32 www.ddgro.eu

KRS 0000241286, District Court Gdańsk-Północ in Gdańsk, VII Commercial Division of the country. Court Register, NIP 584-11-83-361



## 01.00 CHARACTER OF THE SPECIFICATION

The Technical Specification is a document prepared for products not subject to the requirements of Art. 9, point 1 of the Act of 16 April 2004 on Construction Products (Journal of Laws No. 92/2004, item 881), which allows for the assessment and issuing of a Declaration of Performance for RAPTOR adjustable wedge pedestals (confirming the compliance of the products with this document) in order to present them to the purchaser of the products and its users. The final construction product which is a floor in the form of a ventilated terrace or a floor consisting, among others, from RAPTOR Terrace Adjustable Pedestals, in accordance with the regulations, requires obtaining a National Technical Assessment based on the applied technological solution. The terrace pedestals themselves do not constitute a built-in building element.

## 02.00 SUBJECT OF SPECIFICATION

The subject of the Technical Specification are RAPTOR Adjustable Wedge Pedestals (hereinafter referred to as - DDR, Adjustable pedestals, Terrace Adjustable Pedestals, Adjustable Wedge Pedestals, Terrace Support) manufactured by DECK-DRY Polska Sp. z o.o., production factory address and correspondence address - DECK-DRY Polska Sp. z o.o., 80-299 Gdańsk - Osowa ul. Wenus 73A, e-mail communication address sales@ddpedestals.eu, Manufacturer's registration address - DECK-DRY Polska Sp. z o.o., ul. Abrahama 48, 80-307 Gdańsk NIP PL5841183361, REGON: 191118644, KRS: 0000241286




The Technical Specification includes a system of RAPTOR adjustable wedge pedestals and accessories for the installation of raised terraces and floors on joists, consisting of:

No.	SYMBOL HEIGHT	IMAGE	NAME OF PRODUCT
I	<b>ADJUSTABLE WEDGE PEDESTALS RAPTOR SERIES</b>		
<p>The step-adjustable pedestals in the height range from 15-445 mm of the RAPTOR series consist of:</p> <ul style="list-style-type: none"> <li>• S base (PS) which forms the basis for creating the S adjustable wedge pedestals (DDR-S). The base has an openwork structure based on a truss with a wedge cross-section, equipped with an oval sleeve used to connect the bases with other system elements that are mounted on the bottom of the base. The base S has a serrated surface which serves to accommodate the wedge S with opposing serration. Combining the base with the wedge creates an adjustable pedestal with a variable (adjustable) height, the adjustment is made by moving the wedge on the base, which raises the supporting surface of the wedge. The angle of inclination of the surface intended for moving the base wedge S is adjusted only to the wedge S and different from the other wedges belonging to the RAPTOR system.</li> <li>• Wedge S (KS), which is used to create adjustable pedestals with an adjustment range of 15 to 35 mm only in combination with the S base (PS). To obtain the lowest adjustment range from 15 to 25 mm, it is necessary to break / cut the wedge into 2 parts. The S wedge has 2 special adjustable pedestals for mounting the joist. The handles are located on the higher edge of the wedge and in the middle of the wedge. The central handle is accessible after breaking the wedge into 2 parts. Both handles need to be bent to the vertical before assembly. Wedge S also has 4 drainage holes and another 4 holes giving the option of screwing the wedge from the bottom of the joist.</li> <li>• L base which is the basis for the creation of M, L, XL, XL1, XL2, XL3 and XL4 adjustable wedge pedestals (DDR-S, -M, -L, -XL, -XL1, -XL2, -XL3, -XL4). The base has an openwork structure based on a truss with a wedge cross-section with flared sides increasing the base surface, equipped with an oval sleeve used to connect the bases with other system elements that are mounted on the bottom of the base. Side extensions have holes for optional mounting to the floor. The L base has a serrated surface which is used</li> </ul>			







to accommodate the M, L and XL wedges with opposing serration. Combining the base with the wedge creates a support with a variable (adjustable) height, the adjustment is made by moving the wedge on the base, which raises the supporting surface of the wedge. The angle of inclination of the surface intended for moving the L base wedge is matched to the M, L, XL wedges and is different from the S wedge also belonging to the RAPTOR system.

- Raiser 30 mm (P30) used to optionally increase the Raptor S, M, L and XL supports by 30 mm. The 30 mm bases together with the Raptor XL adjustable wedge pedestal form the XL1 adjustable pedestal, adding additional sockets creates the XL2, XL3 and XL4 adjustable pedestals respectively. It is unacceptable to use more than 4 30 mm raiser bases for one adjustable pedestal.
- Slope corrector (KN), which is an optional element designed to level the slope of the surface.
- Protection pad (PO), of the complementary element which is used to close the adjustable pedestal from below, so as to distribute the pressure of the walls of the openwork structure over a larger surface. An obligatory element when installing the Raptor system on surfaces sensitive to damage, such as roofing felt, XPS, waterproofing.
- An acoustic pad, an element complementing the system with an additional value of reducing the transmission of vibrations between floors and increasing the comfort of using the surface.

No.	SYMBOL HEIGHT	IMAGE	NAME OF PRODUCT
1	15-35		ADJUSTABLE WEDGE PEDESTAL RAPTOR S 15-35 MM (DDR-S) Sketch. 11.02.1
2	35-65		ADJUSTABLE WEDGE PEDESTAL RAPTOR M 35-65 MM (DDR-M) Sketch. 11.02.2
3	65-95		ADJUSTABLE WEDGE PEDESTAL RAPTOR L 65-95 MM (DDR-L) Sketch. 11.02.3






**DECK - DRY Polska**

SPÓŁKA Z O.O.  
PL 80-307 Gdańsk-Oliwa, ul. Abrahama 45  
Regon 191118644, NIP 584-11-33-361  
tel (0 58) 511 04 31/2

19	95-125		<p>ADJUSTABLE WEDGE PEDESTAL RAPTOR XL 95-125 MM (DDR-XL) Sketch. 11.02.4</p>
	125-155		<p>ADJUSTABLE WEDGE PEDESTAL RAPTOR XL1 125-155 MM (DDR-XL1) Sketch. 11.02.5</p>
	155-185		<p>ADJUSTABLE WEDGE PEDESTAL RAPTOR XL2 155-185 MM (DDR-XL2) Sketch. 11.02.6)</p>
	185-215		<p>ADJUSTABLE WEDGE PEDESTAL RAPTOR XL3 185-215 MM (DDR XL3) Sketch. 11.02.7)</p>

**DECK - DRY Polska**  
SPÓŁKA Z O.O.  
PL 80-307 Gdańsk-Oliwa, ul. Abrahama 48  
Regon 191118644, NIP 584-11-83-361  
tel. (0 58) 511 04 31/2



	215-245		ADJUSTABLE WEDGE PEDESTAL RAPTOR XL4 215-245 MM (DDR-XL4) Sketch. 11.02.8)
<b>III DODATKI SYSTEMOWE</b>			
30	P30		RAISER 30 MM for mounting BASE S or L to extend the adjustable pedestal by 30 mm. Maximum 4 pcs per adjustable wedge pedestal (DDR-P30). Sketch. 11.02.9
2	PO		PROTECTION PAD attached to the bottom of S and L BASES to distribute the pressure of the support walls on sensitive surfaces (DDR-PO). Sketch. 11.02.10
10	PA		ACOUSTIC PAD attaches to the underside of the adjustable pedestal to reduce the transmission of vibrations from the floor surface (DDR-PA). Sketch. 11.02.11
	KN		SLOPE CORRECTOR 7% composed of two discs, it is used to level the slope of the surface up to 7% (DDR-KN) Sketch. 11.12

**DECK - DRY Polska**  
SPÓŁKA Z O.O.  
PL 80-307 Gdańsk-Oliwa, ul. Abrahama 43  
KRS 0000241286, NIP 584-11-33-361  
tel (0 58) 511 04 31/2

## **03.00 PURPOSE, SCOPE AND CONDITIONS OF USING RAPTOR ADJUSTABLE PEDESTALS**

Adjustable wedge pedestals RAPTOR are intended for supporting / assembling / leveling raised floors and terraces on wooden, aluminum, composite joists, etc., for use outside of buildings, on terraces, loggias, balconies, squares, also partially or fully roofed, etc. ; for use in single-family and multi-family buildings, collective housing, sports and public utility buildings (not applicable to mass events with crowds and evacuation routes), and industrial buildings; the possibility of deformation, cracks, color change and static electricity, as well as making sounds during use, also when using an acoustic pad; RAPTOR Terrace Adjustable Pedestals are adapted for use in places exposed to direct impact of external weather conditions, in the air temperature range from -30C to + 55C.

RAPTOR should be used on stable and even surfaces, e.g. :

- on concrete tiles (screeds) not insulated with anti-water / anti-damp insulation or insulated with waterproof / anti-damp insulation, on substrates that are hydroisolation, e.g. heat-sealable tar paper or insulating foil (on these substrates it is necessary to use PROTECTIVE PADS ( PO) or ACOUSTIC PADS (PA) in order to protect the insulation against possible damage.
- on stone or wooden tiles,
- on concrete tiles / bricks,
- on extruded polystyrene XPS (styrodur) only with the use of PROTECTIVE PADS, recommended min. hardness is XPS 300,
- on various types of floors,
- on substrates that allow drainage of rainwater or water spilled onto the terrace,
- on surfaces with slopes, the adjustable wedge pedestals RAPTOR should be placed on the system SLOPE CORRECTOR (KN). The maximum slope of the pavement must not exceed 7%.

An attachment to this specification is the RAPTOR Installation and Use Manual.

## **04.00 TECHNICAL AND OPERATING PROPERTIES. REQUIREMENTS**

### **04.01 Type of material**

For the production of RAPTOR adjustable wedge pedestals, polypropylene is used for injection molding with additives (ethylene-propylene copolymer) containing stabilizers and antioxidants, characterized by the Vicat 95 VST softening temperature and average thermal shrinkage of  $\leq 0.13\%$ , according to PN-EN ISO 183-1: 2000.

### **04.02 Softening temperature according to Vicat**

The Softening temperature according to Vicat of polypropylene, determined in accordance with PN-EN ISO 306: 2006, should not be lower than 95 VST.

### **04.03 Thermal stability (shrinkage)**

Change in dimensions of RAPTOR adjustable wedge pedestals subjected to annealing at 80 ° C for up to 60

**DECK - DRY Polska**

SPÓŁKA Z O.O.

PL 80-307 Gdańsk-Oliwa, ul. Abrahama 48  
Regon 191118644, NIP 584-11-83-361  
tel. (0 58) 511 04 31/2



minutes should not be greater than 0.9%.

#### **04.04 Shape and dimensions**

The shape and dimensions of RAPTOR adjustable wedge pedestals are specified in the sketch and in table no. 1. Dimensional deviations do not exceed the non-tolerated dimensions specified in class C according to PN-EN 22768-1: 1999.

#### **04.05 Workmanship and finishing**

The surfaces of the supplied RAPTOR adjustable wedge pedestals are suitably smooth, substantially even, without large blisters and embedded significant foreign bodies, i.e. defects that would prevent the use of RAPTOR. The mass connection lines are allowed, however, they do not reduce the operational strength. RAPTOR adjustable wedge pedestals have an appropriately uniform color, consistent with the Manufacturer's pattern.

**DECK - DRY Polska**  
SPÓŁKA Z O.O.  
ul. 80-307 Gdańsk-Oliwa, ul. Abrahama 43  
KRS 0000241286, NIP 584-11-83-361  
tel. (+48) 58) 511 04 31/2

## 04.06 Pressure resistance under static load

RAPTOR are resistant to pressure with a load applied to the surface of the wedge set in a position that creates the maximum height of the support in a given adjustment range specified in tab. no 2.

Table No. 2

No.	Type of adjustable pedestal <sup>01</sup>	Adjustable pedestals height taken for measurements (mm)	max central load according to ZLO kN <sup>02</sup>	max allowable design load kN <sup>03</sup>
a	b	c	d	e
<b>ADJUSTABLE WEDGE PEDESTALS RAPTOR</b>				
1	RAPTOR S 15-35 MM	35	12,661	6,33
2	RAPTOR M 35-65 MM	65	13,566	6,78
3	RAPTOR L65-95 MM	95	13,59	6,8
4	RAPTOR XL 95-125 MM	125	13,27	6,63
5	RAPTOR XL1 125-155 MM	155	11,39	5,70
6	RAPTOR XL2 155-185 MM	185	11,33	5,67
7	RAPTOR XL3 158-215 MM	215	9,89	4,95
8	RAPTOR XL4 215-245 MM	245	10,27	5,13

<sup>01</sup> – possibility of making RAPTOR UNIEPAL adjustable pedestals with V1 or V0 flammability class (→ pkt 4.8.),

<sup>02</sup> – maximum central load according to the Factory Loading Laboratory (ZLO), determines the resistance of RAPTOR DDR adjustable pedestals to central destructive vertical loads according to PN-EN 12825: 2002 + Ap1: 2005, i.e. it determines the maximum central destructive force for the adjustable pedestals in the highest position at the 6 cm wide joist.

<sup>03</sup> – maximum allowable design load taking into account min. safety factor  $k = 2.0$  depending on technological conditions, working conditions, type of load, permissible errors, etc.



## 04.07 Impact resistance, pressure under dynamic loading

The adjustable wedge pedestals are not destroyed or damaged as a result of an impact falling from a height of 1 m with a weight of 1 kg. In the event of the possibility of occurrence of unforeseen dynamic loads, such as a military march, public gatherings, device and vehicle ramps causing dynamic or non-axial loads on the Terrace Supports, the permissible load should be recalculated in order to determine the permissible values for a given project / investment project; if the permissible load for vehicle traffic is not recalculated (with the specification of the permissible types and maximum vehicle weight), it is not allowed to move wheeled or motorized vehicles on surfaces supported by RAPTOR Terrace Adjustable Pedestals. If there is a risk of running into the floor supported by the Adjustable Wedge Pedestals through a motor vehicle, the floor should be fenced in a way that prevents it. The permissible crowd load cannot exceed, in total, together with the floor weight, the maximum design load indicated in Table No. 2. It is not allowed to jump from height onto the floor supported on the Adjustable Supports due to the possible occurrence of "point" / local momentary non-axial dynamic loads exceeding the allowable, which may result in damage to the Terrace Supports or disturb the floor structure.

## 04.08 Classification of reaction to fire

RAPTOR adjustable wedge pedestals have the classification in the field of reaction to fire "E (Classification in the field of reaction to fire according to PN-EN 13501-1: 2019-02 made by ITB 02327/19 / Z00NZP. It is possible to make, on special request, RAPTOR NRO adjustable wedge pedestals have the B-s3, d0 reaction to fire classification according to PN-EN 13501-1: 2019-02 made by ITB 02327/19 / Z00NZP applicable to final applications in accordance with the technical conditions to be met by buildings and their location and as for the product "Non-flammable, self-extinguishing, non-drip and not falling off under the influence of fire and not spreading fire"

## 05.00 PACKING, STORAGE, TRANSPORT

The products are delivered in unit or collective packaging protecting the RAPTOR adjustable wedge pedestals against mechanical damage. Finished products are stored and transported in accordance with the Manufacturer's Manual, in a manner ensuring that their technical properties remain unchanged. Each package is accompanied by a label containing at least the following data: name and address of the manufacturer, name, product designation and marking, basic product data.

## 06.00 ASSEMBLY

Adjustable wedge pedestals RAPTOR DDR must be installed by qualified and experienced assembly teams and should be used with proper construction practice. In particular, it is necessary to take into account each occurrence of cases characteristic for a given implementation and adjust the proper use of the Adjustable Pedestals so that the use of the floor does not endanger the life or health of users, including:

- a). The method of installing the floor should be anticipated and made in such a way that the assembly process does not cause damage to the RAPTOR (including invisible damage that may appear after a longer period of use).
- b.) Proper adhesion of the base surface of the Adjustable Wedge Pedestals to the ground, ie the Adjustable Pedestals must be set on an even and stable surface without causing non-axial stresses to the material.
- c.) Proper adherence of the WEDGE surface to the joist surface, ie the Adjustable Pedestals wedge must adhere with its entire surface to the leveled joist; all Adjustable pedestals must evenly support the weight of the floor or terrace.

- d.) Maintaining the appropriate distances between the Terrace Supports under the floor or terrace, i.e. adjustable pedestals should be placed under the joists at distances not only ensuring the appropriate distribution of the permissible pavement load, but also the distance between the adjustable pedestals must ensure the stability of the pavement and the appropriate even load on the Terrace Supports.
- e.) The maximum height of the Adjustable Wedge Pedestals should be adapted to the design intent, as the manufacturer's maximum height ranges are not achievable in all cases.
- f.) Installation of adjustable pedestals may be performed by the manufacturer or entities authorized by him.

## 07.00 THE DECLARATION OF PERFORMANCE

### 07.01 General rules

The Technical Specification is a document prepared for products not subject to the requirements of Art. 9., point 1. of the Act of 16 April 2004 on construction products (Journal of Laws No. 92/2004, item 881). It is a description of the product features in order to present the products to their recipients and allow them to assess compliance with the standards and to issue a Declaration of Performance.

The technical and operational properties of the products are confirmed by the manufacturer of the product. The basis for conformity assessment are:

- a) initial type testing,
- b) factory production control.

### 07.02 Initial type testing

Initial type testing is a test that confirms the required technical and operational properties, performed before the product is placed on the market.

Initial type testing includes:

- a.) softening temperature of polypropylene according to Vicat,
- b.) thermal stability of polypropylene,
- c.) shape and dimensions of the Adjustable Pedestals,
- d.) resistance to pressure under static load,
- e.) impact resistance.

### 07.03 Factory production control

Factory production control includes :

- a.) Specification of materials and checking the certification documents confirming their properties in accordance with the requirements set out in point 4,
- b.) Control and testing in the manufacturing process and testing of finished products carried out by the Manufacturer in accordance with the established test plan and in accordance with the rules and procedures specified in the factory production control documentation, adapted to the production technology and aimed at obtaining the required product properties; production control ensures that the product complies with the Technical Specification; control results are systematically recorded; the records of the register should confirm that the products meet the criteria for assessing compliance with the standards; each batch of products is clearly identified in the test register and commercial documents.

### 07.04 Finished product testing

The tests of finished products include checking the shape and dimensions as well as the quality of workmanship and finish of the Adjustable Wedge Pedestals.

DECK-DRY Polska Sp. z o. o., 80-307 Gdańsk ul. Wenus 73A

phone.(+48) 58 511 04 31, (+48) 504 261 264, fax.(+48) 58 511 04 32 www.ddgro.eu

KRS 0000241286, District Court Gdańsk-Północ in Gdańsk, VII Commercial Division of the country. Court Register, NIP 584-11-83-361



## 07.05 Research frequency

Tests of finished products should be performed in accordance with the established test plan, but not less frequently than for each batch of products. The size of the batch of products should be specified in the factory production documentation.

## 07.06 Checking the softening temperature according to Vicat

The test is performed in accordance with PN-EN ISO 306: 2006. The test results are compared with the requirements of item 4.02.

## 07.07 Checking thermal stability

The test is performed according to the PN-EN 479: 1997 standard. The results are compared with the requirements of point 4.03.

## 07.08 Checking shape and dimensions

The shape check is performed by visual inspection of the Adjustable Pedestals with the naked eye in a well-lit room at a distance of approximately 0.5 m and compared with the corresponding drawings. Checking the dimensions is performed with universal measuring instruments, ensuring the accuracy of the measurement resulting from the tests according to point 4.04.

## 07.09 Checking workmanship and finishing

Checking the workmanship and finish is performed by visual inspection of the Adjustable Pedestals with an naked eye in a well-lit room from a distance of about 0.5 m for compliance with the requirements of point 4.05.

## 07.10 Checking resistance to pressure under static load

The test is performed according to the PN-EN 12825: 2002 + Ap1: 2005 standard. The results of testing are compared with the data in point 4.06.

## 07.11 Checking resistance to impact

The test is performed according to PN-EN 477: 1997 standard. The test results are compared with the data from point 4.07.

## 07.12 Taking samples for testing

Samples for testing are taken randomly, in accordance with the PN-N-03010: 1983 standard.

DECK - DRY Polska  
SPÓŁKA Z O.O.  
PL 80-307 Gdańsk-Oliwa, ul. Abrahama 43  
Regon 191118644, NIP 554-11-33-361  
tel. (0 58) 511 04 31/2

## **07.13 Rating of test results**

Products are deemed to comply with this Specification if the results of all tests are positive.

## **08.00 FORMAL AND LEGAL ARRANGEMENTS**

### **08.01 Usefulness and marking of RAPTOR adjustable wedge pedestals in construction**

Technical specification issued by DECK-DRY Polska Sp. z o.o. specifies the technical conditions and confirms the suitability for use in construction of the product - the RAPTOR Adjustable Wedge Pedestals System with accessories as a partial element of the terrace structure. The terrace pedestals themselves do not constitute a built-in building element.

The rules for placing construction products on the market after May 1, 2004 are laid down in the Construction Products Act of April 16, 2004 (Journal of Laws No. 92/2004, item 881) and its implementing regulations. The requirements of this act apply to products subject to mandates granted by the European Commission for the development of European harmonized standards or guidelines for European Technical Approvals (the list of mandates is included in the announcement of the Minister of Infrastructure of 5 July 2004 - Polish Monitor No. 32/2004, item 571).

Since the product - RAPTOR Adjustable Wedge Terrace Pedestals are not covered by mandates and harmonized standards of the European Union, therefore Technical Approvals, National Technical Assessments are not required. The final product, which is a terrace or a floor on joists, consisting of, among others in accordance with the regulations, the RAPTOR Adjustable Wedge Terrace Pedestals requires a National Technical Assessment prepared on the basis of the applied and built-in technological solution.

### **08.02 Permission violation**

The Technical Specification does not infringe the rights resulting from the provisions on the protection of industrial property rights, in particular the Notice of June 13, 2003 on the publication of the uniform text of the Act of June 30, 2000 - Industrial Property Law (Journal of Laws No. 119, item . 1117).

### **08.03 Manufacturer's responsibility**

By issuing the Technical Specification, the manufacturer is responsible for any infringement of exclusive and / or acquired rights. The Technical Specification does not release the Manufacturer from the responsibility for the proper quality of products and construction contractors from the responsibility for their proper use.

### **08.04 The content of prospectuses and advertisements issued**

The content of the published prospectuses and announcements as well as other documents related to the introduction to the market and the use of RAPTOR Adjustable Wedge Pedestals in the construction industry should contain information about this Technical Specification.

**DECK - DRY Polska**  
SPÓŁKA Z O.O.  
PL 80-307 Gdańsk-Oliwa, ul. Abrahama 48  
Regon 191118644, NIP 584-11-33-361  
tel. (0 58) 511 04 31/2



## 09.00 THE TERM OF VALIDITY

The Technical Specification is valid until December 31, 2023. The Specification validity may be extended for next periods and updated if any parameters change.

## 10.00 ADDITIONAL INFORMATION

Standards and related documents:

PN-EN 477:1997 - Unplasticized polyvinyl chloride (PVC-U) sections for the production of windows and doors. Determination of the resistance of the main sections to the impact of a falling weight.

PN-EN 479:1997 - Unplasticized polyvinyl chloride (PVC-U) sections for the production of windows and doors. Determination of thermal shrinkage.

PN-EN 22768-1:1999 - General tolerances. Tolerances for linear and angular dimensions without individual tolerance marks.

PN-EN ISO 306:2006 - Plastics. Thermoplastics. Determination of the Vicant softening point (VST).

PN-EN ISO 604:2006 - Plastics. Determination of compression properties.

PN-EN ISO 1873-1:2000 - Plastics. Polypropylene (PP) for injection molding and extrusion. Designation system and basis for classification.

PN-C-89110.06:1075 - Plastic products. Technological defects of injection products.

PN-N-03010:183 - Statistical quality control. Random selection of product units to sample.

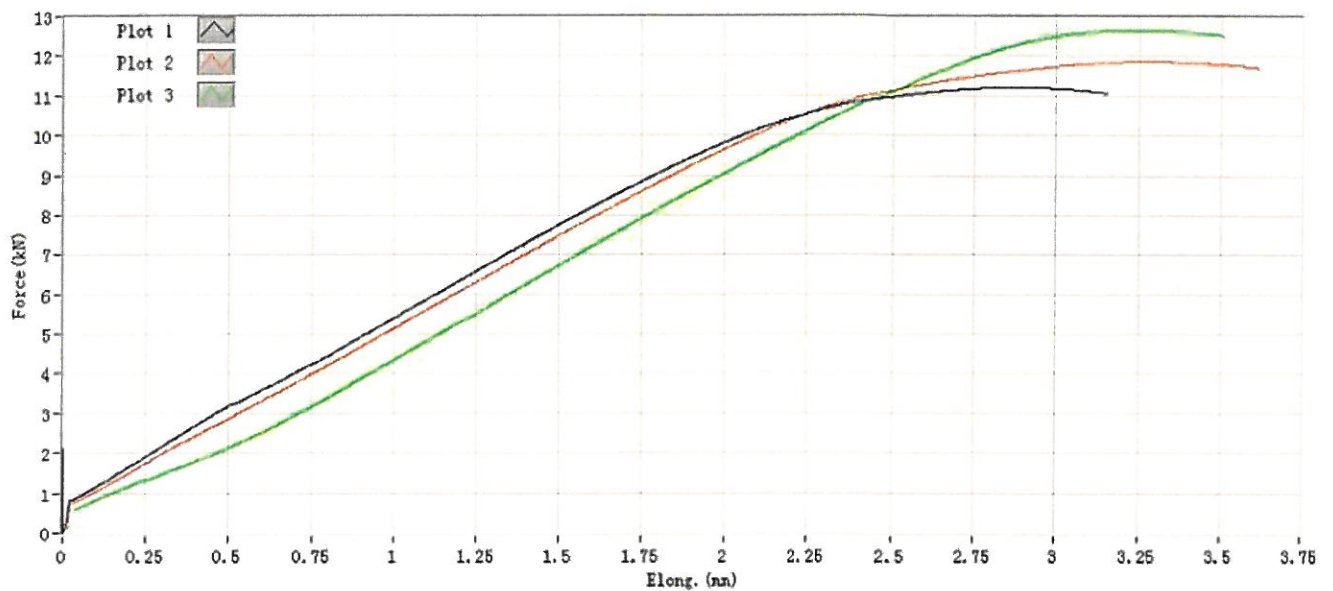
**DECK - DRY Polska**  
SPÓŁKA Z O.O.  
PL 80-307 Gdańsk-Oliwa, ul. Abrahama 48  
Regon 191118644, NIP 584-11-33-361  
tel. (0 58) 511 04 31/2

## 11.00 DIAGRAMS AND DRAWINGS

### 11.01 Diagrams of load

Tab. 11.01.1 - Load diagram ADJUSTABLE WEDGE PEDESTALS RAPTOR S 15-35 MM

DECK-DRY Sp. z o.o.					
Tensile Test Report					
Customer Name:		Operator:		Test Date:	9/22/20 17:50
Material Name:	RAPTOR S 15-35 DDR-S	Test Standard:	PN-EN 12825:2002+Ap1:2005	Specifications	0.2*1.5
Test2.000mm/min	2.000mm/min	Gauge Length:	35.000mm		



No.	Force @ Peak (kN)	Elong. @ Peak (mm)
1	11.207	2.892
2	11.861	3.258
3	12.661	3.229
Minimum	11.207	2.892
Mean	11.91	3.126
Maximum	12.661	3.258

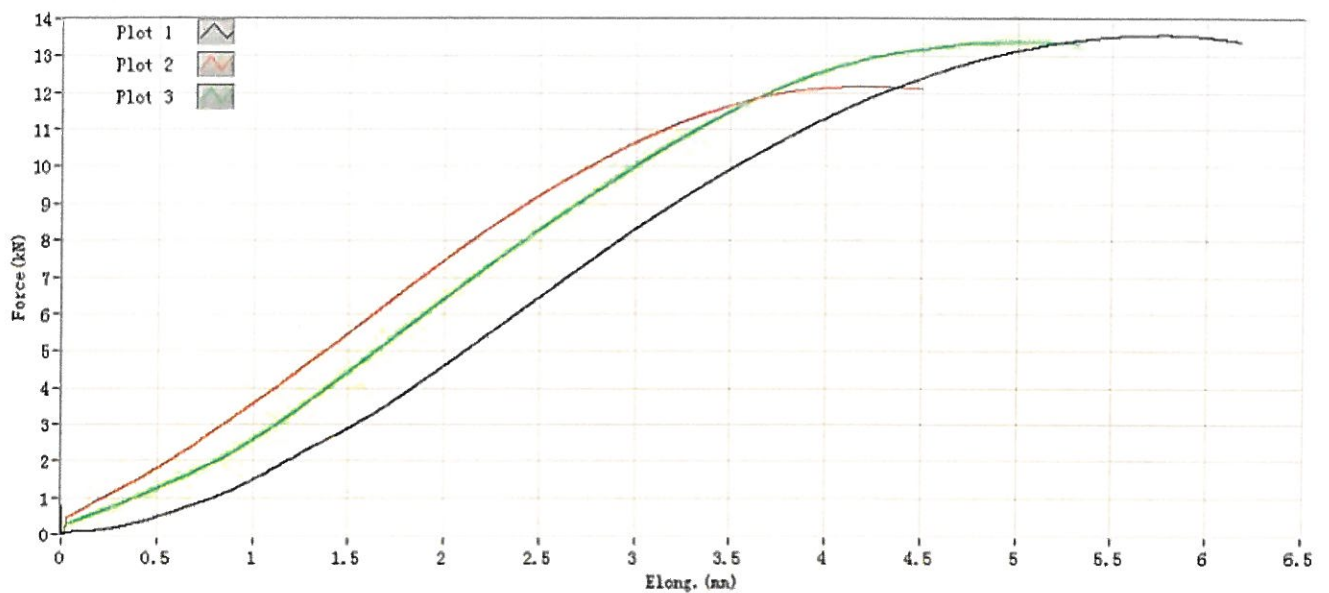
**DECK - DRY Polska**

SPÓŁKA Z O.O.  
 PL 80-307 Gdańsk-Oliwa, ul. Abrahama 48  
 Regon 191118644, NIP 584-11-33-361  
 tel (0 58) 511 04 31/2



**Tab. 11.01.2 - Load diagram ADJUSTABLE WEDGE PEDESTALS RAPTOR M 35-65 MM**

DECK-DRY Sp. z o.o.					
Tensile Test Report					
Customer Name:		Operator:		Test Date:	9/22/20 18:23
Material Name:	RAPTOR M 35-65 DDR-M	Test Standard:	PN-EN 12825:2002+Ap1:2005	Specifications	0.2*1.5
Test2.000mm/min	2.000mm/min	Gauge Length:	65.000mm		

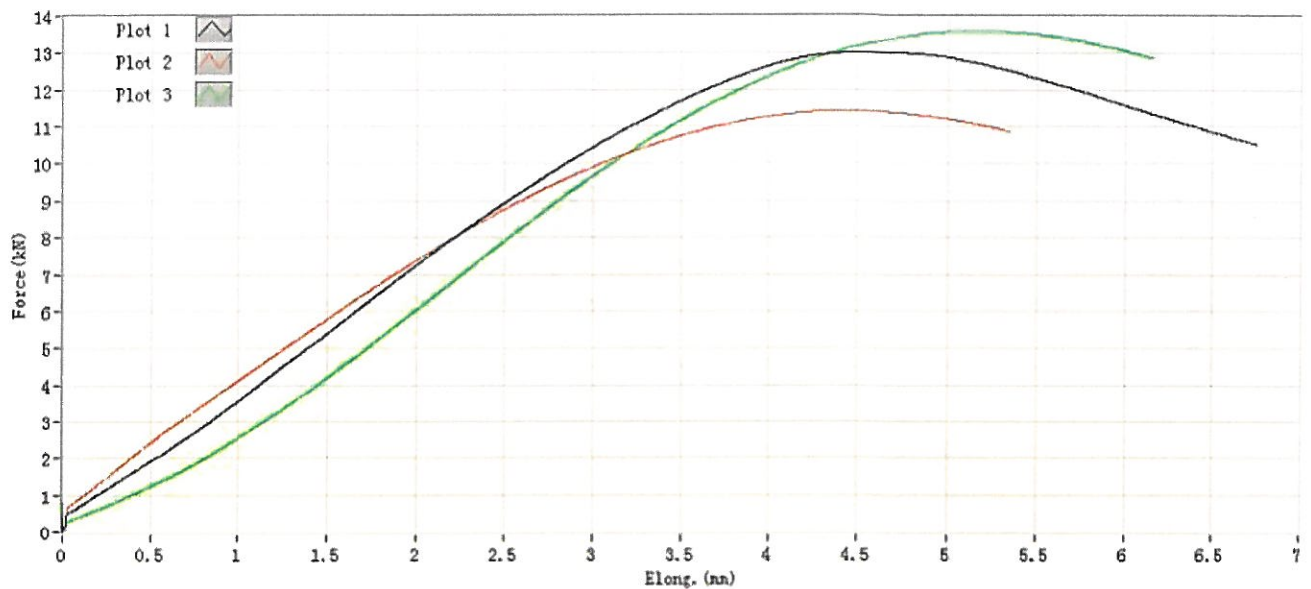


No.	Force @ Peak (kN)	Elong. @ Peak (mm)
1	13.566	5.786
2	12.173	4.193
3	13.394	5.042
Minimum	12.173	4.193
Mean	13.044	5.007
Maximum	13.57	5.79

**DECK - DRY Polska**  
SPÓŁKA Z O.O.  
PL 80-307 Gdańsk-Oliwa, ul. Abrahama 46  
Kontakt 191118644, NIP 584-11-83-361  
tel. (0 58) 511 04 31/2

**Tab. 11.01.3 - Load diagram ADJUSTABLE WEDGE PEDESTALS RAPTOR L 65-95 MM**

DECK-DRY Sp. z o.o.					
Tensile Test Report					
Customer Name:		Operator:		Test Date:	9/22/20 18:47
Material Name:	RAPTOR L 65-95 DDR-L	Test Standard:	PN-EN 12825:2002+Ap1:2005	Specifications	0.2*1.5
Test2.000mm/min	2.000mm/min	Gauge Length:	95.000mm		

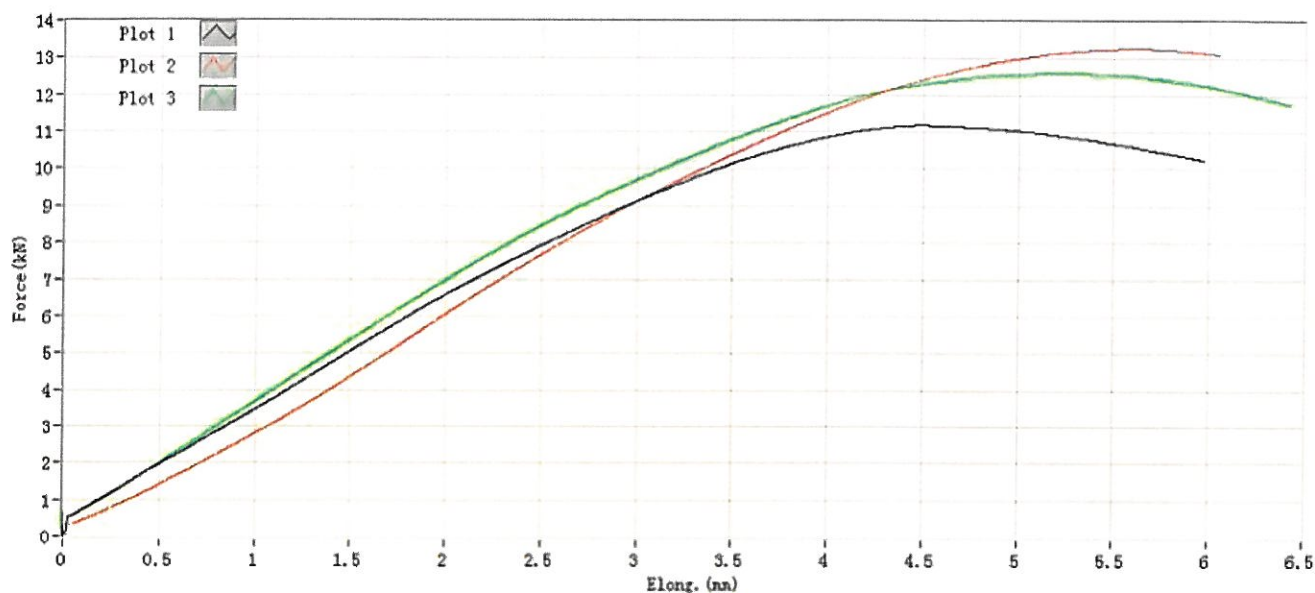


No.	Force @ Peak (kN)	Elong. @ Peak (mm)
1	13.027	4.588
2	11.427	4.448
3	13.594	5.168
Minimum	11.427	4.448
Mean	12.683	4.735
Maximum	13.594	5.168

**DECK - DRY Polska**  
 SPÓŁKA Z O.O.  
 PL 80-307 Gdańsk-Oliwa, ul. Abrahama 43  
 Telefon 191118644, NIP 584-11-83-361  
 tel (0 58) 511 04 31/2

Tab. 11.01.4 - Load diagram ADJUSTABLE WEDGE PEDESTALS RAPTOR XL 95-125 MM

DECK-DRY Sp. z o.o.					
Tensile Test Report					
Customer Name:		Operator:		Test Date:	9/22/20 19:38
Material Name:	RAPTOR XL 95-125 DDR-XL	Test Standard:	PN-EN 12825:2002+Ap1:2005	Specifications	0.2*1.5
Test2.000mm/min	2.000mm/min	Gauge Length:	125.000mm		



No.	Force @ Peak (kN)	Elong. @ Peak (mm)
1	11.177	4.48
2	13.269	5.589
3	12.591	5.236
Minimum	11.177	4.48
Mean	12.346	5.102
Maximum	13.269	5.589

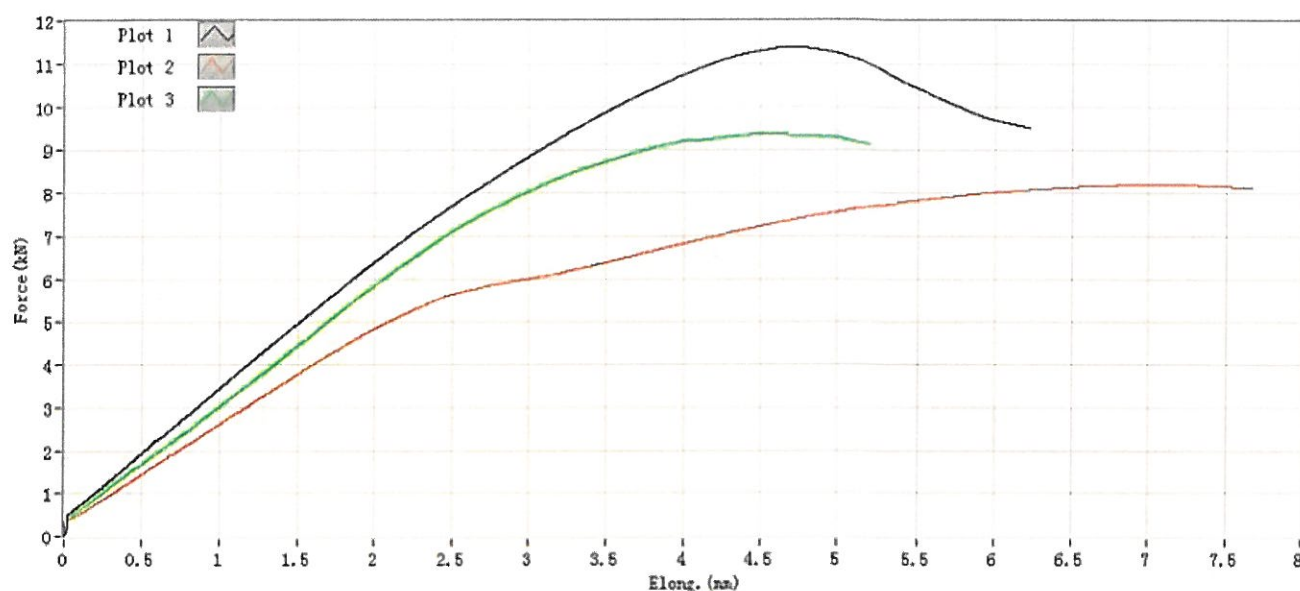
**DECK - DRY Polska**  
SPÓŁKA Z O.O.  
PL 80-307 Gdańsk-Oliwa, ul. Abrahama 43  
Regon 191118644, NIP 584-11-33-361  
tel (0 58) 511 04 31/2





Tab. 11.01.5 - Load diagram ADJUSTABLE WEDGE PEDESTALS RAPTOR XL1 125-155 MM

DECK-DRY Sp. z o.o.					
Tensile Test Report					
Customer Name:		Operator:		Test Date:	9/22/20 19:56
Material Name:	RAPTOR XL1 125-155 DDR-XL1	Test Standard:	PN-EN 12825:2002+Ap1:2005	Specifications	0.2*1.5
Test2.000mm/min	2.000mm/min	Gauge Length:	155.000mm		

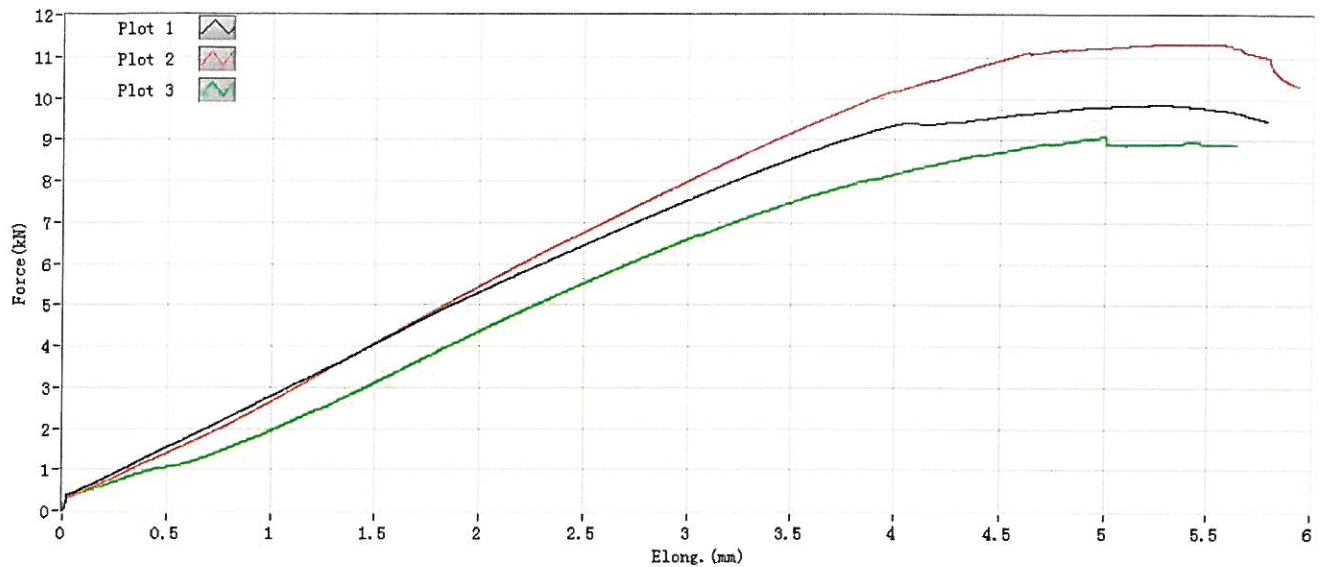


No.	Force @ Peak (kN)	Elong. @ Peak (mm)
1	11.392	4.706
2	8.195	7.012
3	9.362	4.491
Minimum	8.195	4.491
Mean	9.65	5.403
Maximum	11.39	7.01

**DECK - DRY Polska**  
 SPÓŁKA Z O.O.  
 PL 80-307 Gdańsk-Oliwa, ul. Abrahama 48  
 Regon 191118644, NIP 584-11-83-361  
 tel. (0 58) 511 04 31/2

**Tab. 11.01.6 - Load diagram ADJUSTABLE WEDGE PEDESTALS RAPTOR XL2 155-185 MM**

DECK-DRY Sp. z o.o.					
Tensile Test Report					
Customer Name:		Operator:		Test Date:	9/22/20 20:55
Material Name:	RAPTOR XL2 155-185 DDR-XL2	Test Standard:	PN-EN 12825:2002+Ap1:2005	Specifications	0.2*1.5
Test2.000mm/min	2.000mm/min	Gauge Length:	185.000mm		



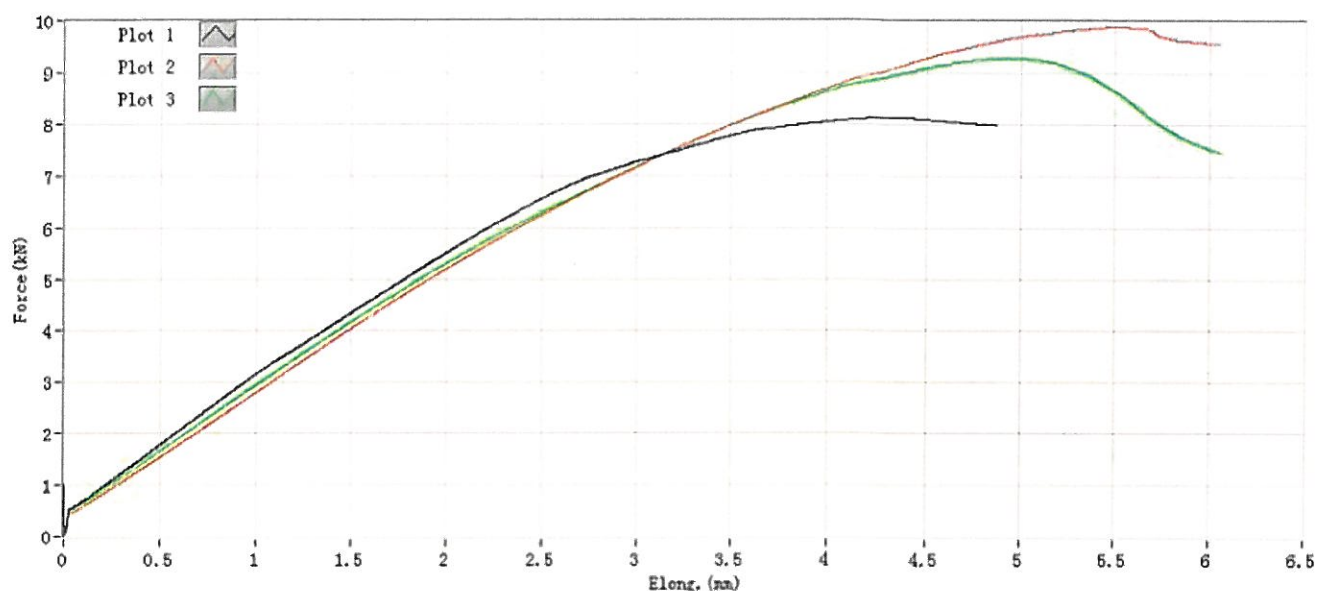
No.	Force @ Peak (kN)	Elong. @ Peak (mm)
1	9.843	5.306
2	11.33	5.485
3	9.076	5
Minimum	9.076	5
Mean	10.083	5.264
Maximum	11.33	5.49

**DECK - DRY Polska**  
SPÓŁKA Z O.O.  
ul. 80-307 Gdańsk-Oliwa, ul. Abrahama 43  
KRS 191118644, NIP 564-11-33-361  
tel. (0 58) 511 04 31/2



**Tab. 11.01.7 - Load diagram ADJUSTABLE WEDGE PEDESTALS RAPTOR XL3 185-215 MM**

DECK-DRY Sp. z o.o.					
Tensile Test Report					
Customer Name		Operator:		Test Date:	9/22/20 21:15
Material Name:	RAPTOR XL3 185-215 DDR-XL3	Test Standard	PN-EN 12825:2002+Ap1:2005	Specifications	0.2*1.5
Test Speed	2.000mm/min	Gauge Length:	215.000mm		



No.	Force @ Peak (kN)	Elong. @ Peak (mm)
1	8.137	4.369
2	9.893	5.54
3	9.276	4.924
Minimum	8.137	4.369
Mean	9.102	4.944
Maximum	9.89	5.54

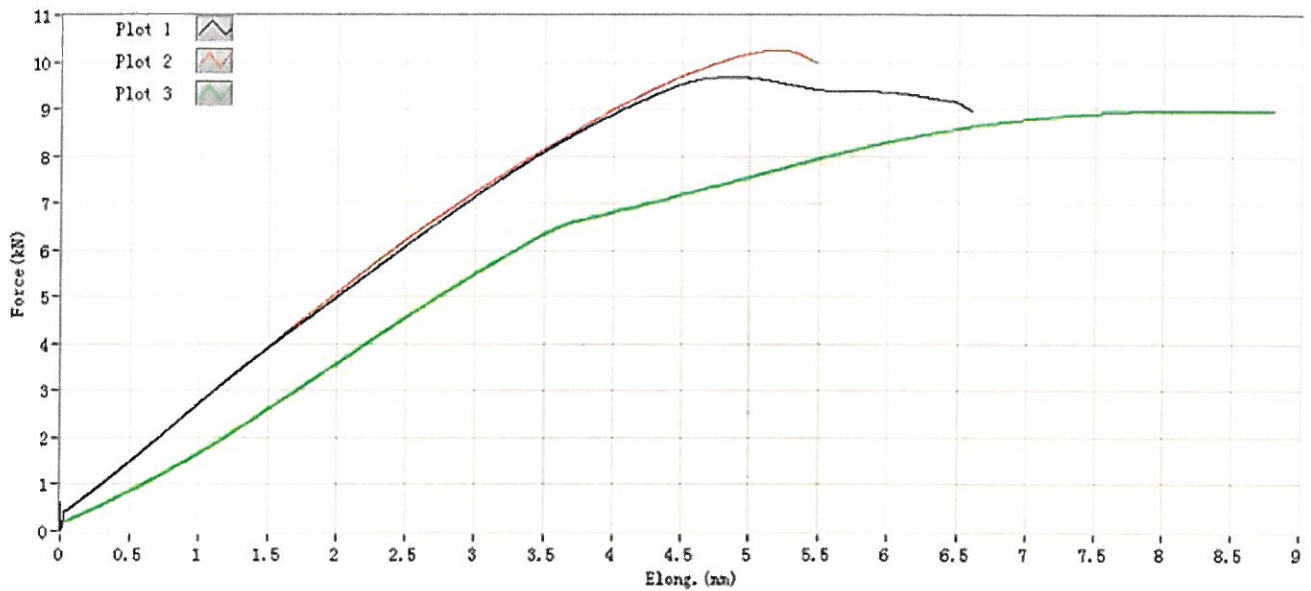
**DECK - DRY Polska**

SPÓŁKA Z O.O.  
PL 80-307 Gdańsk-Oliwa, ul. Abrahama 48  
Regon 191118644, NIP 584-11-83-361  
tel (0 58) 511 04 31/2



**Tab. 11.01.8 - Load diagram ADJUSTABLE WEDGE PEDESTALS RAPTOR XL4 215-245 MM**

DECK-DRY Sp. z o.o.					
Tensile Test Report					
Customer Name:		Operator:		Test Date:	9/22/20 21:34
Material Name:	RAPTOR XL4 215-245 DDR-XL4	Test Standard:	PN-EN 12825:2002+Ap1:2005	Specifications	0.2*1.5
Test2.000mm/min	2.000mm/min	Gauge Length:	245.000mm		



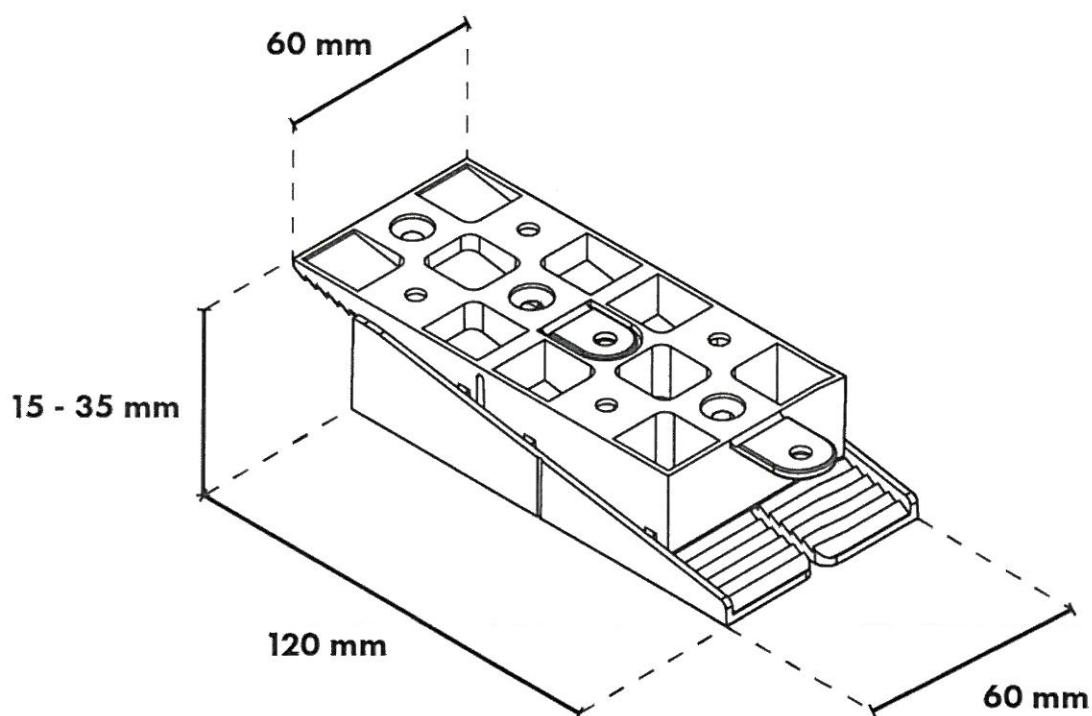
No.	Force @ Peak (kN)	Elong. @ Peak (mm)
1	9.69	4.831
2	10.268	5.202
3	8.984	8.286
Minimum	8.984	4.831
Mean	9.647	6.106
Maximum	10.27	8.29

**DECK - DRY Polska**  
 SPÓŁKA Z O.O.  
 ul. 80-307 Gdańsk-Oliwa, ul. Abrahama 48  
 tel. 191118644, NIP 584-11-83-361  
 tel. (0 58) 511 04 31/2



## 11.02 Drawings

Rys. 11.02.1 - ADJUSTABLE WEDGE PEDESTALS RAPTOR S 15-35 MM



DECK - DRY Polska

SPÓŁKA Z O.O.

PL 80-307 Gdańsk-Oliwa, ul. Abrahama 48

Telefon 191118644, NIP 584-11-83-361

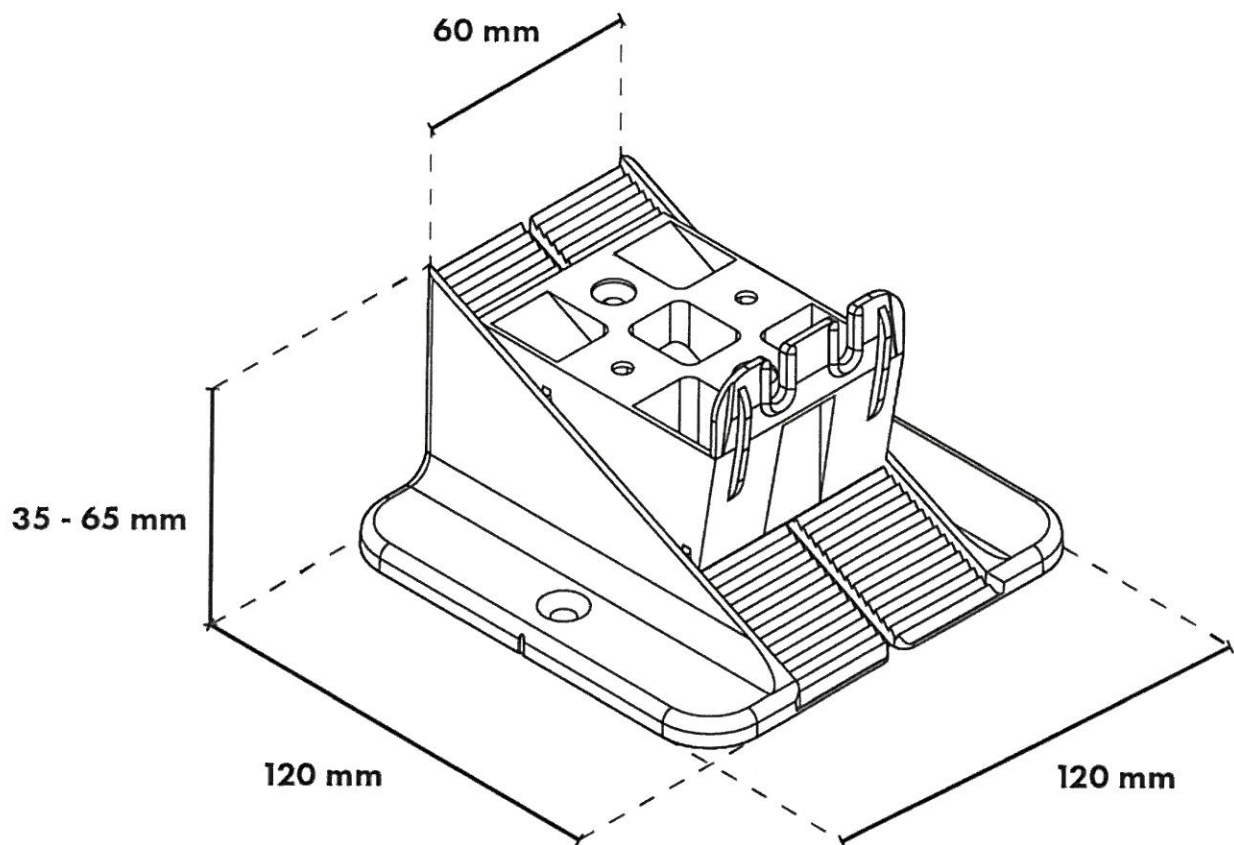
tel. (0 58) 511 04 31/2

DECK-DRY Polska Sp. z o. o., 80-307 Gdańsk ul. Wenus 73A

phone.(+48) 58 511 04 31, (+48) 504 261 264, fax.(+48) 58 511 04 32 [www.ddgro.eu](http://www.ddgro.eu)

KRS 0000241286, District Court Gdańsk-Północ in Gdańsk, VII Commercial Division of the country, Court Register, NIP 584-11-83-361

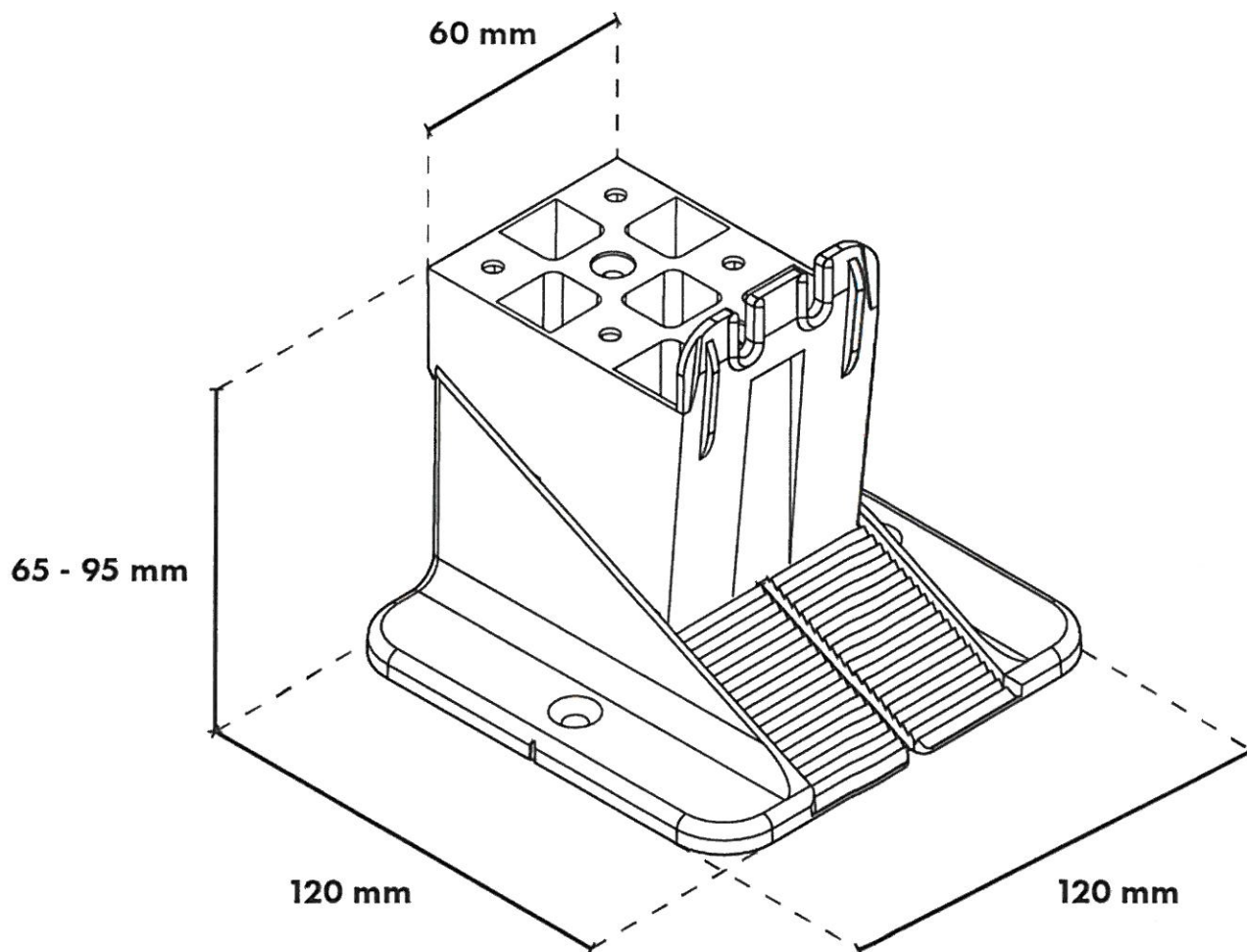
Rys. 11.02.2 - ADJUSTABLE WEDGE PEDESTALS RAPTOR M 35-65 MM



**DECK - DRY Polska**  
SPÓŁKA Z O.O.  
PL 80-307 Gdańsk-Oliwa, ul. Abrahama 48  
KRS 0000241286, NIP 584-11-83-361  
tel. (0 58) 511 04 31/2



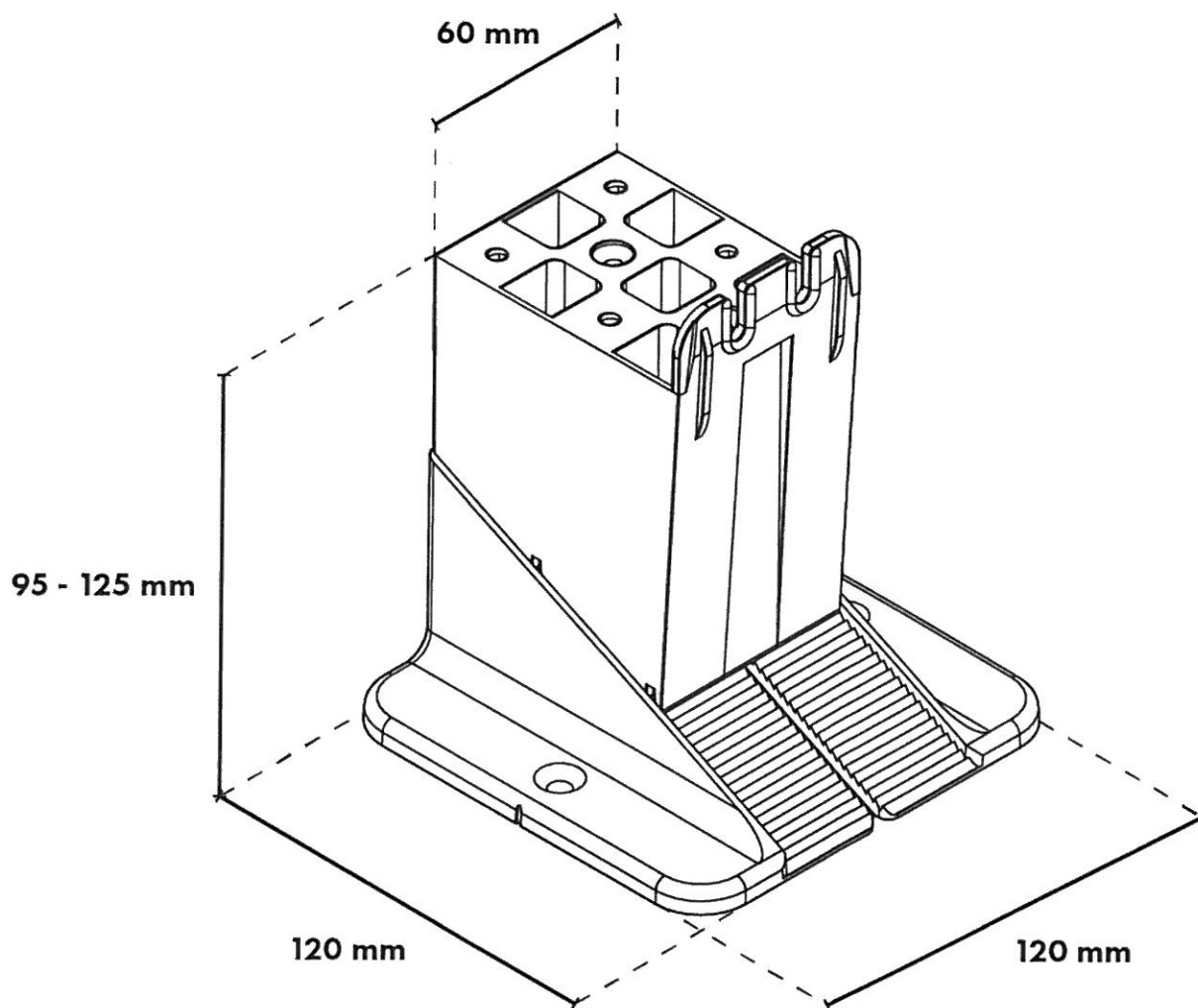
Rys. 11.02.3 - ADJUSTABLE WEDGE PEDESTALS RAPTOR L 65-95 MM



DECK - DRY Polska

SPÓŁKA Z O.O.  
PL 80-307 Gdańsk-Oliwa, ul. Abrahama 46  
Regon 191118644, NIP 584-11-83-361  
tel. (0 58) 511 04 31/2

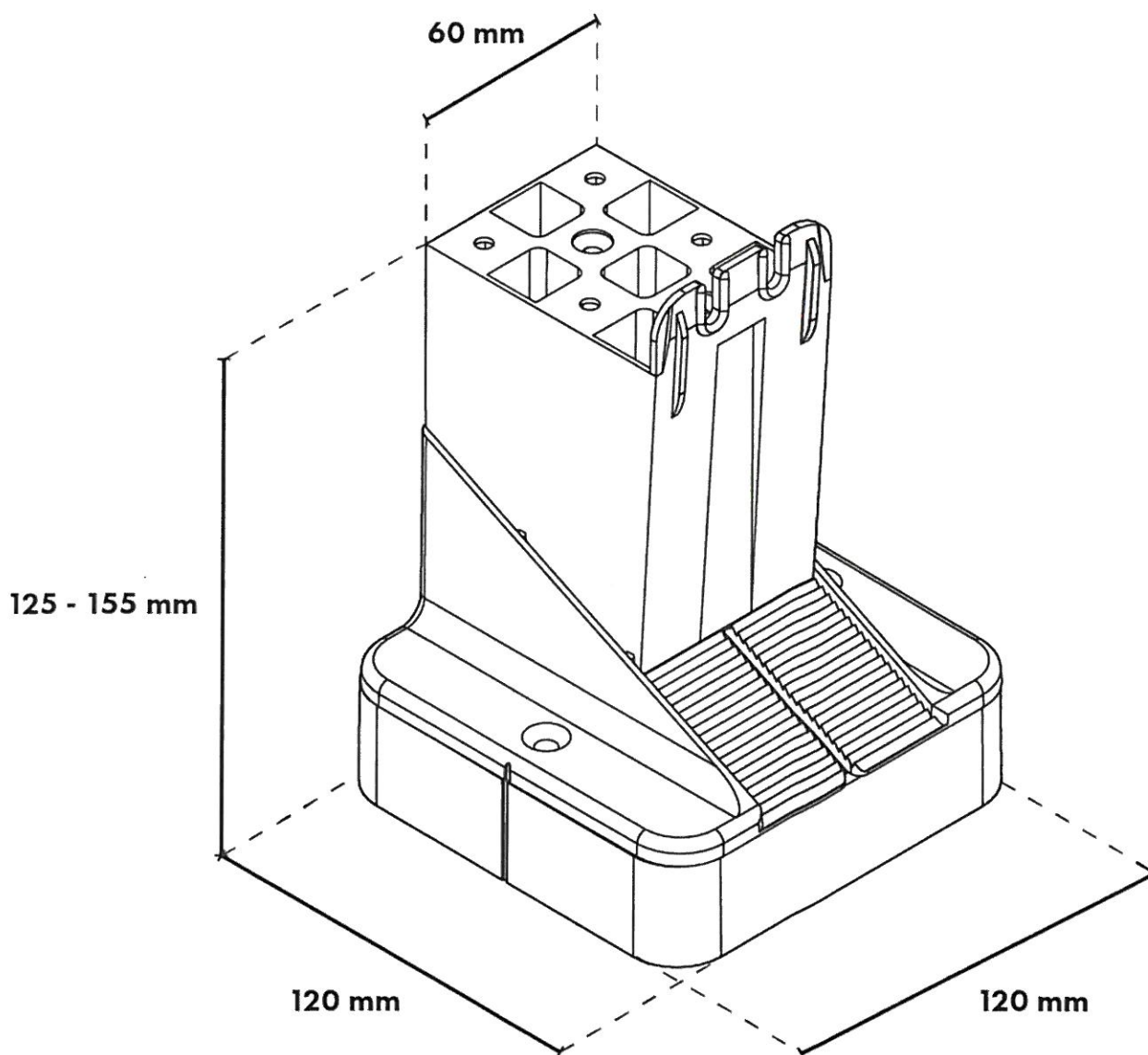
Rys. 11.02.4 - ADJUSTABLE WEDGE PEDESTALS RAPTOR XL 95-125 MM



**DECK - DRY Polska**  
SPÓŁKA Z O.O.  
PL 80-307 Gdańsk-Oliwa, ul. Abrahama 48  
Kontakt 191118644, NIP 584-11-83-361  
Tel (0 58) 511 04 31/2



Rys. 11.02.5 - ADJUSTABLE WEDGE PEDESTALS RAPTOR XL1 125-155 MM



DECK - DRY Polska

SPÓŁKA Z O.O.

PL 80-307 Gdańsk-Oliwa, ul. Abrahama 48

REGON 191118644, NIP 584-11-83-361

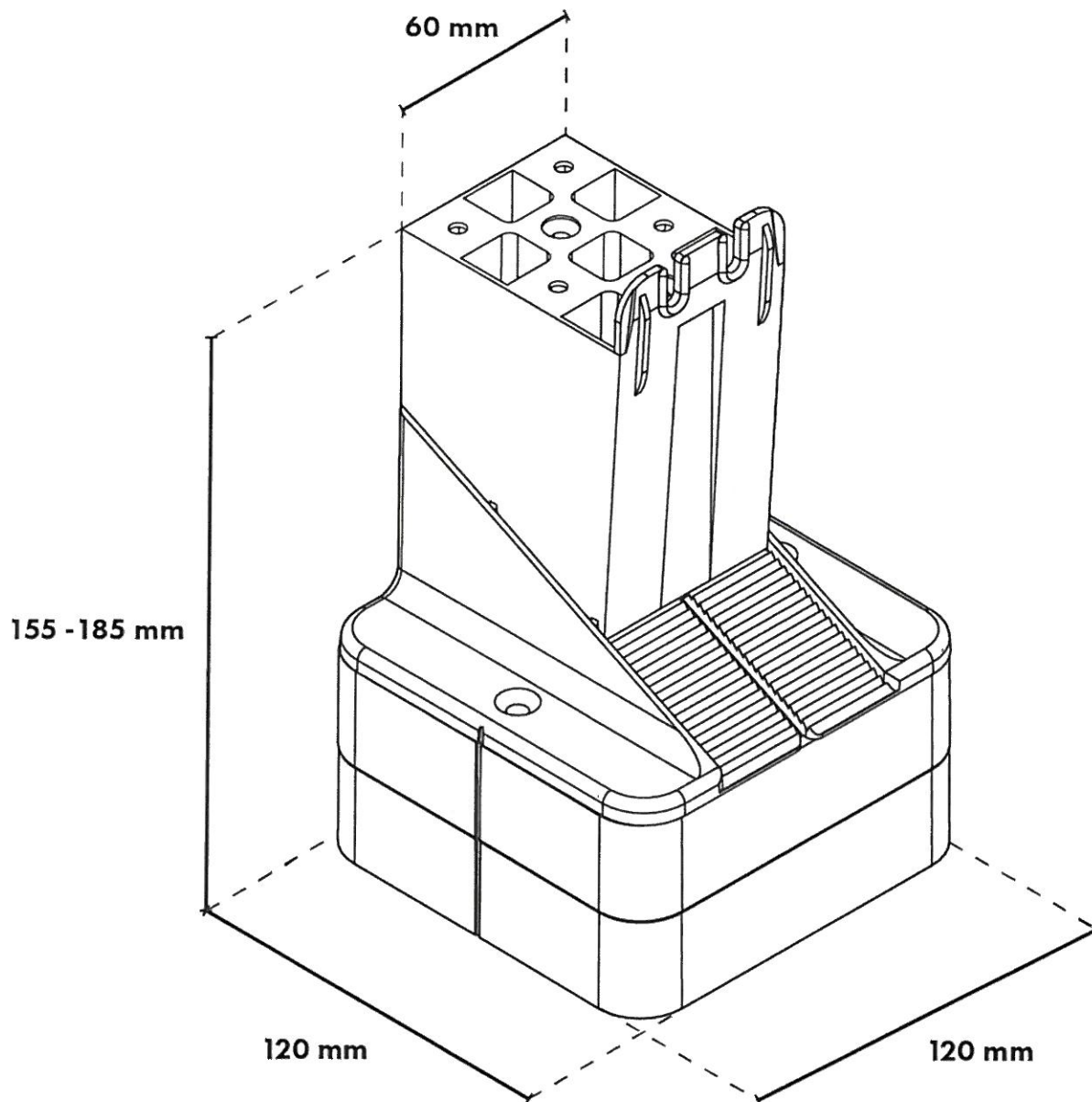
tel. (0 58) 511 04 31/2

DECK-DRY Polska Sp. z o. o., 80-307 Gdańsk ul. Wenus 73A

phone.(+48) 58 511 04 31, (+48) 504 261 264, fax.(+48) 58 511 04 32 [www.ddgro.eu](http://www.ddgro.eu)

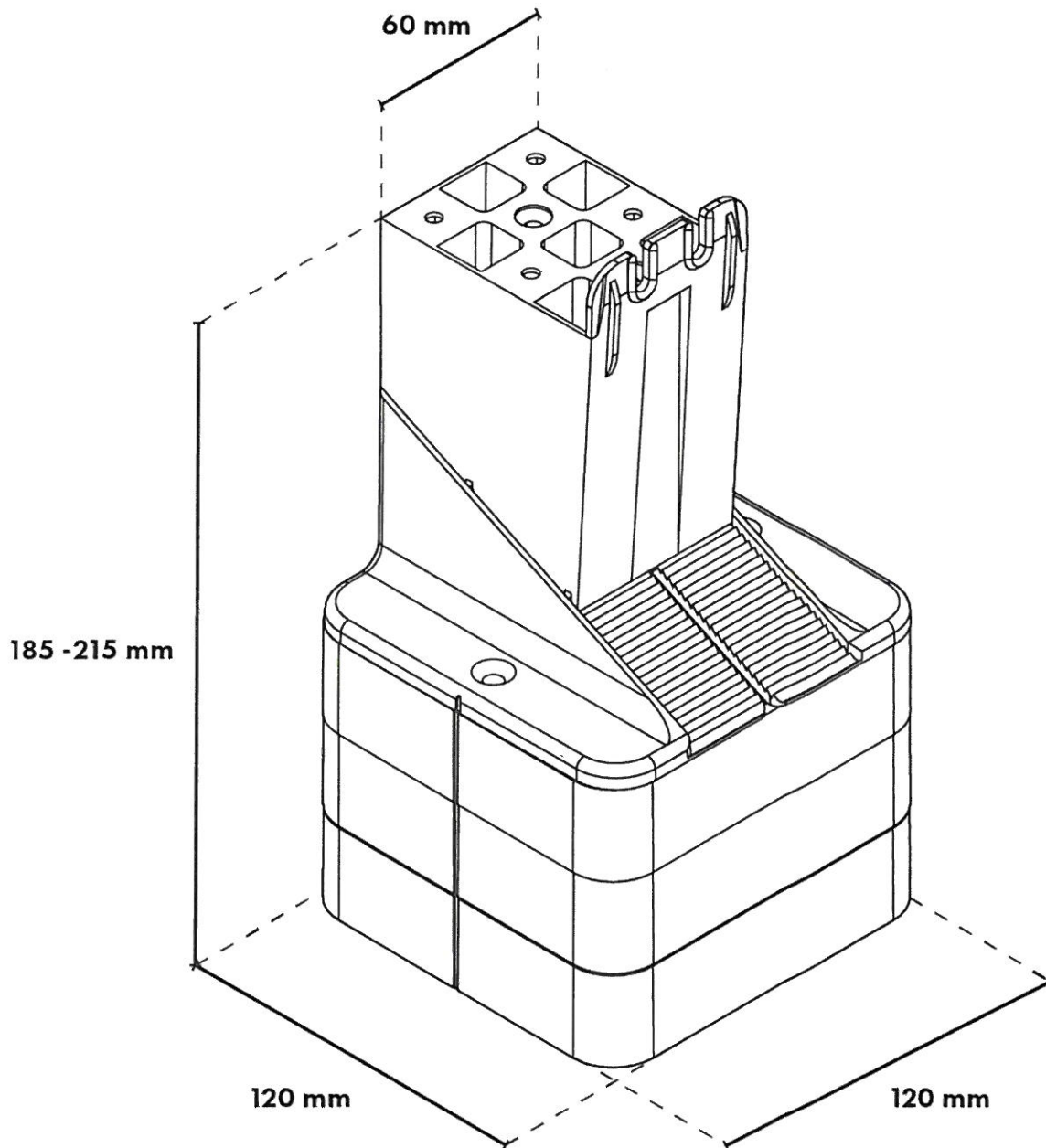
KRS 0000241286, District Court Gdańsk-Północ in Gdańsk, VII Commercial Division of the country. Court Register, NIP 584-11-83-361

Rys. 11.02.6 - ADJUSTABLE WEDGE PEDESTALS RAPTOR XL2 155-185 MM



**DECK - DRY Polska**  
SPÓŁKA Z O.O.  
PL 80-307 Gdańsk-Oliwa, ul. Abrahama 48  
KRS 0000241286, NIP 584-11-83-361  
tel (0 58) 511 04 31/2

Rys. 11.02.7 - ADJUSTABLE WEDGE PEDESTALS RAPTOR XL3 185-215 MM



DECK - DRY Polska

SPÓŁKA Z O.O.

PL 80-307 Gdańsk-Oliwa, ul. Abrahama 48

REGON 191118644, NIP 584-11-83-361

TEL (0 58) 511 04 31/2

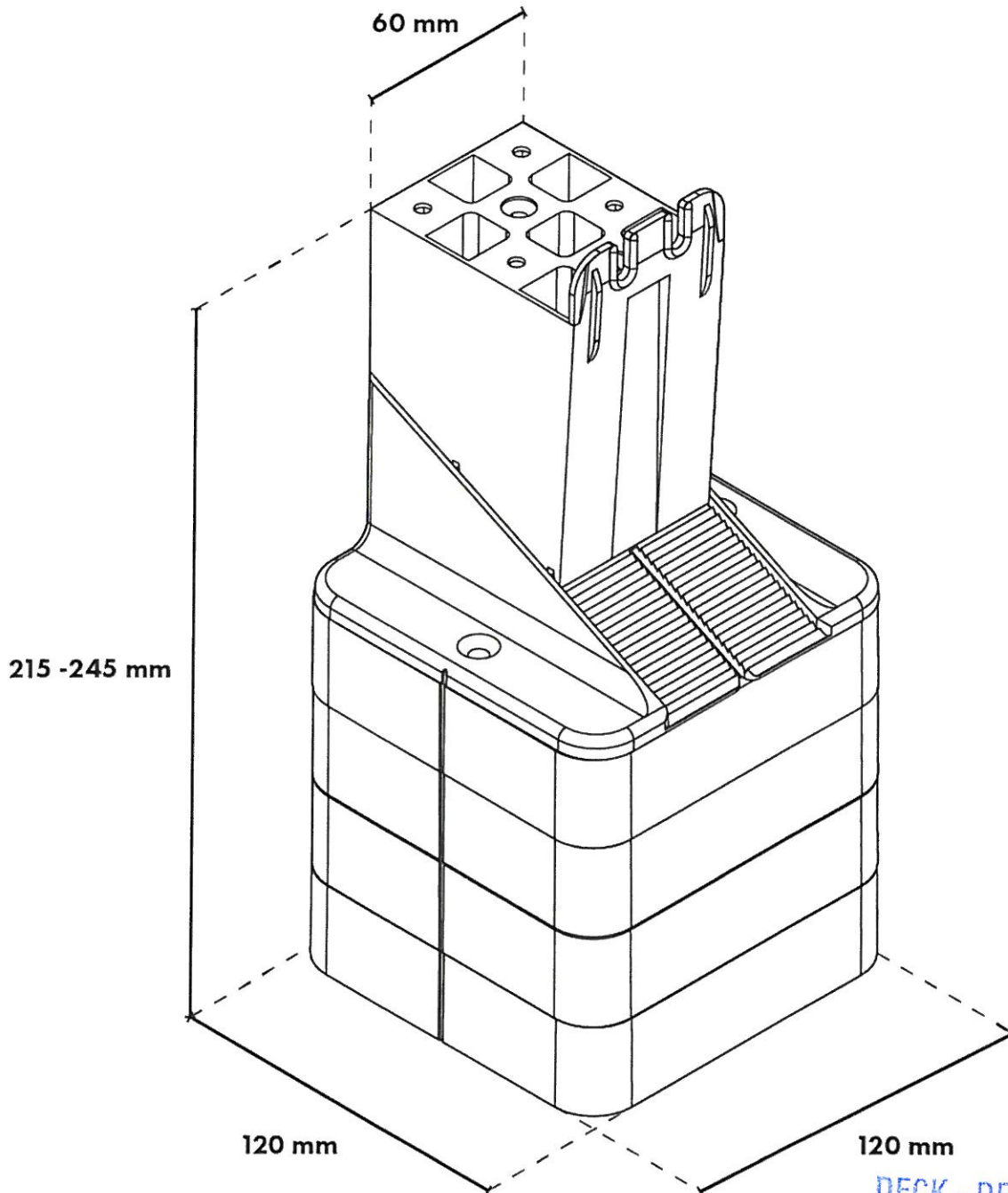
DECK-DRY Polska Sp. z o. o., 80-307 Gdańsk ul. Wenus 73A

phone.(+48) 58 511 04 31, (+48) 504 261 264, fax.(+48) 58 511 04 32 [www.ddgro.eu](http://www.ddgro.eu)

KRS 0000241286, District Court Gdańsk-Północ in Gdańsk, VII Commercial Division of the country. Court Register, NIP 584-11-83-361



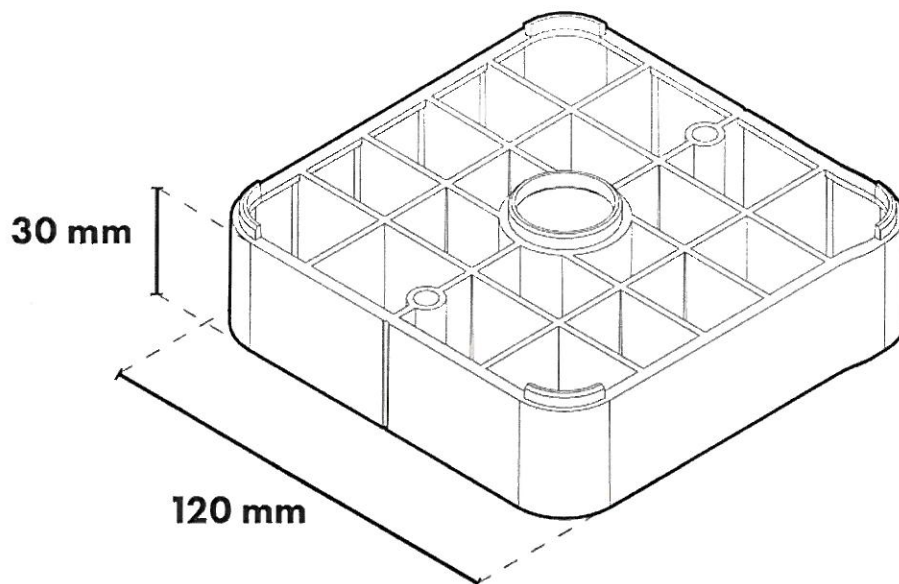
Rys. 11.02.8 - ADJUSTABLE WEDGE PEDESTALS RAPTOR XL4 215-245 MM



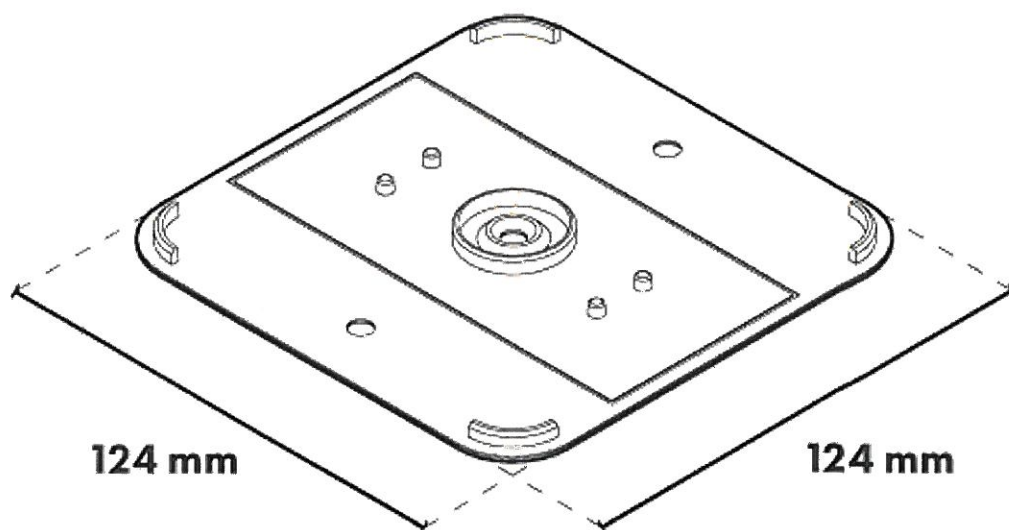
**DECK - DRY Polska**  
SPÓŁKA Z O.O.  
PL 80-307 Gdańsk-Oliwa, ul. Abrahama 48  
Regon 191118644, NIP 564-11-33-361  
tel (0 58) 511 04 31/2

**Complementary accessories**

**Rys. 11.02.9 - RAISER 30 MM**



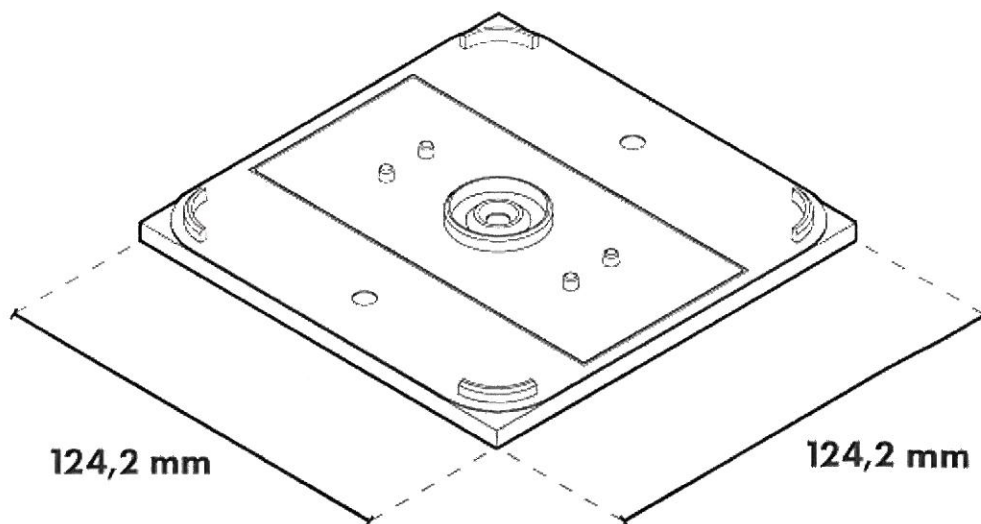
**Rys. 11.02.10 - PROTECTION PAD 2 MM (PO)**



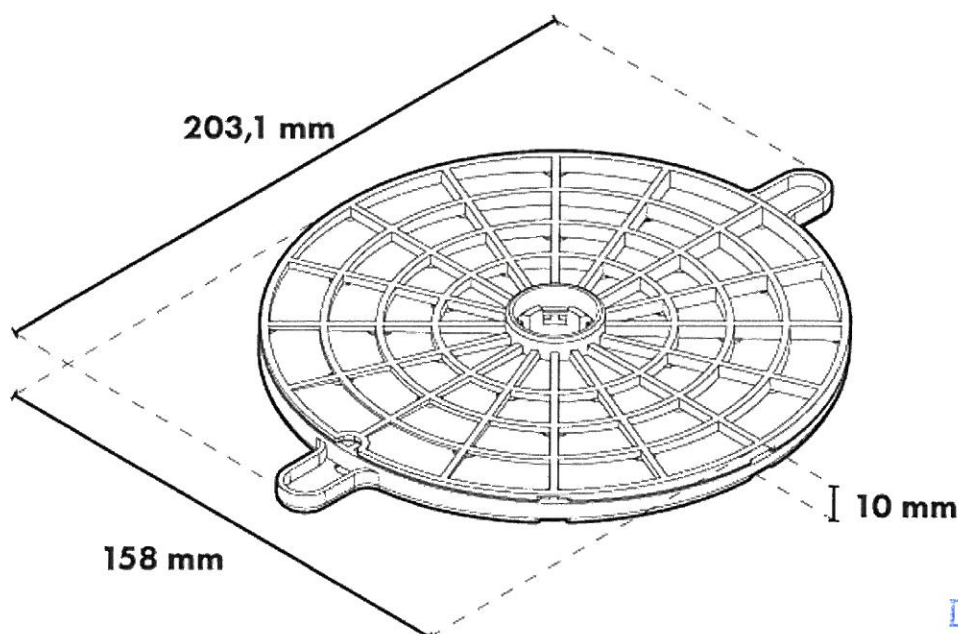
**DECK - DRY Polska**

SPÓŁKA Z O.O.  
PL 80-307 Gdańsk-Oliwa, ul. Abrahama 41  
Regon 191118644, NIP 584-11-83-36  
tel. (0 58) 511 04 31/2

Rys. 11.02.11 - ACOUSTIC PAD 10 MM (PA)



Rys. 11.02.12 - SLOPE CORRECTOR 7%



**DECK - DRY Polska**

SPÓŁKA Z O.O.  
PL 80-307 Gdańsk-Oliwa, ul. Abrahama 43  
R e g o n 19118644, NIP 584-11-83-361  
tel. (0 55) 511 04 31/2

**THE END**



