

### Tile Ventilator Range - Cowled Universal Roof Vent

CODE CURV

#### Description

The Cowled Universal Roof Vent is designed to provide a quick and simple solution to the problems of roofspace ventilation and mechanical extraction / soil stack termination through a wide variety of roof coverings. It is especially useful on jobs where the installer may not know what the roof covering is.

Designed to suit both large and small format interlocking tiles, both flat and profiled in design, including deep bold roll styles of tile. The vent is fitted with a versatile flashing skirt which can be dressed to match the relevant profile of the roof covering and comes with an adhesive mastic backing which securely seals the flashing down to the roof.

The hooded cowl protects the opening from the elements whilst providing an airflow path into the roofspace. An integral 4mm louvred grill within the cowl prevents the entry of debris and large nesting insects.

When using the vent for mechanical extraction or soil stack / vent pipe termination, the lower outlet is stepped to allow for 4", 5" or an oval 6" connection. The 4" connection can be joined to one of the Manthorpe range of GRPA Flexible Pipes to continue the ducting further into the roofspace.

For more detailed fitting instructions see MBP-1151.

#### Weight

1.78kg

#### Box Qty

Single (2.03kg per box)

#### Material

Hood PVC  
Base Polypropylene  
Flashing Polymer Rubber

#### Colours (Cowl)

Terracotta, Black, Grey, Brown & Red

#### Free Airflow

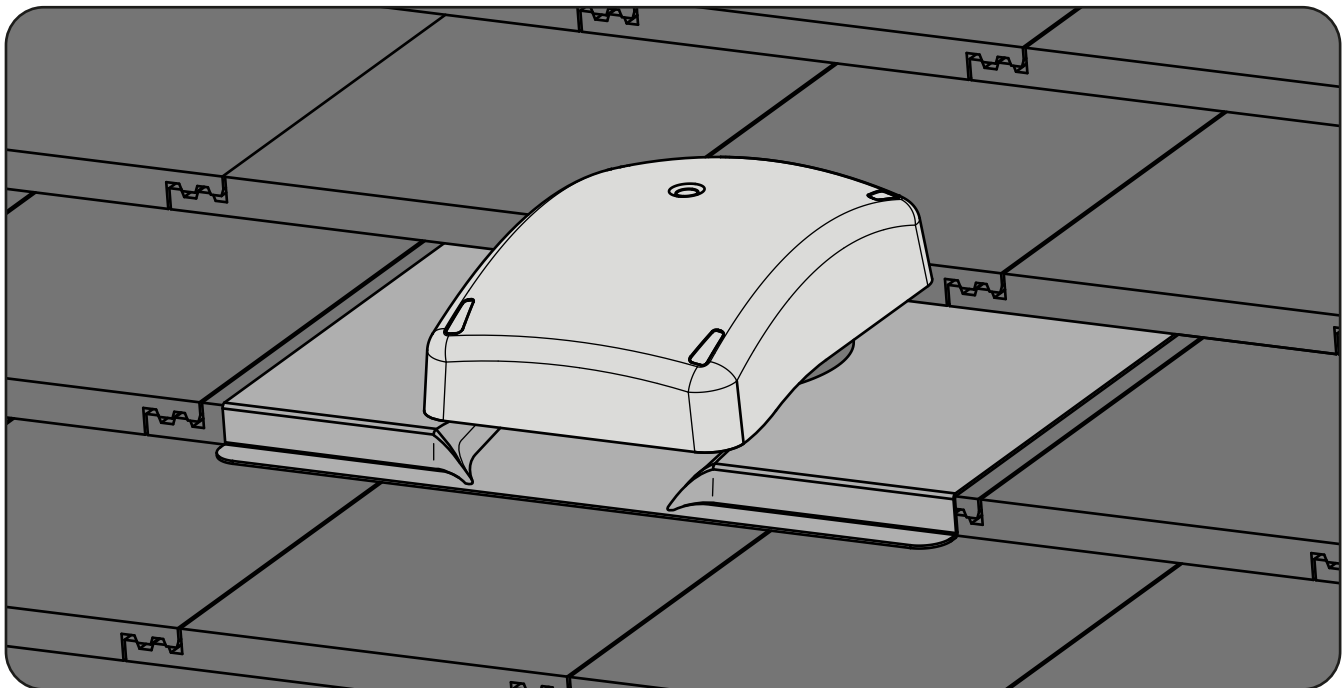
4" round 8,650 mm<sup>2</sup>  
5" round 12,750 mm<sup>2</sup>  
6" oval 13,350 mm<sup>2</sup>

#### Minimum Pitch

12.5°

#### Features

- Flexible flashing skirt allows for universal fitting
- Suits a range of flat and profiled interlocking tiles
- Suits both large and small format interlocking tiles.
- A range of hooded cowl colours are available.
- Independently wind tunnel tested.
- No batten cutting required during installation.
- Multiple outlets feed directly into roof space.
- 4", 5" and 6" pipe outlets available for extraction.
- Provides a 4mm louvred flyscreen grill.



MANTHORPE BUILDING PRODUCTS LTD  
MANTHORPE HOUSE  
BRITAIN DRIVE  
CODNOR GATE BUSINESS PARK  
RIPLEY  
DERBYSHIRE DE5 3ND

TEL: 01773 303 000  
FAX: 01773 303 300  
EMAIL:  
mbp.care@manthorpebp.co.uk  
WEB  
www.manthorpebp.co.uk

DRN B.H. Date 20.12.19

The company maintains a policy of continuous development of its product range and reserves the right to amend the specification without notice.

DRG No

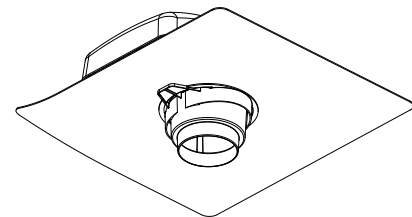
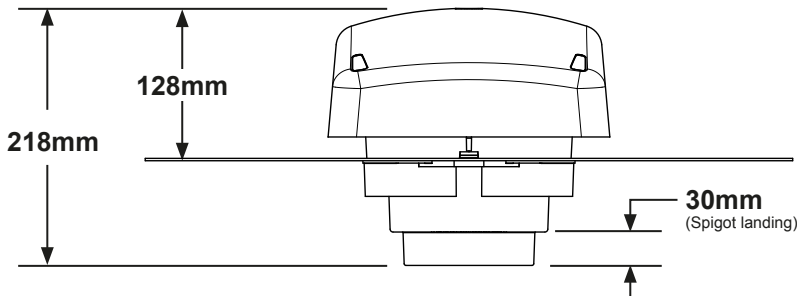
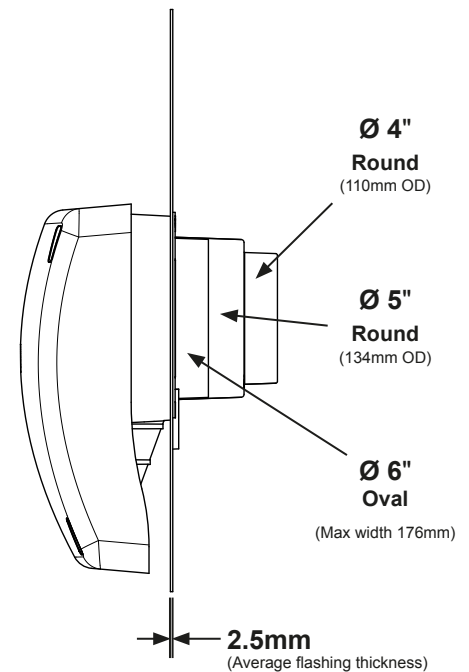
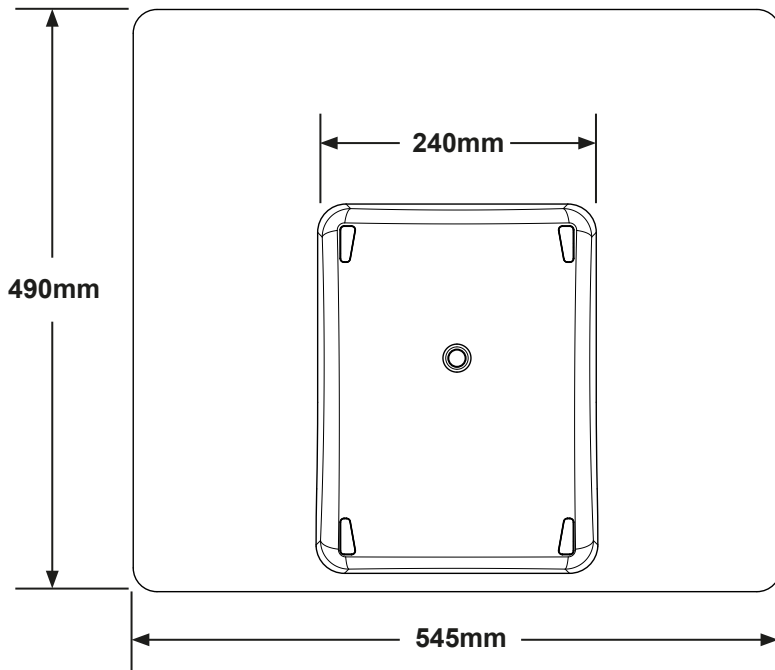
**MBP 8348**

Issue

**B**  
1 of 2

### Tile Ventilator Range - Cowled Universal Roof Vent

CODE **CURV**



View of 4", 5" and 6" stepped spigots

### Installation Overview

The flashing skirt is designed to be dressed over the course the vent sits on, to allow for the penetration below, an entire tile can be removed or the corners of two adjacent tiles can be trimmed to create an opening. In both instances a strip of tile/slate the same depth as the headlap should be left to support the rear of the flashing.

### References

BSI: BS 5250:2011 Control of Condensation in Building  
 BSI: BS 5534:2014 Code of Practice for Slate and Tiling  
 BSI: BS 490:2004 Concrete tiles and fittings for roof covering  
 BRE: prEN 15601  
 Building Regulations 2010  
 NHBC: Good Craftsmanship Guides

### Required Ventilation

### Vent Spacing Centres

Required Ventilation	Vent Spacing Centres		
	4" Spigot	5" Spigot	6" Spigot
5,000 mm <sup>2</sup> /m	1.73m	2.55m	2.67m
10,000 mm <sup>2</sup> /m	0.87m	1.28m	1.34m
25,000 mm <sup>2</sup> /m	0.35m	0.51m	0.53m

MANTHORPE BUILDING PRODUCTS LTD  
 MANTHORPE HOUSE  
 BRITAIN DRIVE  
 CODNOR GATE BUSINESS PARK  
 RIPLEY  
 DERBYSHIRE DE5 3ND

TEL: 01773 303 000  
 FAX: 01773 303 300  
 EMAIL: mbp.care@manthorpebp.co.uk  
 WEB: www.manthorpebp.co.uk

DRN B.H.

Date 20.12.19

DRG No

Issue

The company maintains a policy of continuous development of its product range and reserves the right to amend the specification without notice.

**MBP 8348**

**B**  
2 of 2