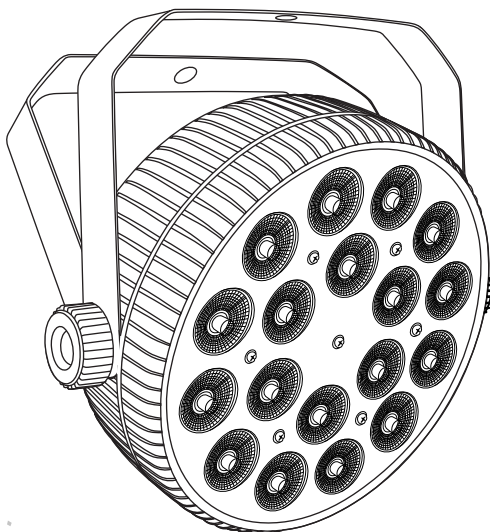


18x10W LED Par Light

User Manual



OPPSK

1. Before You Begin

What In the Box:

- 1 x 18LEDs Par Light
- 2 x Bracket
- 2 x Screw
- 1 x Power Cord
- 1 x User Manual

Unpacking Instructions:

Carefully unpack the product immediately and check the container to make sure all the parts are in the package and are in good condition.

Caution

There are no user serviceable parts inside the fixture. Do not open the housing or attempt any repairs yourself. In the unlikely situation, your unit may require service, please contact us: **info@oppsk.com**

Disclaimer:

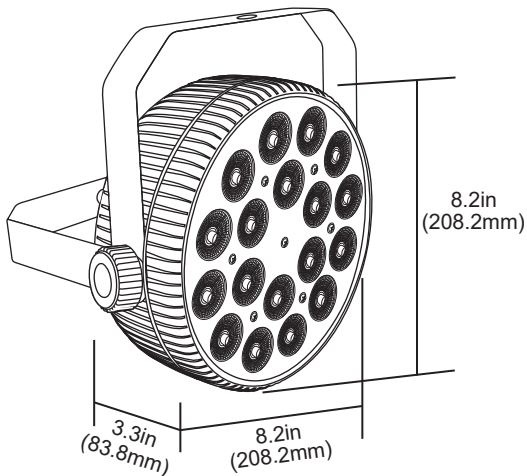
OPPSK believes that the information contained in this manual is accurate in all respects. However, OPPSK assumes no responsibility and specifically disclaims any and all liability to any party for any loss, damage or disruption caused by any errors or omissions in this document, whether such errors or omissions result from negligence, accident or any other cause. OPPSK reserves the right to revise the content of this document without any obligation to notify any person or company of such revision, however, OPPSK has no obligation to make, and does not commit to make, any such revisions.

Safety Introductions:

- Please keep this User Manual for future consultation.
- Unpack and check carefully there is no transportation damage before using the fixture.
- Before operating, ensure that the voltage and frequency of power supply match the power requirements of the fixture.
- It's important to ground the yellow/green conductor to earth in order to avoid electric shock.
- Disconnect main power before servicing and maintenance.
- Use safety chain when fixes this fixture. Don't handle the fixture by taking its head only, but always by taking its base.
- Maximum ambient temperature is $T_a : 104^{\circ}\text{F} / 40^{\circ}\text{C}$. Don't operate it where the temperature is higher than this.
- In the event of serious operating problem, stop using the fixture immediately. Never try to repair the fixture by yourself. Repairs carried out by unskilled people can lead to damage or malfunction. Please contact the nearest authorized technical assistance center. Always use the same type spare parts.
- Do not connect the device to any dimmer pack.
- Do not touch any wire during operation and there might be a hazard of electric shock.
- To prevent or reduce the risk of electrical shock or fire, do not expose the fixture to rain or moisture.
- The housing must be replaced if they are visibly damaged.
- Do not look directly at the LED light while the fixture is on.

2. Introduction:

Product Overview & Size



3. Setup:

AC Power:

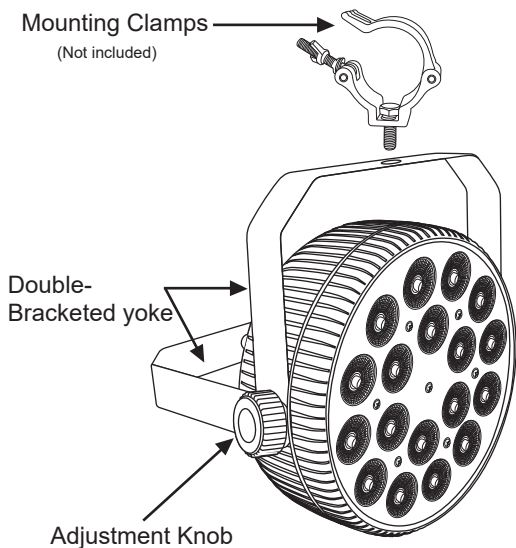
The LED Par Light has an auto-ranging power supply and it can work with an input voltage range of 110 to 240 VAC, 50/60 Hz. To determine the product's power requirements (circuit breaker, power outlet, and wiring), use the current value listed on the label affixed to the product's back panel, or refer to the product's specifications chart. The listed current rating indicates the product's average current draw under normal conditions.

Mounting:

Before mounting the product, read and follow the safety recommendations indicated in the Safety Introductions.

Orientation:

The LED Par Light may be mounted in any position; however, make sure adequate ventilation is provided around the product.



4. Operation:

Control Panel Operation:

To access the control panel functions, use the four buttons located underneath the display.

Button	Function
<MENU>	Select an operation mode or back out of the current menu option
<UP>	Scroll up the list of option or select a higher value
<DOWN>	Scroll down the list of option or select a lower value
<ENTER>	Activate a menu option or a selected value

System Menu

Menu	Options	Functions
d001	d001-d512	DMX Address Setting
Auxx	Au01	Red
	Au02	Green
	Au03	Blue
	Au04	White
	Au05	Amber
	Au06	UV
	Au07	Cyan
	Au08	3 Color Jump (RGB)
	Au09	7 Color Jump (RGBWA+UV+Cyan)
	Au10	Fade Mode
	So01	Sound Control with Jump
	So02	Sound Control with Strobe

St00	St00	No Strobe
	St01-St16	Strobe Speed (Slow to fast)
Sn00	Sn00-Sn16	Adjustable Sound Sensitivity
Sp00	Sp00-Sp16	Adjust the speed of Au08, Au09, Au10 (Slow to fast)
R000	R000-255	Red Dimming
G000	G000-255	Green Dimming
B000	B000-255	Blue Dimming
U000	U000-255	White Dimming
A000	A000-255	Amber Dimming
P000	P000-255	UV Dimming

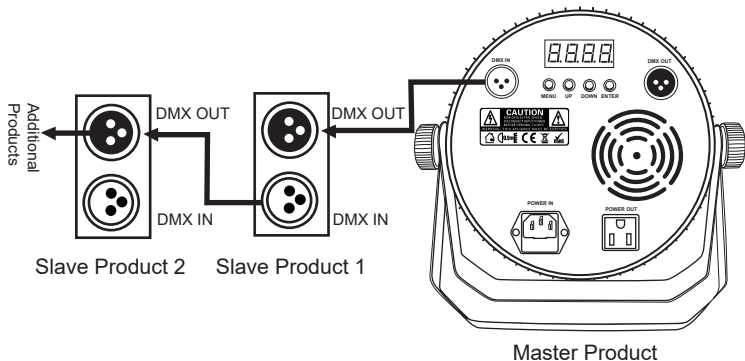
DMX Mode : 10CH

Ch1	Master Dimming	0-255	0-100%
CH2	Strobe	0-255	Strobe Speed (Slow to fast)
CH3	Mode	0-49	No Function
		50-99	Jump Mode
		100-149	Fade Mode
		150-199	Pulse Mode
		200-255	Sound Activated Mode
CH4	Speed	0-255	Speed (Slow to fast)
CH5	Red Dimming	0-255	0-100%
CH6	Green Dimming	0-255	0-100%
CH7	Blue Dimming	0-255	0-100%
CH8	White Dimming	0-255	0-100%
CH9	Amber Dimming	0-255	0-100%
CH10	UV Dimming	0-255	0-100%

DMX Connection:

Set the product in DMX mode / d001 to control with a DMX controller.

- Connect the product to a suitable power outlet
- Connect a DMX cable from the DMX output of the DMX controller to the DMX input socket on the product.



5. TECHNICAL SPECIFICATIONS:

Power: 180W

Voltage: AC110-240V, 50/60Hz

LED: 18Pcs*10W RGBWA+UV 6in1

Color: RGBWA+UV

Beam Angle: 45°

Dimmer: 0-100% Linear Dimming

Operation Mode: Jump, Fade, Strobe, DMX512, Sound, Master-slave

Channel: 10CH

Package Size: 26x26x12.5cm / 10.2x10.2x4.9inch

Weight: 2.6kg / 5.7lb