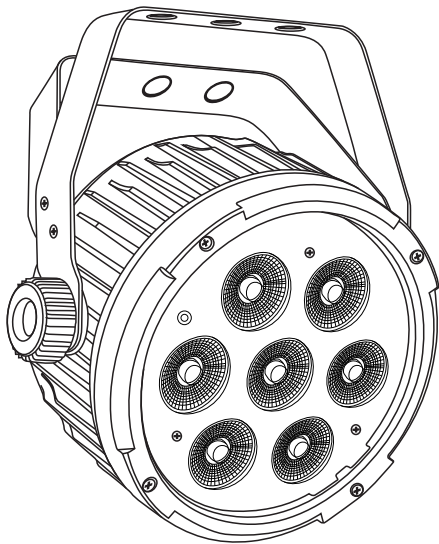


70W 7LED RGBWA LED Par Lights

User Manual



OPPSK
///

1. Before You Begin

What In the Box :

- 1 x 70W 7LED RGBWA LED Par Lights
- 1 x Brackets
- 1 x Removable Power Cord
- 1 x IR Remote Controller
- 2 x Adjustment Knobs
- 1 x User Manual

UnPacking Instructions:

Carefully unpack the product immediately and check the container to make sure all the parts are in the package and are in good condition.

Claims :

If the box or the contents (products and accessories) appear damaged from shipping, or show signs of mishandling, notify the carrier immediately, and contact Amazon customer support and request them for the new replacement .

Amazon customer support team sure will definitely help you with this.

You may contact Amazon customer support team on the below link:

<https://www.amazon.com/gp/help/customer/contact-us>

If your order is urgent, here are Amazon customer service phone numbers as well:

U.S. and Canada: 1-866-216-1072

If no response from Amazon, you can ask seller customer service directly: **info@oppsk.com**

Disclaimer:

OPPSK believes that the information contained in this manual is accurate in all respects. However, OPPSK assumes no responsibility and specifically disclaims any and all liability to any party for any loss, damage or disruption caused by any errors or omissions in this document, whether such errors or

omissions result from negligence, accident or any other cause. OPPSK reserves the right to revise the content of this document without any obligation to notify any person or company of such revision, however, OPPSK has no obligation to make, and does not commit to make, any such revisions.

Safety Notes:

Please read the following Safety Notes carefully before working with the product. The Notes include important safety information about installation, usage and maintenance.

- Always connect the product to a grounded circuit to avoid the risk of electrocution.
- Always disconnect the product from the power source before cleaning or replacing the fuse.
- Avoid direct eye exposure to the light source while the product is on.
- Make sure the power cord is not crimped or damaged.

- Never disconnect the product from power cord by pulling or tugging on the cord.
- If mounting the product overhead, always secure to a fastening device using a safety cable.
- Make sure there are no flammable materials close to the product when operating.
- Do not touch the product's housing when operating because it may be very hot.
- Always make sure that the voltage of the outlet to which you're connecting the product is within the range stated on the decal or rear panel of the product.
- The product is for indoor use only! (IP20) To prevent risk of fire or shock, do not expose the product to rain or moisture.
- Always install the product in a location with adequate ventilation , at least 20in / 50cm from adjacent surfaces.
- Be sure that no ventilation slots on the product's housing are blocked.

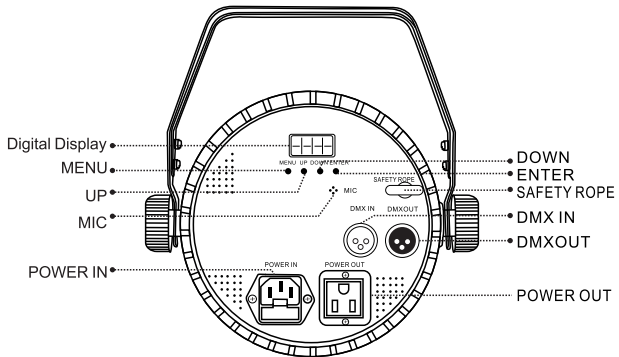
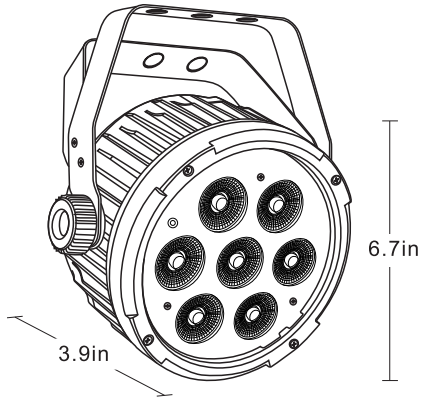
Never carry the product from the power cord

or any moving part. Always use the hanging/mounting bracket.

- The Max ambient temperature (T_a) is 104° F / 40° C. Do not operate the product at higher temperature.
- In the event of a serious operating problem, stop using the product immediately.
- Never try to repair the product. Repairs carried out by unskilled people can lead to damage or malfunction. Please contact the seller customer service.
- To eliminate unnecessary wear and improve its lifespan, during periods of non-use completely disconnect the product from power via breaker or by unplugging it.
- Keep this user manual for future use. If you sell the product to someone else, be sure that they also receive this document.

2. Introduction :

Product Overview & Size



3. Setup :

AC Power:

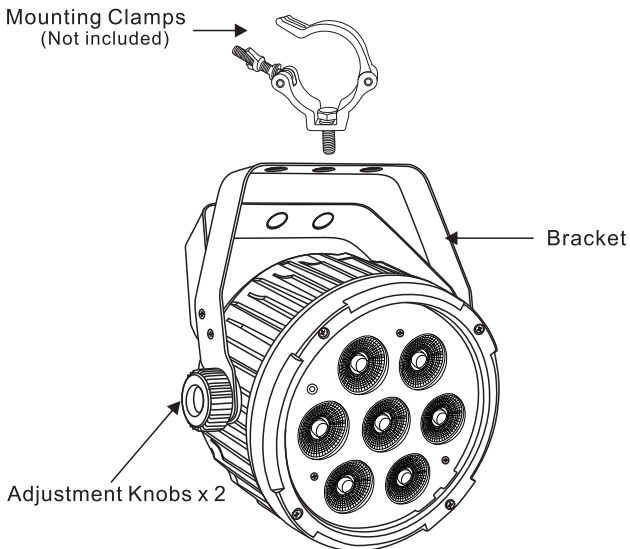
The OPPSK 70W 7LED RGBWA LED Par Lights has an auto-ranging power supply and it can work with an input voltage range of 100 to 240 VAC, 50/60 Hz. To determine the product's power requirements (circuit breaker, power outlet, and wiring), use the current value listed on the label affixed to the product's back panel, or refer to the product's specifications chart. The listed current rating indicates the product's average current draw under normal conditions.

Mounting :

Before mounting the product, read and follow the safety recommendations indicated in the Safety Notes.

Orientation :

The OPPSK 70W 7LED RGBWA LED Par Lights may be mounted in any position; however, make sure adequate ventilation is provided around the product.



4. Operation:

Control Panel Operation:

To access the control panel functions, use the four buttons located underneath the display.

Button	Function
<MENU>	Select an operation mode or back out of the current menu option
<UP>	Scroll up the list of option or select a higher value
<DOWN>	Scroll down the list of option or select a lower value
<ENTER>	Activate a menu option or a selected value

Menu Map

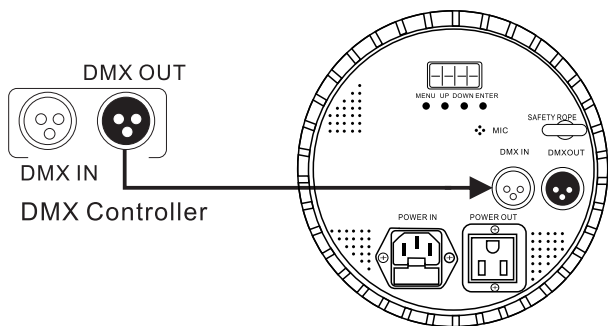
Mode	Display	Description
DMX (9CH)	A001-512	Select the starting address
Master/Slave	A001/SLAv	Do not exceed 64 pcs slave units
Static Colors	Au1-31	Select static colors
Hopping	FF1-99	Select auto program speed(slow to fast)
Fade Changing	CC1-99	Select fade speed (slow to fast)
Pulse	EE1-99	Select auto program speed(slow to fast)
Strobe Mode	F0-255	Strobe speed (slow to fast)

Auto Play	Auto	AutoProgram
Sound Activated Mode	Vol1-9	Up and Down to select the sensitivity (weak to strong)
	bA of/on (Press ENTER again to enter this mode,use UP & DOWN to select of/on)	It will have background color when it shows "bAof";Or no background color when it's "bAon"

DMX Connection:

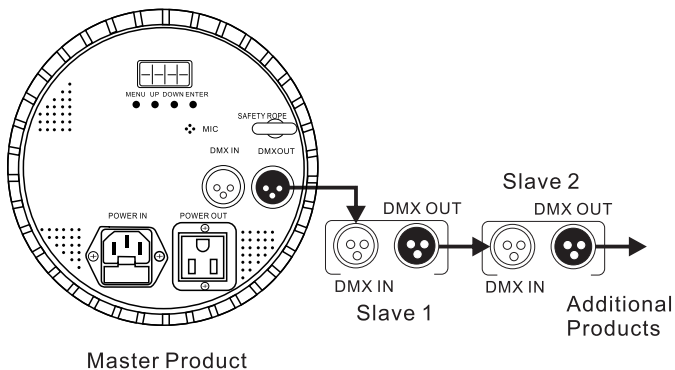
Set the product in DMX mode /A001 to control with a DMX controller.

- Connect the product to a suitable power outlet
- Connect a DMX cable from the DMX output of the DMX controller to the DMX input socket on the product.



Master / Slave Connection

- Set master product in any functions you like
- Set the slave product at "IP.01-IP.64" display, then connect a DMX cable from the DMX output of the master product to the DMX input socket on the slave product.



DMX Channel Modes, Assignments, and Values

9-Channel

Channel	Function	Value	Description
1	Bright Adjustment	0-255	0 to 100%
2	Red	0-255	0 to 100%
3	Green	0-255	0 to 100%
4	Blue	0-255	0 to 100%
5	White	0-255	0 to 100%
6	Amber	0-255	0 to 100%
7	Strobe Mode	0-9	No Function
		10-255	Strobe Speed (slow to fast)
		Remarks:CH1 is must on;CH2/3/4/5/6to select or add colors.	

8	No Function	0-50	
	Hopping Mode	51-100	CH9 to adjust the speed
	Fade Mode	101-150	
	Pulse Mode	151-200	
	Auto Play	201-250	
	Sound Activated Mode	251-255	All Modes Changing
9	Speed Adjustment	0-255	Speed for CH8 (slow to fast)

Note: CH1 is the brightness adjustment for CH2-6.

IR-C Remote Operation



5.Fade or Pulse mode

Icon	Button Function	Display on Panel	Function Description
1	ON/OFF		Press this button to turn on or off the light
2	DMX Mode	A001	Press this button to run DMX or Master/Slave
3	Auto Mode	Auto	Press this button to run auto mode

4	Hopping Mode	FF1-99	Press +/- to adjust hopping speed
5	Fade or Pulse mode	CC1-99 or EE1-99	Press again to Pulse mode, press +/- to adjust speed
6	Strobe Mode	F0-255	Press +/- to adjust strobe rate
7	Sound-Active Mode	Vol1-9	Press +/- to adjust the sensitivity
8	Red	Au1	Press this button for Red
9	Green	Au2	press this button for Green
10	Blue	Au3	Press this button for Blue

11	White	Au4	
12	Amber	Au5	
13	Cyan	Au6	
14	Light Blue	Au7	
15	Grey	Au8	
16	Warm White	Au9	
17	Red	Au10	
18	Rose	Au11	
19	Green	Au12	
20	Blue	Au13	
21	Warm White	Au14	
22	Green	Au15	
23	Cold White	Au16	
24	Blue Green	Au17	

25	Greyish White	Au18	
26	Amber	Au19	
27	Green	Au20	
28	Cold White	Au21	
29	Light Green	Au22	
30	Purple	Au23	
31	Light Green	Au24	
32	Sea Blue	Au25	
33	Cold White	Au26	
34	Blue White	Au27	
35	Warm White	Au28	
36	Grass Green	Au29	
37	Blue White	Au30	
38	White	Au31	

6. TECHNICAL SPECIFICATIONS:

- DMX Channels: 9
- DMX Connectors: 3-pin
- Light Source: (LED): total 70W, 10W x 7LEDs
- Beam Angle: 35
- Input Voltage: 100 to 240 VAC, 50/60 Hz (auto-ranging)
- Power and Current: 70 W, 0.42 A @ 110 V-240V, 50-60 Hz
- Weight: 2.43 lb/1.1kg
- Product Size: 6.7x6.7 x 4.1 in (17 x 17 x 10.5 cm)