

18x18W Outdoor Waterproof

LED Par Light

User Manual



PPSK

1. Before You Begin

What In the Box:

- 1 x 18LEDs Waterproof Par Light
- 2 x Bracket
- 2 x Screw
- 1 x User Manual

Unpacking Instructions:

Carefully unpack the product immediately and check the container to make sure all the parts are in the package and are in good condition.

Caution

There are no user serviceable parts inside the fixture. Do not open the housing or attempt any repairs yourself. In the unlikely situation, your unit may require service, please contact us: **info@oppsk.com**

Disclaimer:

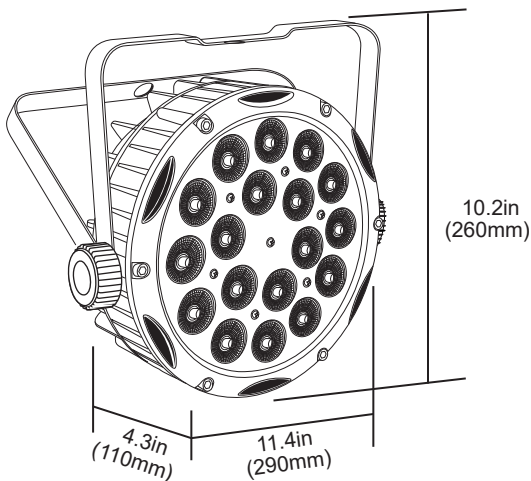
OPPSK believes that the information contained in this manual is accurate in all respects. However, OPPSK assumes no responsibility and specifically disclaims any and all liability to any party for any loss, damage or disruption caused by any errors or omissions in this document, whether such errors or omissions result from negligence, accident or any other cause. OPPSK reserves the right to revise the content of this document without any obligation to notify any person or company of such revision, however, OPPSK has no obligation to make, and does not commit to make, any such revisions.

Safety Introductions:

- Please keep this User Manual for future consultation.
- Unpack and check carefully there is no transportation damage before using the fixture.
- Before operating, ensure that the voltage and frequency of power supply match the power requirements of the fixture.
- It's important to ground the yellow/green conductor to earth in order to avoid electric shock.
- Disconnect main power before servicing and maintenance.
- Use safety chain when fixes this fixture. Don't handle the fixture by taking its head only, but always by taking its base.
- Maximum ambient temperature is $T_a : 104^{\circ}\text{F} / 40^{\circ}\text{C}$. Don't operate it where the temperature is higher than this.
- In the event of serious operating problem, stop using the fixture immediately. Never try to repair the fixture by yourself. Repairs carried out by unskilled people can lead to damage or malfunction. Please contact the nearest authorized technical assistance center. Always use the same type spare parts.
- Do not connect the device to any dimmer pack.
- Do not touch any wire during operation and there might be a hazard of electric shock.
- To prevent or reduce the risk of electrical shock or fire, do not expose the fixture to rain or moisture.
- The housing must be replaced if they are visibly damaged.
- Do not look directly at the LED light while the fixture is on.

2. Introduction:

Product Overview & Size



3. Setup:

AC Power:

The LED Par Light has an auto-ranging power supply and it can work with an input voltage range of 110 to 240 VAC, 50/60 Hz. To determine the product's power requirements (circuit breaker, power outlet, and wiring), use the current value listed on the label affixed to the product's back panel, or refer to the product's specifications chart. The listed current rating indicates the product's average current draw under normal conditions.

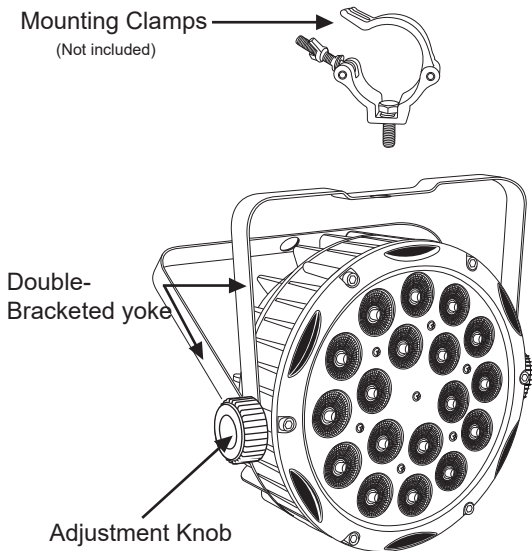
Mounting:

Before mounting the product, read and follow the safety recommendations indicated in the.

Safety Introductions.

Orientation:

The LED Par Light may be mounted in any position; however, make sure adequate ventilation is provided around the product.

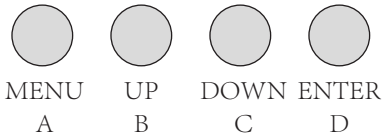


4. Operation:

Control Panel Operation:

To access the control panel functions, use the four buttons located underneath the display.

Button	Function
<MENU>	Select an operation mode or back out of the current menu option
<UP>	Scroll up the list of option or select a higher value
<DOWN>	Scroll down the list of option or select a lower value
<ENTER>	Activate a menu option or a selected value



- A.MWNU**
- B.UP**
- C.DOWN**
- D.ENTER**

System Menu

display mode	function declaration
A001(A001-A512)	address code
CHND (6CH/10CH)	6/10channelmode
CL01 (CL01 CL32)	Static color mixing mode (32 kinds)
CC99 (CC01-CC99)	Jump mode
EE99 (EE01-EE99)	Mutation pattern
FF99 (FF01-FF99)	Gradient mode
ST99 (ST01-ST99)	Confirm FM flash color (32 kinds)
SOU1(SOU1/2/3/4)	Voice control mode SOU1 voice control jump SOU2 voice control mutation SOU3 voice-controlled color-changing stroboscopic Sou4 vice control jmp+mutation+color change strobe
R255 (R000-R255)	R manual dimming
G255 (G000-G255)	G manual dimming
B255 (B000-B255)	B manual dimming
W255 (W000-W255)	W manual dimming
Y255 (Y000-Y255)	Y manual dimming
P255 (P000-P255)	UV manual dimming
T000 (OFF/60-100)	Panel temperature display, preset power reduction setting (factory default 60 degrees)

Remarks:

1. In A001 mode, press the confirmation key to automatically enter the current adjustment mode, the up and down keys to adjust the value, and the confirmation key to adjust the color. After the parameters are adjusted, press the menu key to return, and press the confirmation key to adjust the machine.

2. This version supports RDM function.

DMX Mode :

6CH	Value	Description
1	0-255	Red dimming
2	0-255	Green dimming
3	0-255	Blue dimming
4	0-255	White dimming
5	0-255	Amber dimming
6	0-255	UV dimming

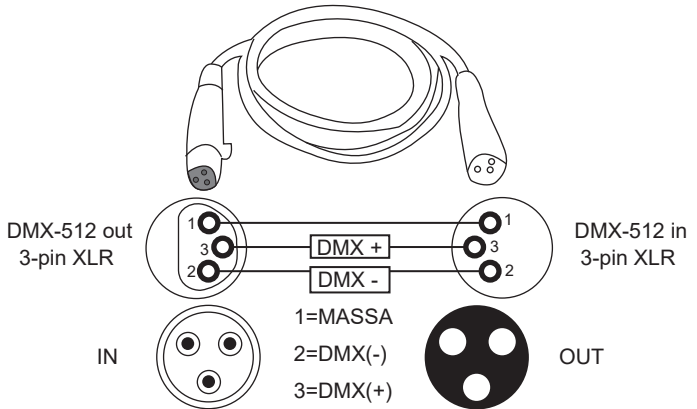
DMX512 10-channel description

10CH	Value	Description
1	0-255	Total dimming
2	0-255	Red dimming
3	0-255	Blue dimming
4	0-255	Green dimming
5	0-255	White dimming
6	0-255	Amber dimming
7	0-255	UV dimming
8	0-10	Lights off
	11-255	Strobe speed(slow fast)
9	0-9	Lights off
	10-50	Color mixing mode
	51-100	Hopping mode
	101-150	Gradient mode
	51-200	Mutation pattern
	21-220	Console jump voice control
	21-240	Console color-changing stroboscopic sound control
	21-255	Console mutation voice control
10	0	Lights off
	1-255	Spe ed (slow to fa st)

DMX Connection:

DMX Signal Connection

3-Pin XLR to 5-Pin XLP Conversion		
Conductor	3-Pin XLR Female (OUT)	5-Pin XLR Male (IN)
Ground/Shield	Pin 1	Pin 1
Data Compliment (-signal)	Pin 2	Pin 2
Data True (-signal)	Pin 3	Pin 3
Not Used		Pin 4-Do Not Used
Not Used		Pin 5-Do Not Used



5. TECHNICAL SPECIFICATIONS:

Power: 18LEDs x 18-Watts

Voltage: AC110-240V, 50/60Hz

LED: 18LEDs x 18W RGBWA+UV 6in1

Color: RGBWA+UV

Beam Angle: 45°

Dimmer: 0-100% Linear Dimming

Operation Mode: Jump, Fade, Strobe, DMX512, Sound, Master-slave

Channel: 6CH/10CH

Size: 11x10x7in

Weight: 8lb