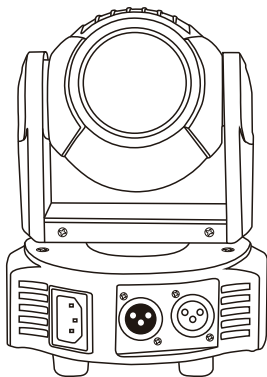
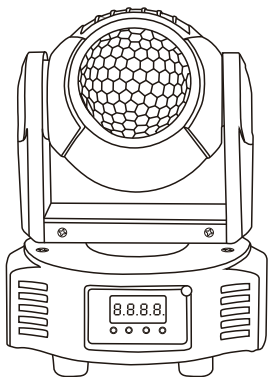


Moving Head DJ Lights

User Manual



 **PPSK**

1. Before You Begin

What In the Box:

- 1 x Moving Head Lights
- 1 x Power Cable
- 1 x Bracket
- 2 x Screw
- 1 x IR Remote Controller
- 1 x User Manual

Unpacking Instructions:

Carefully unpack the product immediately and check the container to make sure all the parts are in the package and are in good condition.

Caution

There are no user serviceable parts inside the fixture. Do not open the housing or attempt any repairs yourself. In the unlikely situation, your unit may require service, please contact us: **info@oppsk.com**

Disclaimer:

LaluceNatz believes that the information contained in this manual is accurate in all respects. However, LaluceNatz assumes no responsibility and specifically disclaims any and all liability to any party for any loss, damage or disruption caused by any errors or omissions in this document, whether such errors or omissions result from negligence, accident or any other cause. LaluceNatz reserves the right to revise the content of this document without any obligation to notify any person or company of such revision, however, LaluceNatz has no obligation to make, and does not commit to make, any such revisions.

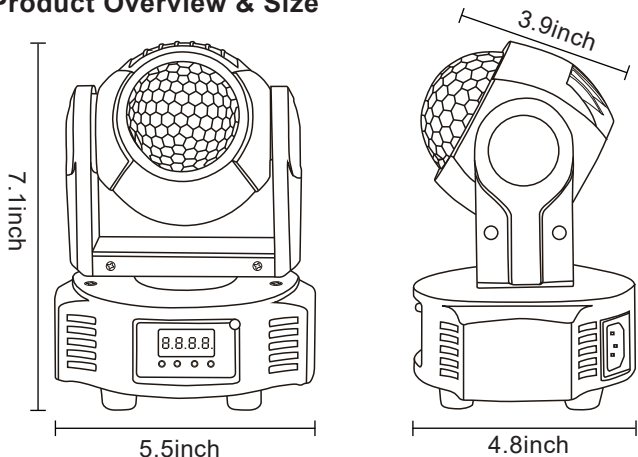
Safety Introductions:

- Please keep this User Manual for future consultation.
- Unpack and check carefully there is no transportation damage before using the fixture.
- Before operating, ensure that the voltage and frequency of power supply match the power requirements of the fixture.
- It's important to ground the yellow/green conductor to earth in order to avoid electric shock.
- Disconnect main power before servicing and maintenance.
- Use safety chain when fixes this fixture. Don't handle the fixture by taking its head only, but always by taking its base.
- Maximum ambient temperature is $T_a : 104^{\circ}\text{F} / 40^{\circ}\text{C}$. Don't operate it where the temperature is higher than this.

- In the event of serious operating problem, stop using the fixture immediately. Never try to repair the fixture by yourself. Repairs carried out by unskilled people can lead to damage or malfunction. Please contact the nearest authorized technical assistance center. Always use the same type spare parts.
- Do not connect the device to any dimmer pack.
- Do not touch any wire during operation and there might be a hazard of electric shock.
- To prevent or reduce the risk of electrical shock or fire, do not expose the fixture to rain or moisture.
- The housing must be replaced if they are visibly damaged.
- Do not look directly at the LED light beam while the fixture is on.

2.Introduction:

Product Overview & Size



3.Setup:

AC Power:

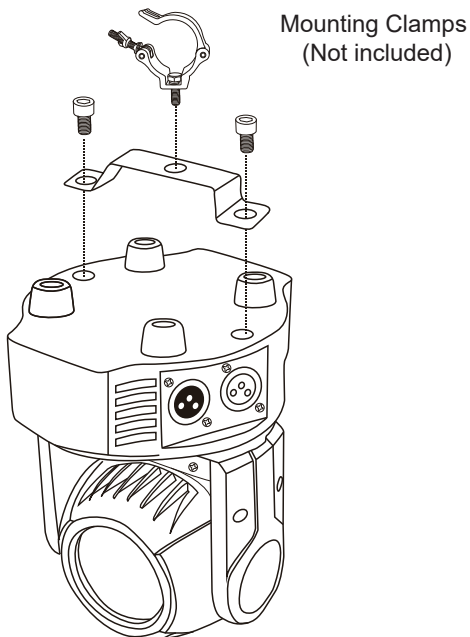
The Moving Head DJ Light has an auto-ranging power supply and it can work with an input voltage range of 110 to 240 VAC, 50/60 Hz. To determine the product's power requirements (circuit breaker, power outlet, and wiring), use the current value listed on the label affixed to the product's back panel, or refer to the product's specifications chart. The listed current rating indicates the product's average current draw under normal conditions.

Mounting:

Before mounting the product, read and follow the safety recommendations indicated in the Safety Introductions.

Orientation:

The Moving Head DJ Light may be mounted in any position; however, make sure adequate ventilation is provided around the product.



4.Operation:

Control Panel Operation:

To access the control panel functions, use the four buttons located underneath the display.

Button	Function
<MENU>	Select an operation mode or back out of the current menu option
<UP>	Scroll up the list of option or select a higher value
<DOWN>	Scroll down the list of option or select a lower value
<ENTER>	Activate a menu option or a selected value

System Menu

Menu	Options	Functions
A001	A001-A512	DMX Address Setting
Chnd	14CH	14 Channel Mode
	18CH	18 Channel Mode
Slnd	nast	Master
	d512	Slave

Shnd	Sh 1-4	Sound Control Mode 1-4
Auto	Aut 1-4	Auto Mode 1-4
	Sp 1-9	Auto Speed 1-9
Sens	0-99	Sound Sensitivity 0-99
Led	On	LED Display On
	Off	LED Display Off
dISP	dISP	LED Display Flip
Pan	No	X Motor Forward Rotation
	Yes	X Motor Reversal
Tilt	No	Y Motor Forward Rotation
	Yes	Y Motor Reversal
Ver	V10	Current Software Version
Rset	Res	Reset

DMX Mode 1: 14CH

CH1	X-axis Position	0-255	0-100%
CH2	Y-axis Position	0-255	0-100%
CH3	Motor Speed	0-255	0-100%
CH4	Master Dimming	0-255	0-100%
CH5	Light Board 1 Red Dimming	0-255	0-100%
CH6	Light Board 1 Green Dimming	0-255	0-100%
CH7	Light Board 1 Blue Dimming	0-255	0-100%
CH8	Light Board 1 White Dimming	0-255	0-100%
CH9	Light Board 2 Red Dimming	0-255	0-100%
CH10	Light Board 2 Green Dimming	0-255	0-100%
CH11	Light Board 2 Blue Dimming	0-255	0-100%
CH12	Light Board 2 White Dimming	0-255	0-100%
CH13	Strobe	0-9	No Function
		10-139	Strobe 0-100%
		140-255	Random Strobe Speed
CH14	Master Mode Selection	0-9	Manual Dimming
		10-199	Auto Mode
		200-209	Wait for 2S to reset
		210-239	Manual Dimming
		240-255	Sound Mode

DMX Mode 2: 18CH

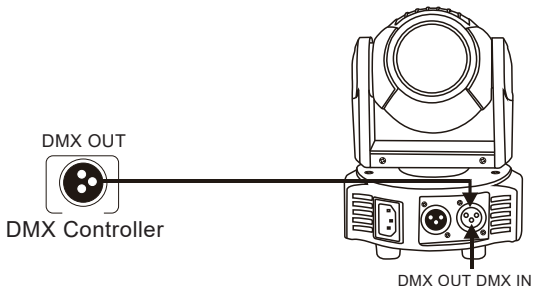
CH1	X-axis Position	0-255	0-100%
CH2	Fine adjustment of X-axis position	0-255	0-100%
CH3	Y-axis Position	0-255	0-100%
CH4	Fine adjustment of Y-axis position	0-255	0-100%
CH5	Motor Speed	0-255	0-100%
CH6	Master Dimming	0-255	0-100%
CH7	Light Board 1 Red Dimming	0-255	0-100%
CH8	Light Board 1 Green Dimming	0-255	0-100%
CH9	Light Board 1 Blue Dimming	0-255	0-100%
CH10	Light Board 1 White Dimming	0-255	0-100%
CH11	Light Board 2 Red Dimming	0-255	0-100%
CH12	Light Board 2 Green Dimming	0-255	0-100%
CH13	Light Board 2 Blue Dimming	0-255	0-100%
CH14	Light Board 2 White Dimming	0-255	0-100%
CH15	Color temperature selection / manual dimming (channel 16 0-14 valid)	0-35	Manual Dimming
		36-255	10 color temperature adjustment
CH16	Manual dimming / color selection / color temperature selection	0-14	Manual Dimming or Color Temperature Selection
		15-255	Color Selection

CH17	Strobe	0-9	No Function
		10-139	Strobe 0-100%
		140-255	Random Strobe Speed
CH18	Master Mode Selection	0-9	Manual Dimming/Color Selection/Color Temperature Selection
		10-199	Auto Mode
		200-209	Wait for 2S to reset
		210-239	Manual Dimming/Color Selection/Color Temperature Selection
		240-255	Sound Mode

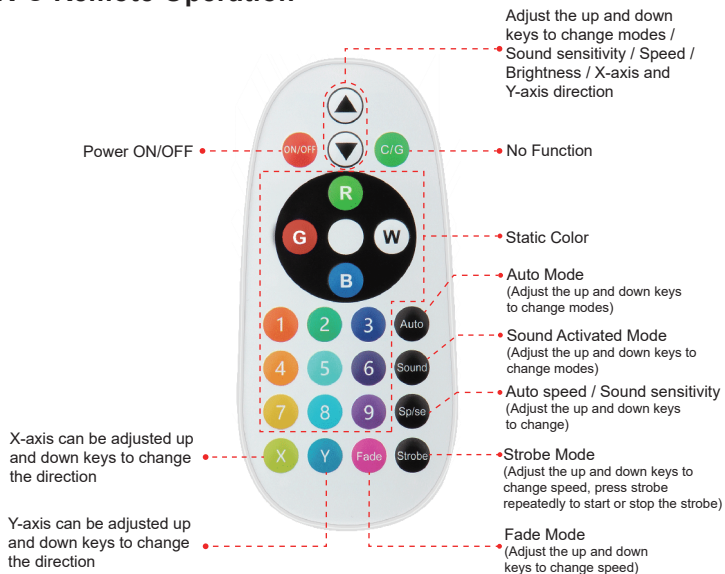
DMX Connection:

Set the product in DMX mode / A001 to control with a DMX controller.

- Connect the product to a suitable power outlet
- Connect a DMX cable from the DMX output of the DMX controller to the DMX input socket on the product.



IR-C Remote Operation



Note: 1-9 static colors can not be adjusted by up and down keys to adjust the brightness

5.TECHNICAL SPECIFICATIONS:

- Light Source: (LED): 40W
- Voltage: AC110-240V, 50/60Hz
- LED BALL: 1pcs*10W 4in1 RGBW leds
- LED BEAM: 1pcs*10W 4in1 RGBW leds
- Pan/Tilt movement: X-axis: 540°, Y-axis: 270°
- LED BALL Angle: 2°
- Beam Angle: 4°
- Dimmer: 0-100% linear dimming
- Operation Modes: Auto, DMX512, Sound, Master/Slave
- Channel: 14/18CH
- Package Size: 8.5x6.1x7.1inch / 21.5x15.6x18cm
- Weight:1.55 kg / 3.42 lbs