



BLUE SKY

OUTDOOR LIVING

OWNER'S MANUAL
**PATIO
PELLET FIRE PIT**

PFP2416

Blue Sky can provide elevated ambience, quality and safety to your outdoor living space. Our products are designed to create a practical space to bring people together. Whether you're using Blue Sky products to roast s'mores in your backyard, enjoy a beach bonfire, assist at your tailgate or accompany you on a camping trip, you can rely on their durability and performance. Thank you for your purchase of this Blue Sky pellet fire pit.

CONNECT WITH US

www.blueskyoutdoorliving.com



@blueskyoutdoorliving

Fill in the following information and retain this manual for future reference:

MODEL(S): _____

DATE OF PURCHASE: _____

PLACE OF PURCHASE: _____

RECEIPT NO: _____



PFP2216

Patio Pellet Fire Pit

23.9" Dia x 16" H

60.8 cm Dia x 40.6 cm H

FOR YOUR SAFETY

PLEASE READ AND UNDERSTAND ALL SAFETY RULES BEFORE ASSEMBLING AND USING THIS PELLET FIRE PIT. FAILURE TO FOLLOW THESE INSTRUCTIONS COULD RESULT IN A HAZARDOUS FIRE, CAUSING PROPERTY DAMAGE OR PHYSICAL INJURY.

RULES FOR SAFE OPERATION

CAUTION: FOR OUTDOOR USE ONLY. DO NOT USE INDOORS.

- For adult use only – do not allow children to use the fire pit. Keep children and pets away from the fire pit while it is in use.
- Always use this fire pit on a hard, level, non-combustible surface. Do not use directly on a wooden deck.
- Do not use under a patio roof, low hanging branches, trellis or overhangs of any kind including covered porches.
- Do not use in windy conditions.
- Do not leave fire unattended at any time.
- This fire pit is designed for use with wood pellets only. It will burn hotter, more completely, and create less smoke and ash. Wood pellets not included.
- Do not burn charcoal briquettes, lump charcoal, manufactured logs, driftwood, trash, leaves, paper, cardboard, plywood or painted, stained or pressure-treated wood.
- Do not use flammable liquids such as gasoline, alcohol, diesel fuel, kerosene or charcoal lighter to light or relight fires.
- Care should be taken to make sure all combustible material is far enough away from the fire pit to not ignite.

- Always use in accordance with all applicable local and state fire codes.
- Exercise the same precautions as you would with any open fire.
- Do not wear flammable or loose clothing when tending an open fire.
- All surfaces of this fire pit are hot when in operation. To avoid burns and injury, do NOT touch this fire pit until the fire is out and has completely cooled.
- Assure fire is completely extinguished before leaving fire pit.
- This fire pit should be inspected and cleaned regularly after each use.
- Any modifications to this appliance may be dangerous and are not permitted.

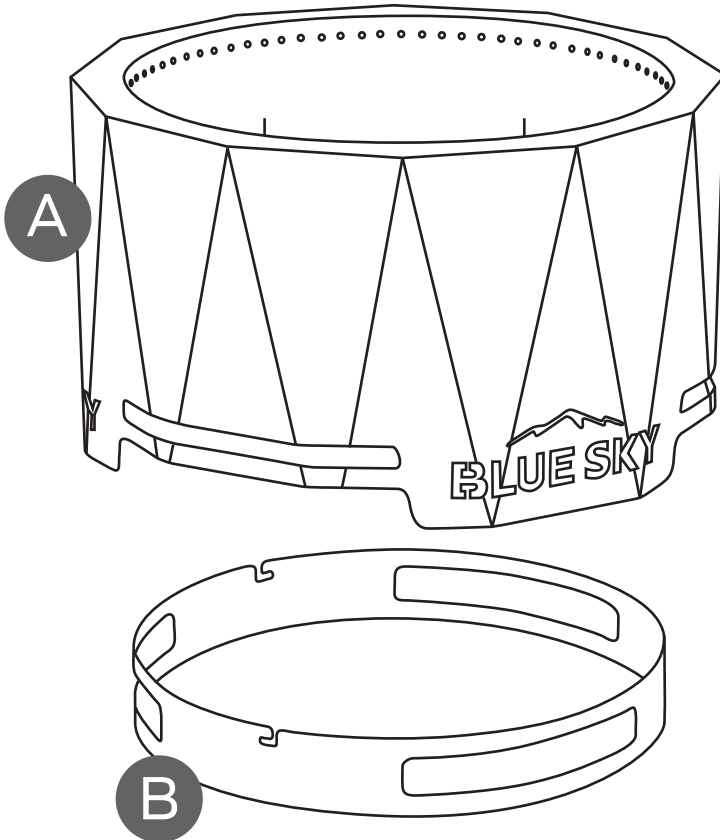
HELPFUL HINTS

- Do not attempt to move the fire pit once the fire is started.
- Do not place the fire pit in an area where it could be easily tripped over.
- Reseal your wood pellet bag to ensure the pellets stay dry. Moisture will affect burn performance.

PARTS LIST

UNPACK PARTS, MAKING SURE ALL PIECES ARE PRESENT BEFORE ATTEMPTING TO ASSEMBLE.

REF	QTY	DESCRIPTION
A	1	Pellet Holder
B	1	Ash Tray



ASSEMBLY

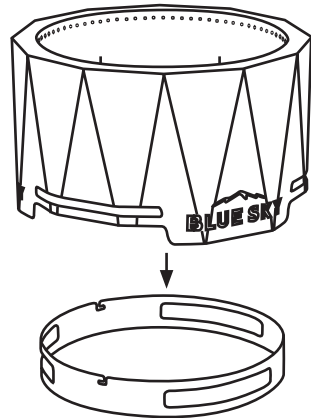
NO TOOLS REQUIRED!

STEP 1

Make sure the pellet fire pit is a safe distance from all combustibile materials. Using a rake, level the area if necessary and remove any dry grass or overhanging branches.

STEP 2

Line up the Pellet Holder [A] with the slots on the Ash Tray [B]. Press down and slightly twist to lock into place within the grooves.



STEP 3

Fill the Pellet Holder approximately 2" (5 cm) deep with wood pellets. As the fire dies down, use a small metal scoop to slowly replenish the wood pellets.

Note: If you refill with too many wood pellets too quickly, there will be excessive smoke until those pellets properly ignite.

When finished with your fire, just let the flames burn out.



BLUE SKY

OUTDOOR LIVING

Manufactured by:

Quality Craft

Surrey, BC, Canada V3S 5N4

service@blueskyoutdoorliving.com

1-800-459-4409

(Monday to Friday, 8:00 am–4:30 pm, CST)

Made in China

BKOLPAPFP-02/19