

Notes:

- The Self Tapping Screws have an organic coating to prevent galvanic corrosion. No other fastener should be used.
- The Jamb Anchor is coated to prevent galvanic corrosion from occurring between the jamb tube and the Jamb Anchor.
- The Jamb Anchor coating is designed to accept common commercial paints.
- Wear safety glasses during installation.
- Prior to installation of the Jamb Anchor Kit, the door system should be checked to make sure all of the other components are in proper working condition. Failure of other components of the system, for example too much play in the hinges or pivots, could allow the door to interfere with the Jamb Anchor .



Jamb Anchor Installation Instructions



Pictures of Finished Installations



Rusted Steel Door Frames?

Check out the **Jamb Patch** at www.doorinnovation.com



For additional information or to view our other innovative products visit us at:

www.doorinnovation.com

Revised 16Feb19

Made In The USA

Center Jamb Anchor Kit Contents



- 2 Jamb Anchor Brackets
- 11 1" Self Taping Screws
- 5 1-1/4" SS Phillips Head Screws
- 5 Plastic Concrete Anchors
- 1 Phillips Head Bit

Side Jamb Anchor Kit Contents



- 2 Jamb Anchor Brackets
- 11 1" Self Taping Screws
- 5 1-1/4" SS Phillips Head Screws
- 5 Plastic Concrete Anchors
- 1 Phillips Head Bit



- 1" Self Taping Screw



- 1 1/4" SS Phillips Head Screw



- Plastic Concrete Anchor



- Phillips Head Bit

Tools needed for installation:

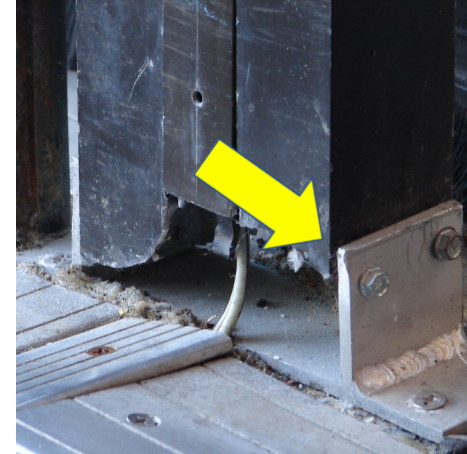
- Drill with masonry drill bit
- Wire Brush
- Power screwdriver
- Shop Vacuum
- Carpenters level
- Pliers (for 1-1/2" jamb)

Step 1

Remove any fasteners or brackets from the area of the jamb tube where the Jamb Anchor Kit will be installed.

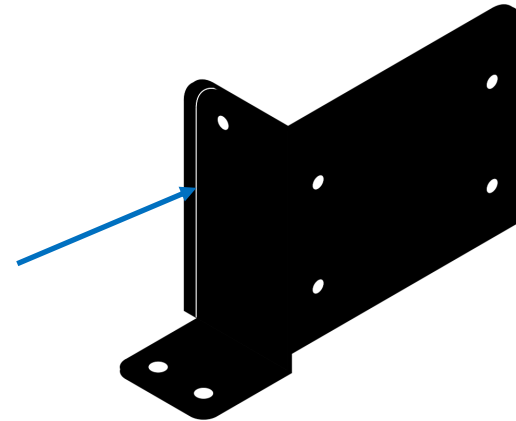
Step 2

Clean any dirt or corrosion off of the jamb tube that may interfere with the Jamb Anchor. You can



Step 3

Determine if the jamb tube is 1 1/2" or 2" wide. If its 1 1/2" wide, snap off the extension tab.

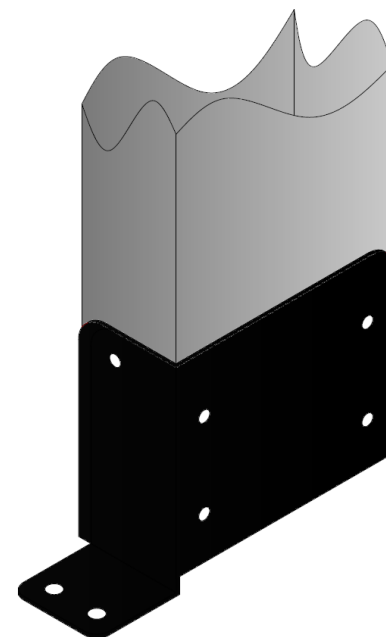


Step 4

Place the first Jamb Anchor bracket in position on the jamb tube so both the face side and return side of the bracket are in firm contact with the jamb tube.

Tip: Use a clamp to hold the Jamb Anchor in place during installation.

Note: On a center jamb tube repair where you wrap the tube with 2 Jamb Anchors, install the first Jamb Anchor completely before installing the second.



Step 5

Using the carpenter's level, insure the jamb tube is plumb in all directions.

Step 6

Make sure the Jamb Anchor Bracket foot is in contact with the floor and, using the holes in the Jamb Anchor, mark where two holes need to be drilled into the floor.

Step 7

Remove the bracket from the jamb tube and drill the two holes for the concrete anchors.

Step 8

Using the shop vacuum, remove the dust from the holes and insert the concrete anchors.

Step 9

Place the Jamb Anchor into position, lining up the Jamb Anchor with the concrete anchors. Insert the 1-1/4" Philips Head Screws and secure the Jamb Anchor to the concrete.

Step 10

Pull the jamb tube tight against the Jamb Anchor and use the self tapping screws to secure the Jamb Anchor to the jamb tube.

Tip: Use a clamp to hold the jamb tube tight to the Jamb Anchor while installing the screws.

Step 11

Repeat steps 3 through 10 with the second Jamb Anchor if you are wrapping a center jamb tube.

