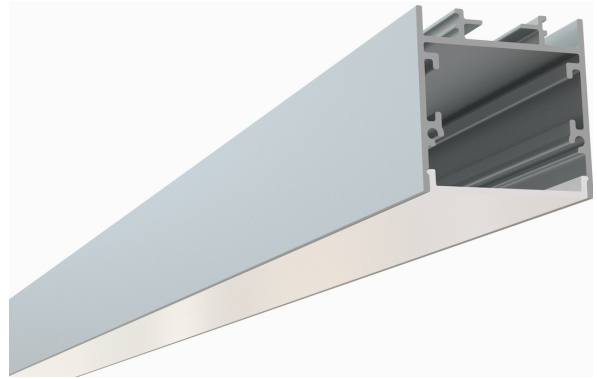


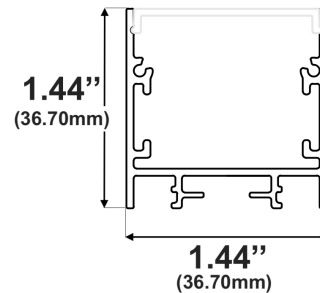
Surface / Pendant LED Channel - 435

The **435ASL** is a LED Channel compatible with **LED Strips up-to 1.07" (27mm) wide**.

It can be used as a **Surface Mount Fixture** or can be used with Suspension Kit to build a **Pendant Fixture**.



Type:.....**LED Channel**
Material:...**Aluminum 6063-T5**
Surface:.....**Clear Anodized**
Height:.....**36.70mm / 1.44"**
Width:.....**36.70mm / 1.44"**



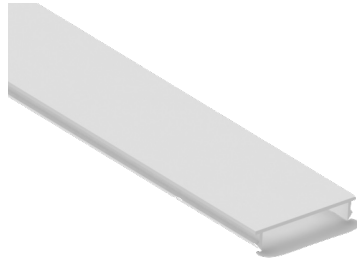
Length Availability

4ft (Actual Size 47") / 1.20m
8ft (Actual Size 94") / 2.40m
10ft (Actual Size 118") / 3.00m

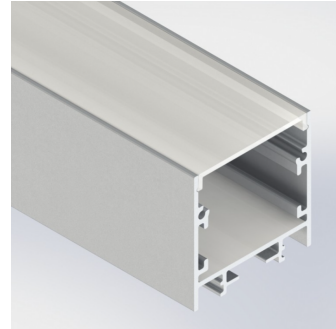


Accessories

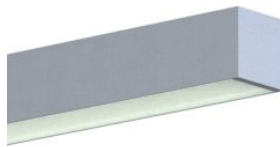
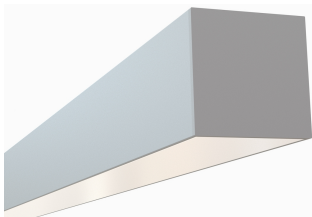
Diffuser Cover Lens



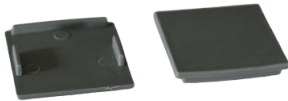
Frosted Diffuser
D32



End Caps



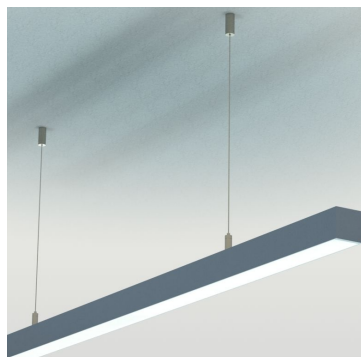
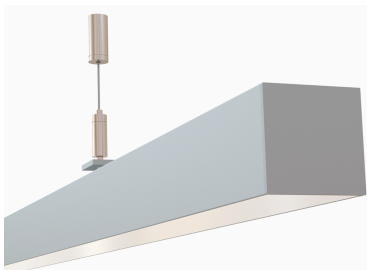
435 Metal End Cap



435 Plastic End Cap



Mounting



Suspension Kit
(Includes 2 steel wires of
1.5m/4.92ft and
connection parts)