



INSTALLATION GUIDE: AWE EXHAUST SUITE FOR THE HONDA FL5 CIVIC TYPE R

For up-to-date fitment information, please visit the product page on [AWE-Tuning.com](https://www.awe-tuning.com).

THIS GUIDE IS INTENDED FOR THE FOLLOWING PART NUMBERS:

- 3020-52287 AWE Track Edition Exhaust for FL5 Civic Type R - Triple Chrome Silver Tips
- 3020-53287 AWE Track Edition Exhaust for FL5 Civic Type R - Triple Diamond Black Tips
- 3015-52287 AWE Touring Edition Exhaust for FL5 Civic Type R - Triple Chrome Silver Tips
- 3015-53287 AWE Touring Edition Exhaust for FL5 Civic Type R - Triple Diamond Black Tips
- 3815-11287 AWE Track-to-Touring Conversion Kit for FL5 Civic Type R
- 3820-11287 AWE Touring-to-Track Conversion Kit for FL5 Civic Type R

Welcome to the AWE family, and congratulations on your purchase of the AWE Exhaust System for the Honda FL5 Civic Type R.

Exquisite build quality and craftsmanship, coupled with industry leading performance, distinguish this exhaust system from all others.

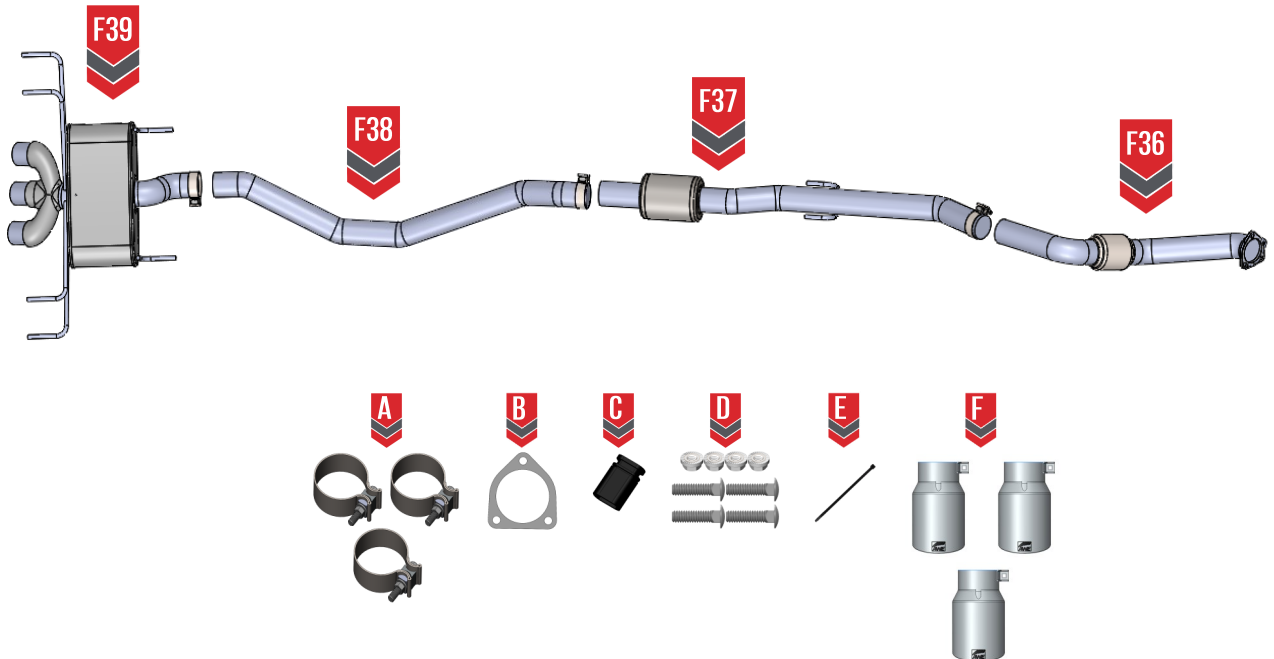
*For up to the minute fitment information, be sure to visit the AWE website. As always, AWE Performance Specialists are standing by for any questions, [right here](#).

PARTS LIST (TOURING SYSTEMS)



Inspect **ALL** parts prior to disassembly of vehicle; If damaged or **MISSING**, please contact the place of purchase immediately.

Symbol	Part Number	Description	QTY
	F36	Honda Civic Type R FL5 Front Pipe	1
	F37	Honda Civic Type R FL5 Mid Pipe	1
	F38	Honda Civic Type R FL5 Mid Section	1
	F39	Honda Civic Type R FL5 Touring Section	1
A >>	180300	AWE 3.0" Band Clamp, Stainless	3
B >>	910001	3 Bolt DP Gasket	1
C >>	1310-11042	FL5 CTR Valve Plug	1
D >>	3910-41010	Hardware Kit for Integrated Clamp Style Exhaust Tips	1
E >>	7130K59	7.5 Inch Cable Tie (Medium)	1
F >>	180014	4.50" OD x 3.00" ID, Slash Cut, Chrome Silver Integrated Clamp Tip	3
	180015	4.50" OD x 3.00" ID, Slash Cut, Diamond Black Integrated Clamp Tip	3

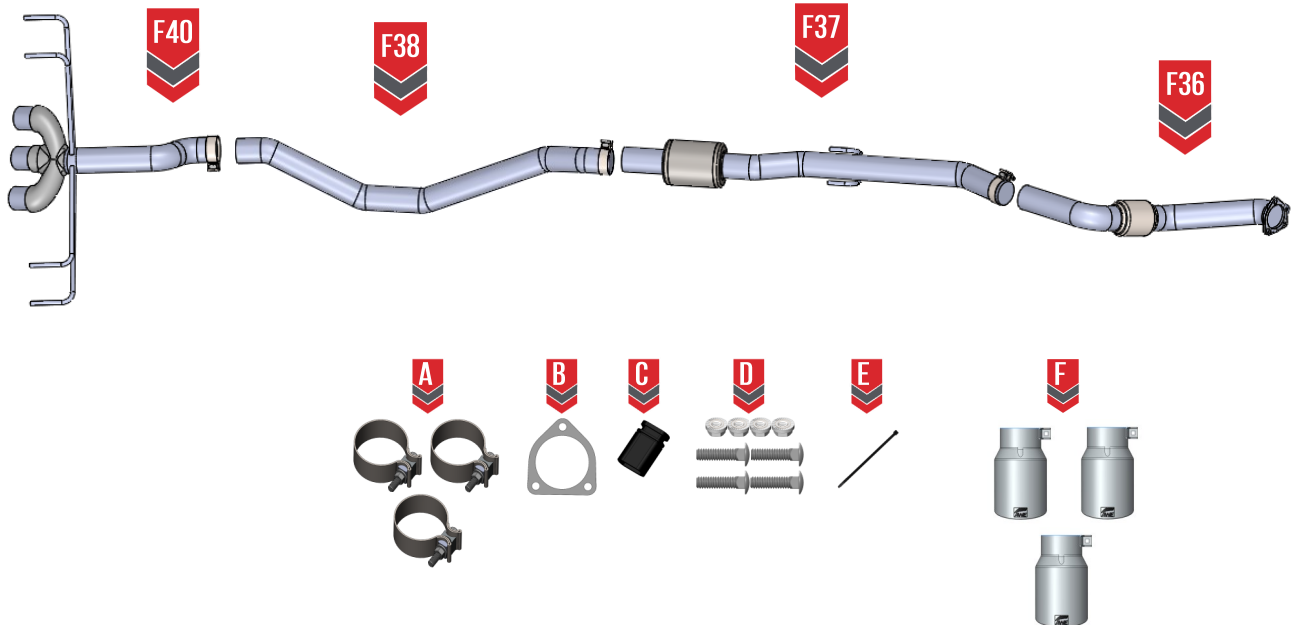


PARTS LIST (TRACK SYSTEMS)



Inspect **ALL** parts prior to disassembly of vehicle; If damaged or **MISSING**, please contact the place of purchase immediately.

Symbol	Part Number	Description	QTY
	F36	Honda Civic Type R FL5 Front Pipe	1
	F37	Honda Civic Type R FL5 Mid Pipe	1
	F38	Honda Civic Type R FL5 Mid Section	1
	F40	Honda Civic Type R FL5 Track Section	1
A >>	180300	AWE 3.0" Band Clamp, Stainless	3
B >>	910001	3 Bolt DP Gasket	1
C >>	1310-11042	FL5 CTR Valve Plug	1
D >>	3910-41010	Hardware Kit for Integrated Clamp Style Exhaust Tips	1
E >>	7130K59	7.5 Inch Cable Tie (Medium)	1
F >>	180014	4.50" OD x 3.00" ID, Slash Cut, Chrome Silver Integrated Clamp Tip	3
	180015	4.50" OD x 3.00" ID, Slash Cut, Diamond Black Integrated Clamp Tip	3





NOTE: Always refer to the manufacturer's service manual for precise torque specifications on all OEM fasteners.



CAUTION: The exhaust may be **VERY HOT** — allow adequate time for the system to cool down before disassembly. Severe burns and injury will occur if skin comes into contact with a hot exhaust system.

STEP 1

Start by removing the fasteners on the outer edges of the OE rear shield, as shown at (A) in **Figure 1**.



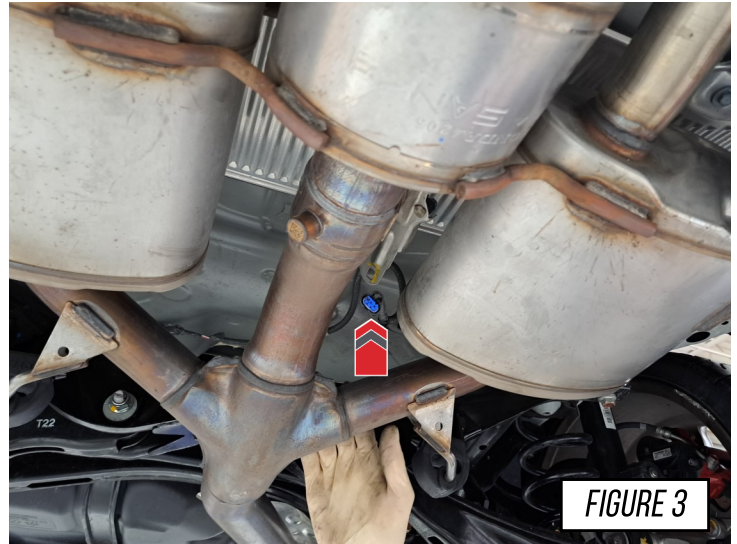
STEP 2

Completely remove the OE rear shield by working from the outside in removing the remaining fasteners, as shown in **Figure 2**.



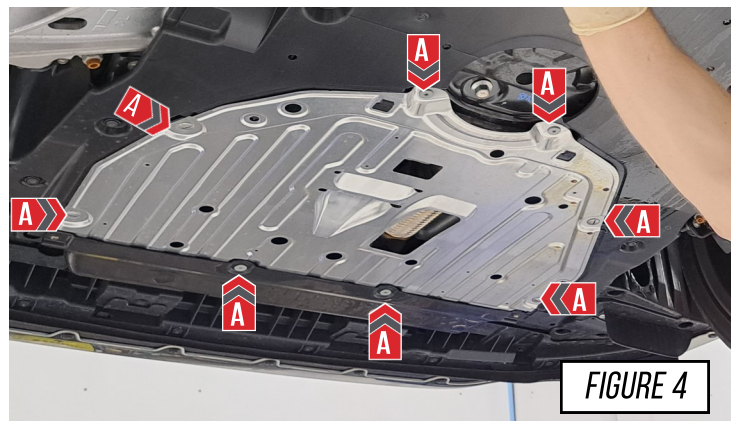
STEP 3

Unplug the OE exhaust valve, shown at (A) shown in **Figure 3**.



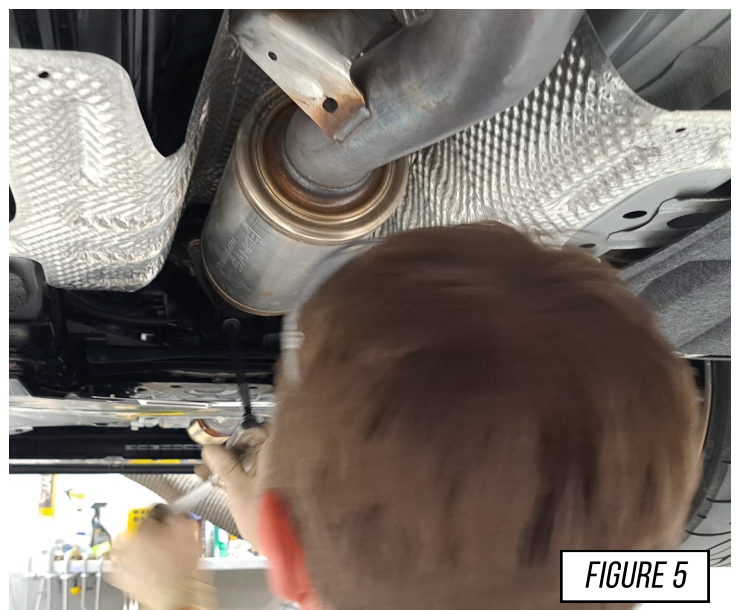
STEP 4

Remove the fasteners shown at (A) in **Figure 4**. With the fasteners removed, remove the OE heat shield to allow access to the OE front pipe.



STEP 5

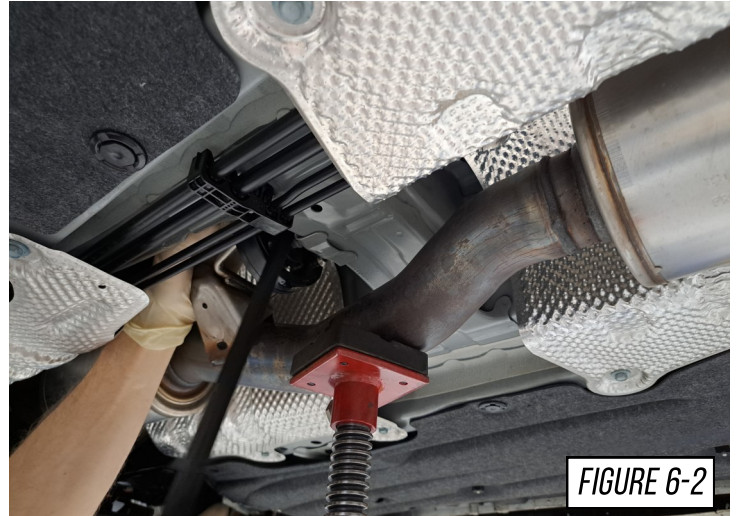
Remove the three nuts holding the OE midpipe to the OE front pipe, as shown in **Figure 5**.



STEP 6

Place a pole jack under the front of the midpipe, as shown in **Figure 6-1**.

With a pole jack in place, remove the OE hanger from the hanger bar on the vehicle, as shown in **Figure 6-2**. It is easiest to push the OE rubber hanger back onto to midpipe hanger bars .



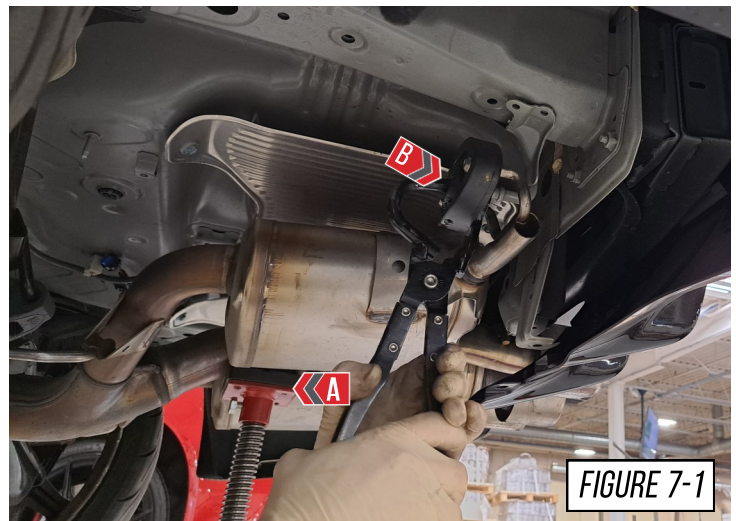
STEP 7

Place a second pole jack under the OE rear section of the exhaust, as shown at **(A)** in **Figure 7-1**.

Remove the OE hangers from the hanger bars on both sides, as shown at **(B)** in **Figure 7-1**.

At this point the exhaust is free from the vehicle and can be removed.

Note: Notice that the OE rubber hangers have text callouts to show which side faces towards the underside of the vehicle, as seen in **Figure 7-2**.



STEP 8

Now gather the provided valve plug and plug it into the OE valve motor connection, as shown at (B), in **Figure 8**.

Use a provided cable tie to secure the OE exhaust valve wire out of the way, as shown at (A) in **Figure 8**.

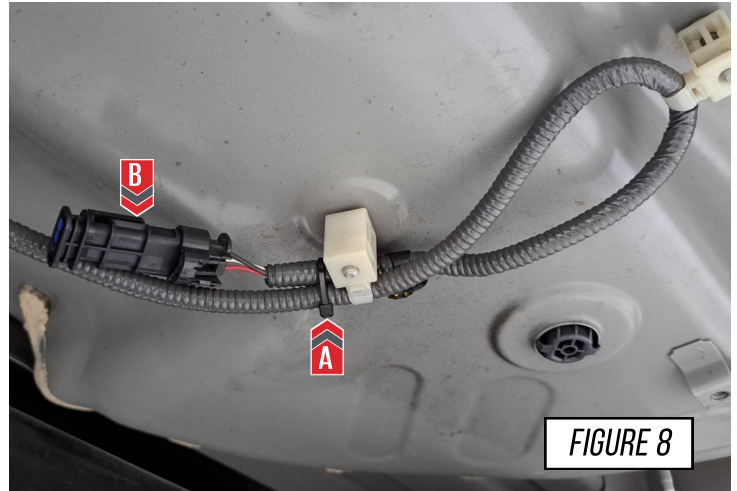


FIGURE 8

STEP 9

Remove the three nuts on the OE front pipe, as shown in **Figure 9**.

Note: The hardware will be reused.

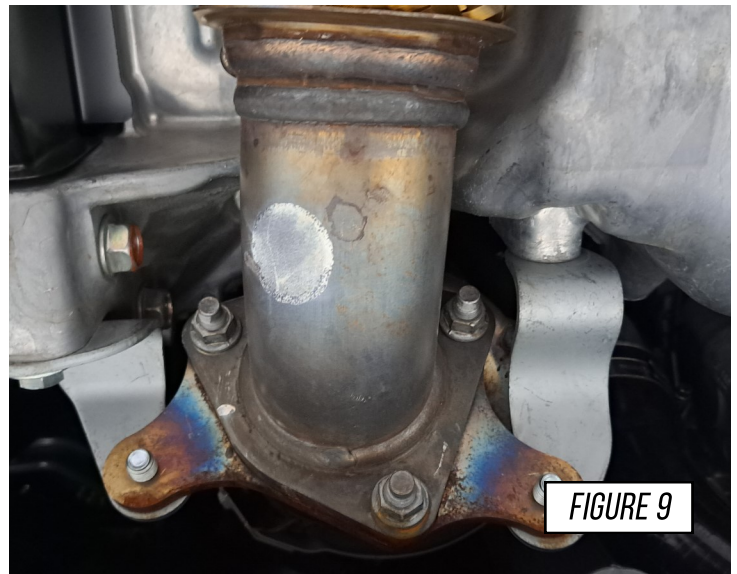


FIGURE 9

STEP 10

Remove the hanger bar from the rubber hanger on the OE frontpipe, as shown in **Figure 10-1**.

With the hanger removed, you can now fully remove the OE frontpipe, as shown in **Figure 10-2**.

Note: The front rubber hanger will not be used with your AWE exhaust system.

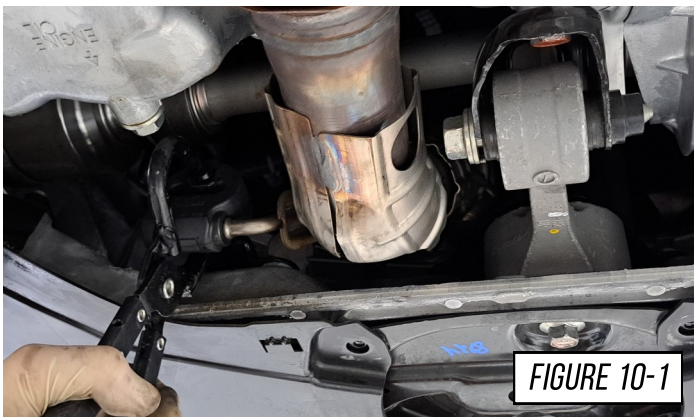


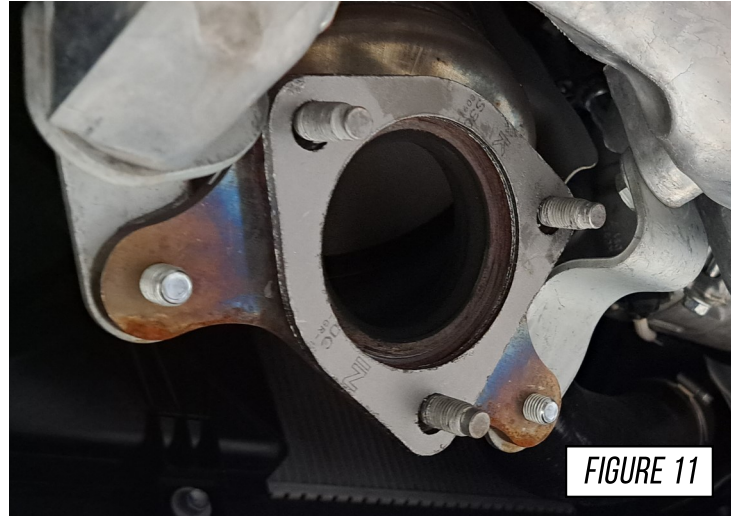
FIGURE 10-1



FIGURE 10-2

STEP 11

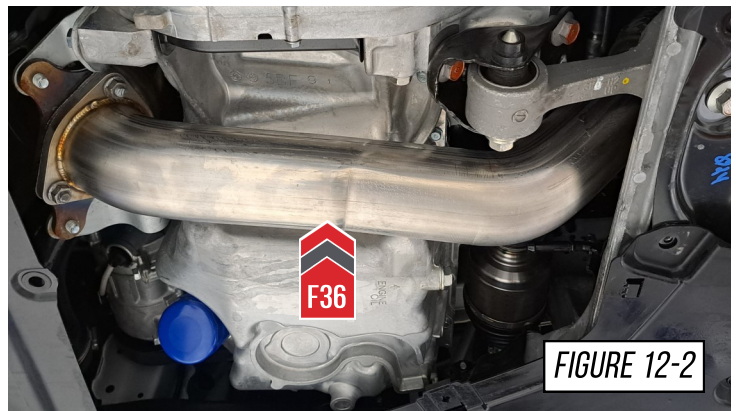
Install the provided exhaust gasket onto the OE catalytic converter outlet section, as shown in **Figure 11**.



STEP 12

Install your AWE front pipe (**F36**), first by feeding the front pipe into position over the heat shield, as shown in **Figure 12-1**.

Next slide the AWE frontpipe flange onto the OE catalytic converter and reuse the OE hardware to fully tighten down the flange, as shown in **Figure 12-2**.



STEP 13

With your AWE front pipe (**F36**) installed, take a moment to verify that it sits centered above the heat shield as shown in **Figure 13**.

The tube being centered will help the remainder of the installation to continue smoothly.

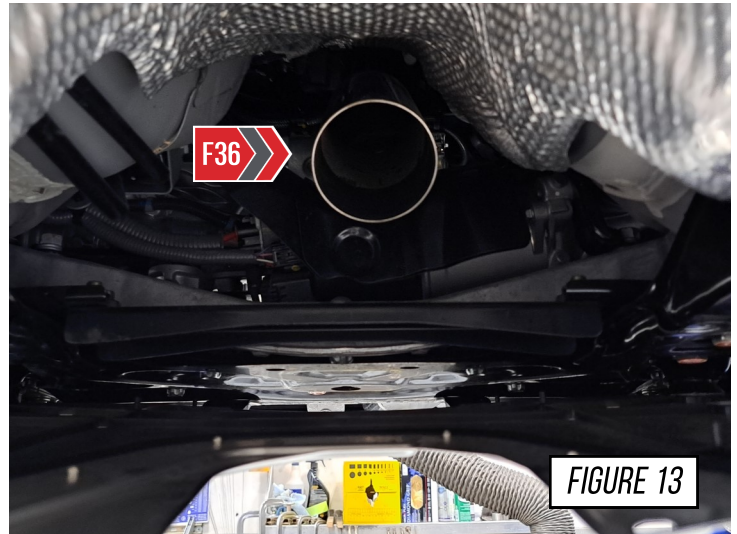


FIGURE 13

STEP 14

It is crucial to install each section and exhaust band clamps correctly to prevent loose joints, exhaust leaks and rattles.

Arrow A shows the expanded pipe and the preinstalled exhaust clamp being brought up to the corresponding pipe.

Arrow B shows the overlapping pipe installed correctly over the corresponding pipe.

Arrow C shows the exhaust band clamp being brought to the edge of the expanded pipe.



NOTES:

- **Do not** fully torque any exhaust clamp until the entire exhaust has been installed and adjusted.
- Torque specification is a **minimum** of 60 ft/lbs

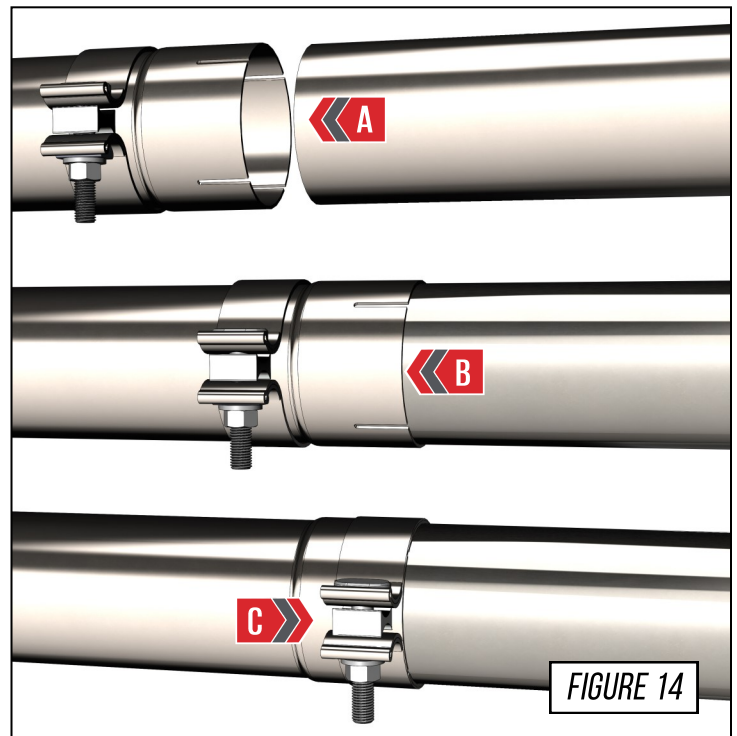
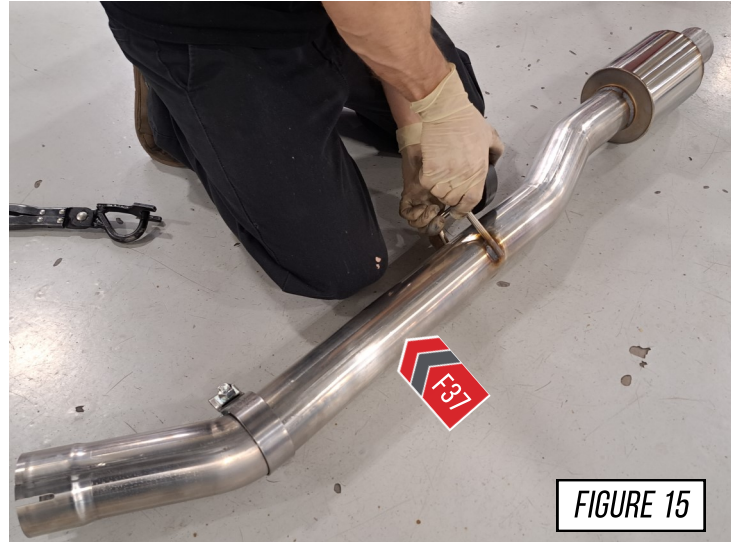


FIGURE 14

STEP 15

Reinstall the OE rubber midpipe hanger onto your AWE midpipe section (F37), as shown in **Figure 15**.

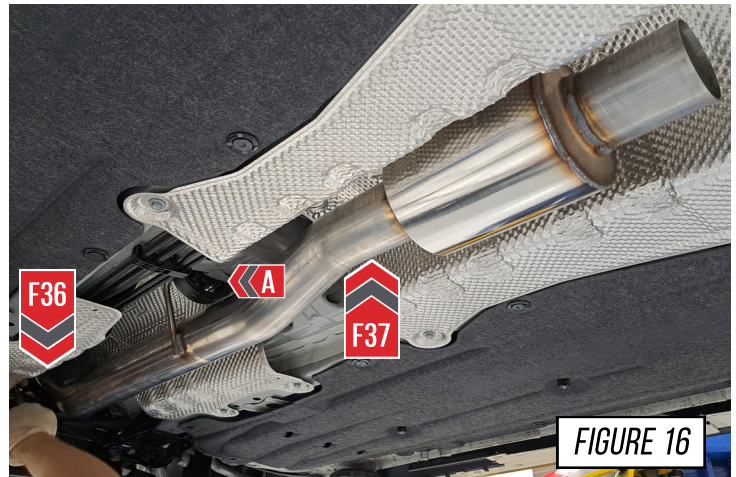
Note: Make sure the hanger is installed correctly with the word “UP” oriented right side up.



STEP 16

Install your AWE resonator (F37), as shown in **Figure 16**. Do this by first sliding a provided clamp over the expanded end of the tube.

Next fully bottom the resonator section onto your AWE front pipe (F36), then slide the OE rubber hanger onto the OE hanger bar, as shown at (A) in **Figure 16**.



STEP 17

Install your AWE mid section (**F38**) by sliding a provided clamp over the expanded end of your AWE mid section (**F38**), then bottom out the slip fit on to your AWE midpipe (**F37**), as shown in **Figure 17**.

Rotate the tube so it sits centered in the exhaust cavity.

Snug the clamp on the slip fit, but do not fully tighten at this time.



STEP 18



STEP 18 IS FOR TRACK SYSTEMS ONLY



Install your AWE track rear section (**F40**), as shown in **Figure 18**.

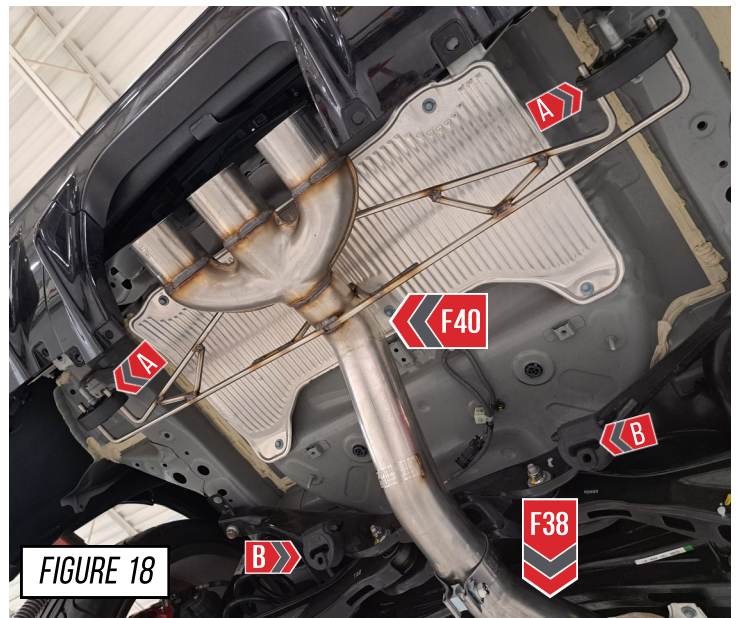
Start by reinstalling the OE rubber hangers on to the OE hanger bar. Then slide the hanger bars on your AWE track section (**F40**) into the OE hangers, shown at **(A)**.

Next slide a provided clamp over the expanded end of your AWE track section (**F40**). Bottom out the slip fit onto your AWE mid section (**F38**).

Snug the clamp, but do not fully tighten it at this time.

Note: The forward OE rubber hangers (**B**) will not be used with the track system.

Note: Ensure the OE rubber hangers are oriented correctly in the car so the word “**UP**” can be read.



STEP 19



STEP 19 IS FOR TOURING SYSTEMS ONLY



Install your AWE touring rear section (**F39**), as shown in **Figure 19**.

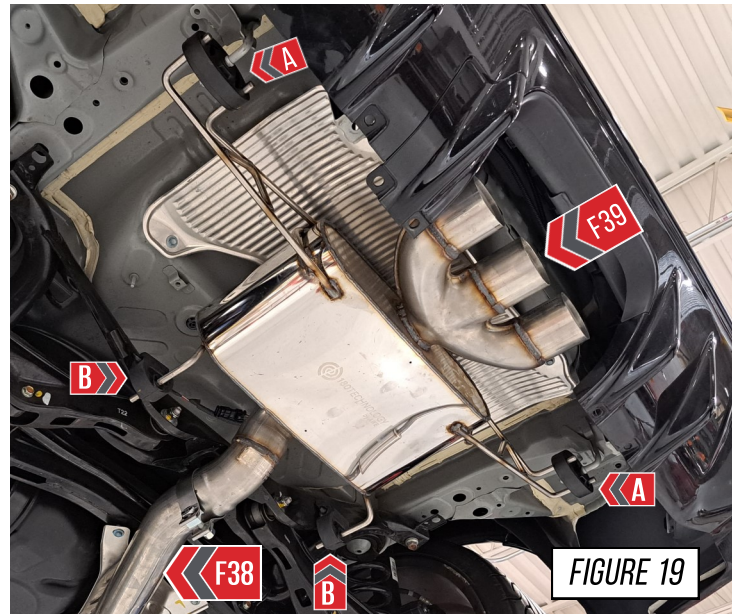
Start by reinstalling the rear most OE rubber hangers on to the OE hanger bar. Then slide the hanger bars on your AWE touring section (**F39**) into the OE hangers, shown at (**A**).

Next slide the forward facing hanger bars into the forward most rubber hangers, shown at (**B**).

Lastly slide a provided clamp over the expanded end of your AWE touring section (**F39**). Bottom out the slip fit onto the AWE mid section (**F38**).

Snug the clamp, but do not fully tighten it at this time.

Note: Ensure the OE rubber hangers are oriented correctly in the car so the word “**UP**” can be read.




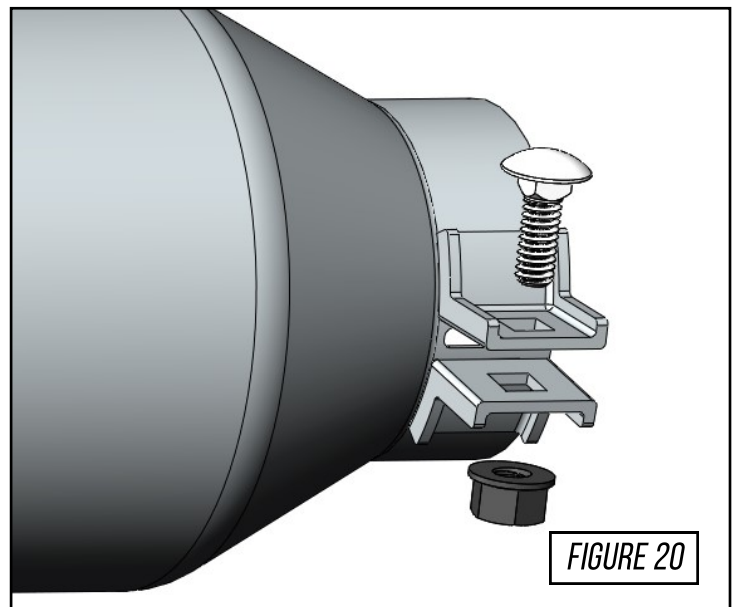
STEP 20

To install the exhaust tips with integrated clamps, first, attach the exhaust tip in the proper orientation onto the exhaust outlet tube.

Insert one of the carriage bolts from the hardware kit (**3910-41010**) through the tab on the exhaust tip and thread on one of the corresponding nuts.

Using anti-seize on the bolt threads will help installation and prevent breakage of hardware.

 If exhaust system only has 2 exhaust tips while the integrated clamp kit has enough hardware for our 4 tip exhaust systems. You will have 2 sets of hardware left over that will not be used.



STEP 21

Gather and install your 3 AWE tips using the provided hardware, as shown in **Figure 20**.

Do not fully tighten your tips at this time.



STEP 22

Using the OE hardware removed earlier, reinstall the OE front heat shield, as shown in **Figure 22**



STEP 23

Using the OE hardware removed earlier, reinstall the OE rear shield by working from the inside out, as shown in **Figure 22**.



STEP 24

Make your final adjustments to the tips to ensure they are in a position you like. Once the desired positioning is achieved work from the front of the car to the back, tightening all the clamps fully and ensuring there is proper clearance of the chassis, and braces.

It is now recommended to drive the car to allow the exhaust to heat cycle after all clamps and tips are fully tightened.



At this point the exhaust will be **very hot**, allow to cool before work continues.

Check the tips for correct alignment, adjust as needed.



Don't forget to see the next page for any troubleshooting needs!



FIGURE 24

ENJOY!



TROUBLESHOOTING

Issue	Solution
Exhaust is not fitting correctly	Most fitment issues are due to improperly adjusted exhaust. This includes tip fitments and rattling due to chassis contact. Check out our FAQ/ fitment guide for more installation tips.
Incorrect or missing parts	Double check the parts list for your system and compare them with what you received. Fill out our contact form, found below and let us know what parts you need.

CARE

Once installed properly, your AWE exhaust will provide years of trouble-free performance.

The exhaust volume and sound will settle with usage; 800-1000 miles is required to break-in new exhaust systems.

Also, please note that the rear **180Technology**® resonator has a small drain hole to allow condensation to escape. Water drops from this area are normal.

Periodic cleaning of exhaust tips is necessary to maintain proper finish, especially in areas prone to road salt and caustic deicing solutions. Use a mild soap and water solution or car wax to clean the finish. Avoid using abrasive polishes, as they can scratch the finish.

Any questions or comments,
please do not hesitate to contact us:

AWE
[CONTACT FORM](#)

WARRANTY

Up-to-date warranty information is found [HERE](#).