



## INSTALLATION GUIDE: AWE G20/G22 BMW M340I/M440I TRACK AND TOURING EXHAUST

For up-to-date fitment information, please visit the product page on [AWE-Tuning.com](https://www.awe-tuning.com).

### THIS GUIDE IS INTENDED FOR THE FOLLOWING PART NUMBERS:

- 3020-11032 AWE Track Edition Exhaust for G2X M340i / M440i - OE Tips
- 3020-42078 AWE Track Edition Exhaust for G2X M340i / M440i - Chrome Silver Tips
- 3020-43085 AWE Track Edition Exhaust for G2X M340i / M440i - Diamond Black Tips
- 3015-11058 AWE Non-Resonated Touring Edition Exhaust for G2X M340i / M440i - OE Tips
- 3015-42148 AWE Non-Resonated Touring Edition Exhaust for G2X M340i / M440i - Chrome Silver Tips
- 3015-43156 AWE Non-Resonated Touring Edition Exhaust for G2X M340i / M440i - Diamond Black Tips
- 3015-11060 AWE Resonated Touring Edition Exhaust for G2X M340i / M440i - OE Tips
- 3015-42150 AWE Resonated Touring Edition Exhaust for G2X M340i / M440i - Chrome Silver Tips
- 3015-43158 AWE Resonated Touring Edition Exhaust for G2X M340i / M440i - Diamond Black Tips
- 3820-11054 AWE Touring-to-Track Edition Conversion Kit for G2X M340i / M440i
- 3815-11058 AWE Track-to-Touring Edition Conversion Kit for G2X M340i / M440i
- 3820-11056 AWE Resonated to Non-Resonated Conversion Kit for G2X M340i / M440i
- 3815-11062 AWE Non-Resonated to Resonated Conversion Kit for G2X M340i / M440i
- 3810-42018 AWE OE-Config-To-Quad Tip Conversion Kit for G2X M340i / M440i - Chrome Silver Tips
- 3810-43020 AWE OE-Config-To-Quad Tip Conversion Kit for G2X M340i / M440i - Diamond Black Tips

Welcome to the AWE family, and congratulations on your purchase of the AWE Exhaust system for the BMW M340i and the BMW M440i.

Exquisite build quality and craftsmanship, coupled with industry leading performance, distinguish this exhaust system from all others.

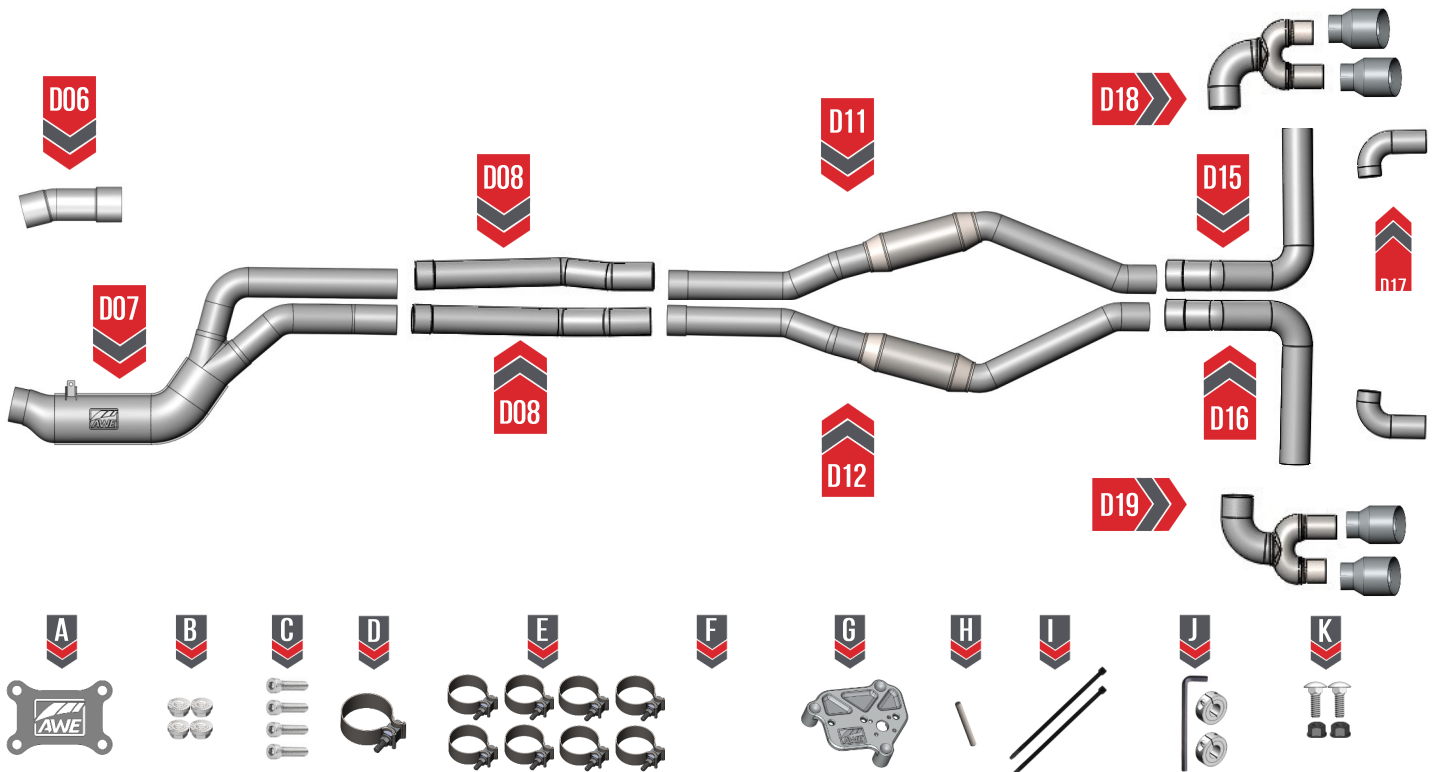
\*For up to the minute fitment information, be sure to visit the AWE website. As always, AWE Performance Specialists are standing by for any questions, [right here](#).

# PARTS LIST (TRACK SYSTEMS)



Inspect **ALL** parts prior to disassembly of vehicle; If damaged **OR MISSING**, please contact the place of purchase immediately.

Part Number	Description	Qty
D06	OEM downpipe adapter	1
D07	Stamped inlet section	1
D08	DS/PS mid tube	2
D11	DS Res axle tube	1
D12	PS res axle tube	1
D15	DS track rear section	1
D16	PS track rear section	1
A 110032	Rear section badge	1
B 94920A500	Serrated flange locknut	4
C 91292A148	M8x1.25 –25mm socket head bolt	4
D 390350	3.5 inch band clamp	1
E 390300	3 inch band clamp	8
F 10-0798	85mm band clamp	1
G 150004	SBS valve motor simulator	1
H 98380A457	7/64" x 1" dowel	1
I 7130K59	Medium zip tie	2
J 3910-11034	3/8" clamp kit	1
SRC1-037	3/8" collar clamp	2
7122A17	7/64" Allen key	1
<b>OE Tip systems only</b>		
D17	DS/PS OE tip outlet	2
<b>Quad Tip systems only</b>		
D18	DS quad tip outlet	1
D19	PS quad tip outlet	1
180008 (chrome) or 180009 (black)	102mm" Slash cut exhaust tips	4
K 3910-41010	Integrated tip hardware kit	4

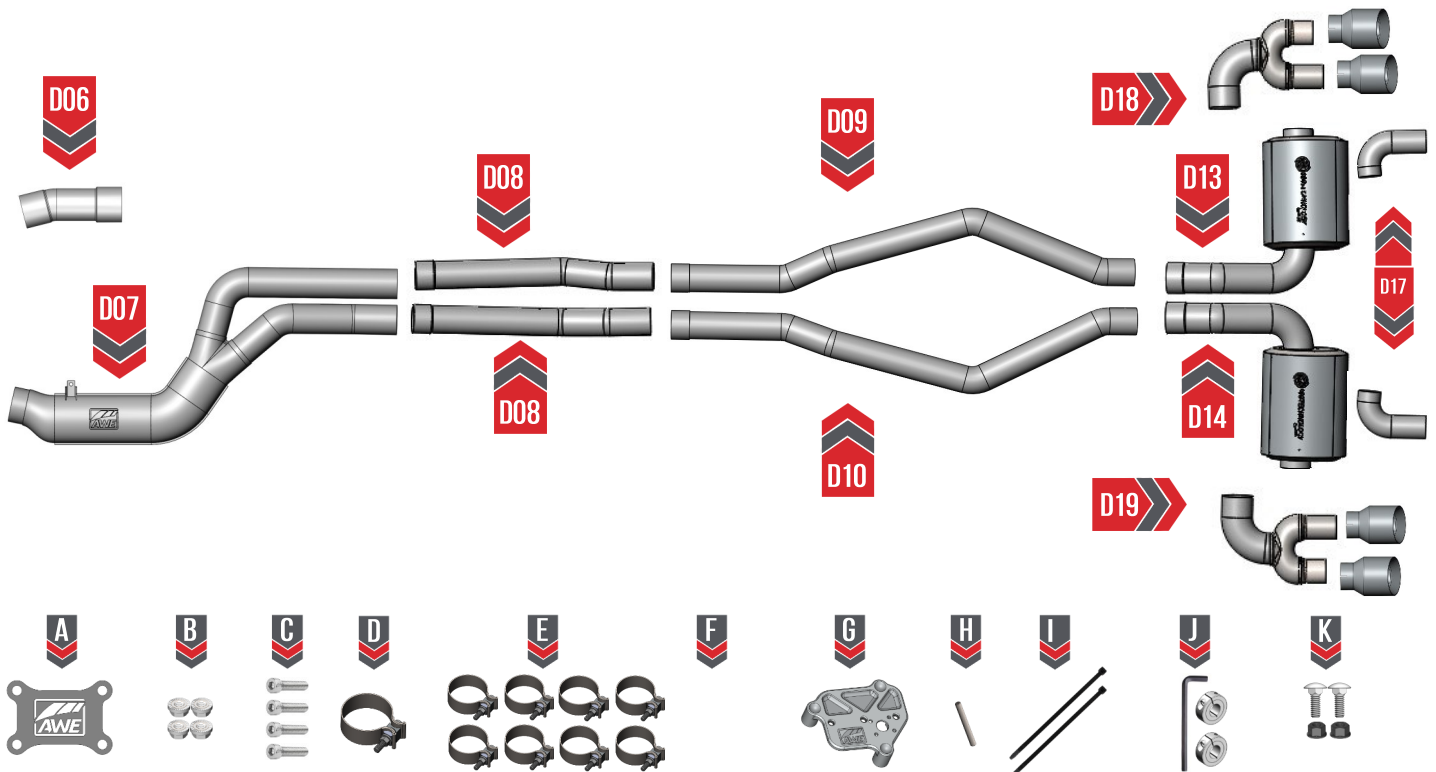


# PARTS LIST (NON-RESONATED TOURING SYSTEMS)



Inspect **ALL** parts prior to disassembly of vehicle; If damaged **OR MISSING**, please contact the place of purchase immediately.

Part Number	Description	Qty
D06	OEM downpipe adapter	1
D07	Stamped inlet section	1
D08	DS/PS mid tube	2
D09	DS non res axle tube	1
D10	PS non res axle tube	1
D13	DS touring rear section	1
D14	PS touring rear section	1
A 110032	Rear section badge	1
B 94920A500	Serrated flange locknut	4
C 91292A148	M8x1.25 –25mm socket head bolt	4
D 390350	3.5 inch band clamp	1
E 390300	3 inch band clamp	8
F 10-0798	85mm band clamp	1
G 150004	SBS valve motor simulator	1
H 98380A457	7/64" x 1" dowel	1
I 7130K59	Medium zip tie	2
J 3910-11034	3/8" clamp kit	1
SRC1-037	3/8" collar clamp	2
7122A17	7/64" Allen key	1
<b>OE Tip systems only</b>		
D17	DS/PS OE tip outlet	2
<b>Quad Tip systems only</b>		
D18	DS quad tip outlet	1
D19	PS quad tip outlet	1
180008 (chrome) or 180009 (black)	102mm" Slash cut exhaust tips	4
K 3910-41010	Integrated tip hardware kit	4

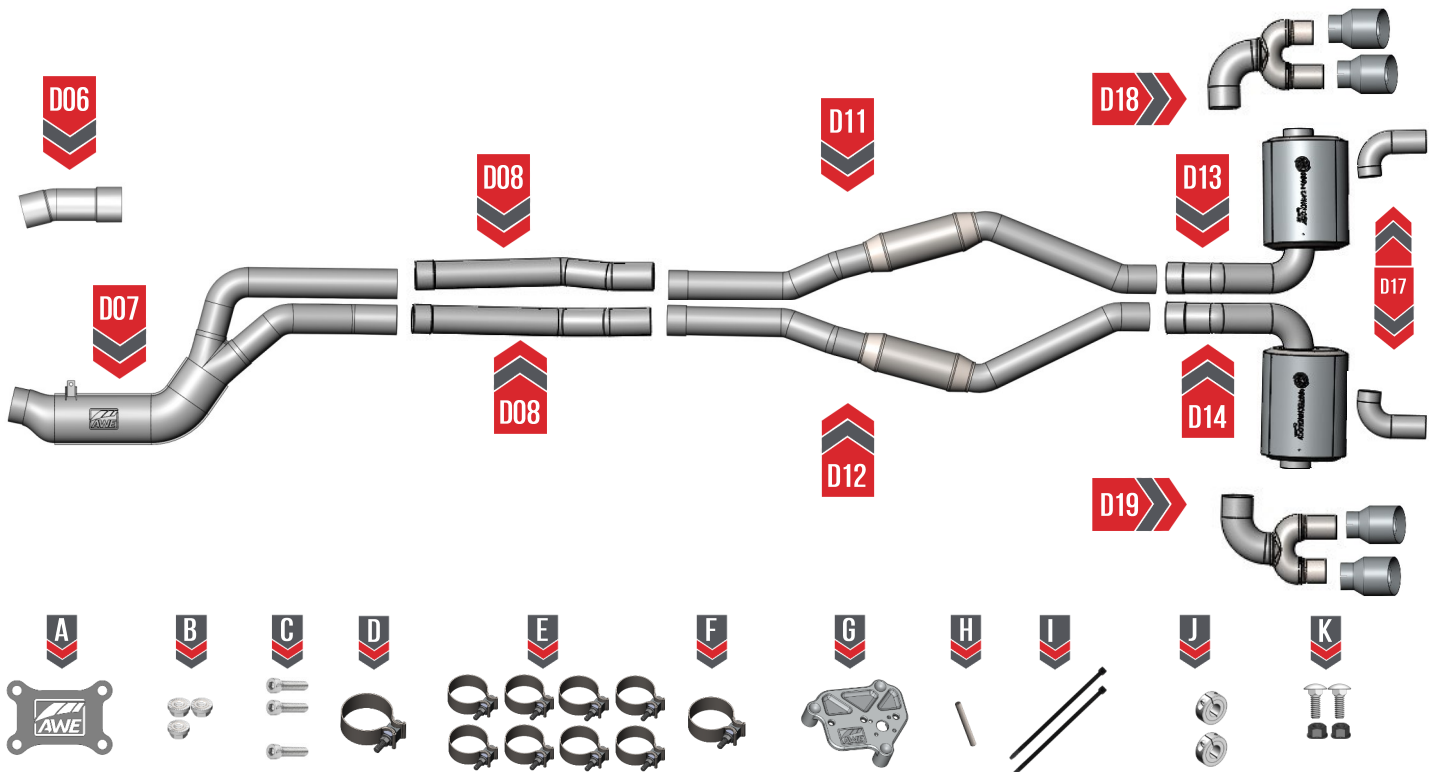


# PARTS LIST (RESONATED TOURING SYSTEMS)



Inspect **ALL** parts prior to disassembly of vehicle; If damaged **OR MISSING**, please contact the place of purchase immediately.

Part Number	Description	Qty
D06	OEM downpipe adapter	1
D07	Stamped inlet section	1
D08	DS/PS mid tube	2
D11	DS Res axle tube	1
D12	PS res axle tube	1
D13	DS touring rear section	1
D14	PS touring rear section	1
A 110032	Rear section badge	1
B 94920A500	Serrated flange locknut	4
C 91292A148	M8x1.25 –25mm socket head bolt	4
D 390350	3.5 inch band clamp	1
E 390300	3 inch band clamp	8
F 10-0798	85mm band clamp	1
G 150004	SBS valve motor simulator	1
H 98380A457	7/64" x 1" dowel	1
I 7130K59	Medium zip tie	2
J 3910-11034	3/8" clamp kit	1
SRC1-037	3/8" collar clamp	2
7122A17	7/64" Allen key	1
<b>OE Tip systems only</b>		
D17	DS/PS OE tip outlet	2
<b>Quad Tip systems only</b>		
D18	DS quad tip outlet	1
D19	PS quad tip outlet	1
180008 (chrome) or 180009 (black)	102mm" Slash cut exhaust tips	4
K 3910-41010	Integrated tip hardware kit	4




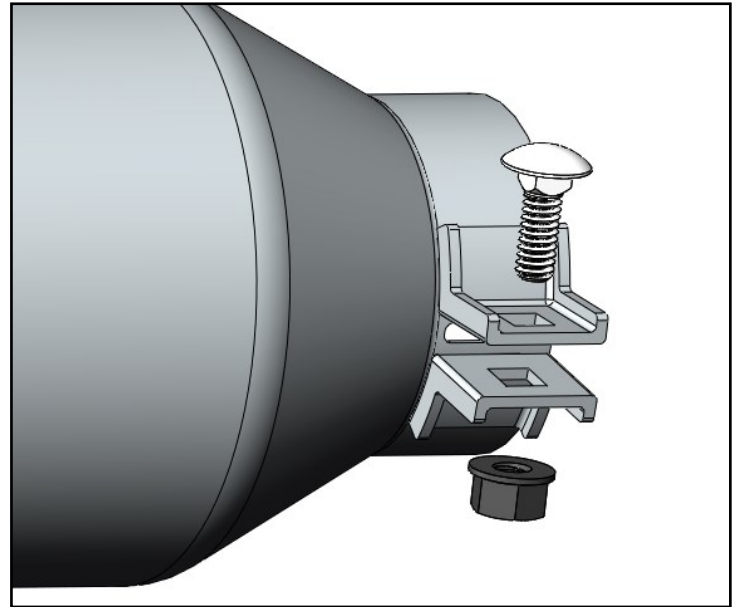
# INTEGRATED TIP CLAMPS

To install the exhaust tips with integrated clamps, first, attach the exhaust tip in the proper orientation onto the exhaust outlet tube.

Insert one of the carriage bolts from the hardware kit (**3910-41010**) through the tab on the exhaust tip and thread on one of the corresponding nuts.

Using anti-seize on the bolt threads will help installation and prevent breakage of hardware.

 This exhaust system only has 2 exhaust tips while the integrated clamp kit has enough hardware for our 4 tip exhaust systems. You will have 2 sets of hardware left over that will not be used.



# TROUBLESHOOTING

Issue	Solution
Exhaust is not fitting correctly	<p>Most fitment issues are due to improperly adjusted mid pipes. Rotating these pipes will help set proper preload on the rear section hangers and help to properly adjust the system. If you are having issues with aligning your tips try loosening the clamp bolt and then while holding the tip in the correct location, retighten the bolt. This will shift the tip into the proper location.</p> <p>Any other questions head over to our <a href="#">fitment guide</a> for more installation tips.</p>
Wrong or missing parts	Double check the parts list for your system and compare them with what you received. Fill out our contact form, found below and let us know what parts you need.
Valve motor and pin will not fit in the simulator bracket.	Confirm that the valves were placed in the open position before removal. If not, you will need another person to hold the OEM valve motor onto the simulator plate firmly and cycle the valves until the motor and dowel pin are aligned.

# CARE

Once installed properly, your AWE exhaust will provide years of trouble-free performance.

The exhaust volume and sound will settle with usage; 800-1000 miles is required to break-in new exhaust systems.

Also, please note that the rear **180Technology®** resonator has a small drain hole to allow condensation to escape. Water drops from this area are normal.

Periodic cleaning of exhaust tips is necessary to maintain proper finish, especially in areas prone to road salt and caustic deicing solutions. Use a mild soap and water solution or car wax to clean the finish. Avoid using abrasive polishes, as they can scratch the finish.

Any questions or comments,  
please do not hesitate to contact us:

**AWE**  
215-658-1670  
[CONTACT FORM](#)

# WARRANTY

Up-to-date warranty information is found [HERE](#).