



2017+ AUDI S4 EXHAUST INSTALLATION: TRACK EDITION / TOURING EDITION GUIDE

Thank you for purchasing the **AWE Track Edition** or **Touring Edition Exhaust System** for the **2017+ Audi B9 3.0T S4**. For up to the minute fitment information, be sure to visit the Audi B9 S4 section of the [AWE website](#).

As always, AWE Performance Specialists are standing by for any questions, at 215-658-1670, or email us [here](#).

Let's go!

PARTS LIST



INSPECT ALL PARTS PRIOR TO DISASSEMBLY OF VEHICLE; IF DAMAGED OR MISSING,

Track Edition & Touring Edition Parts:

- 1 Driver downpipe upper section (part A10)
- 1 Passenger downpipe upper section (part A11)
- 1 X-pipe section (part A14)
- 1 Driver axle tube (part A15)
- 1 Passenger axle tube (part A16)

Track Edition w/ 102mm Tips Only:

- 1 Driver downpipe lower section (See Page 3)
- 1 Passenger downpipe lower section (See Page 3)
- 1 Driver rear section (part A17)
- 1 Passenger rear section (part A18)
- 4 102mm slash cut tips (31122242 (Chrome) OR 31122242-BLK (Black))
- 4 2.25" Tip clamps (BHM6X063SS00C)

Track Edition w/ 90mm Tips Only:

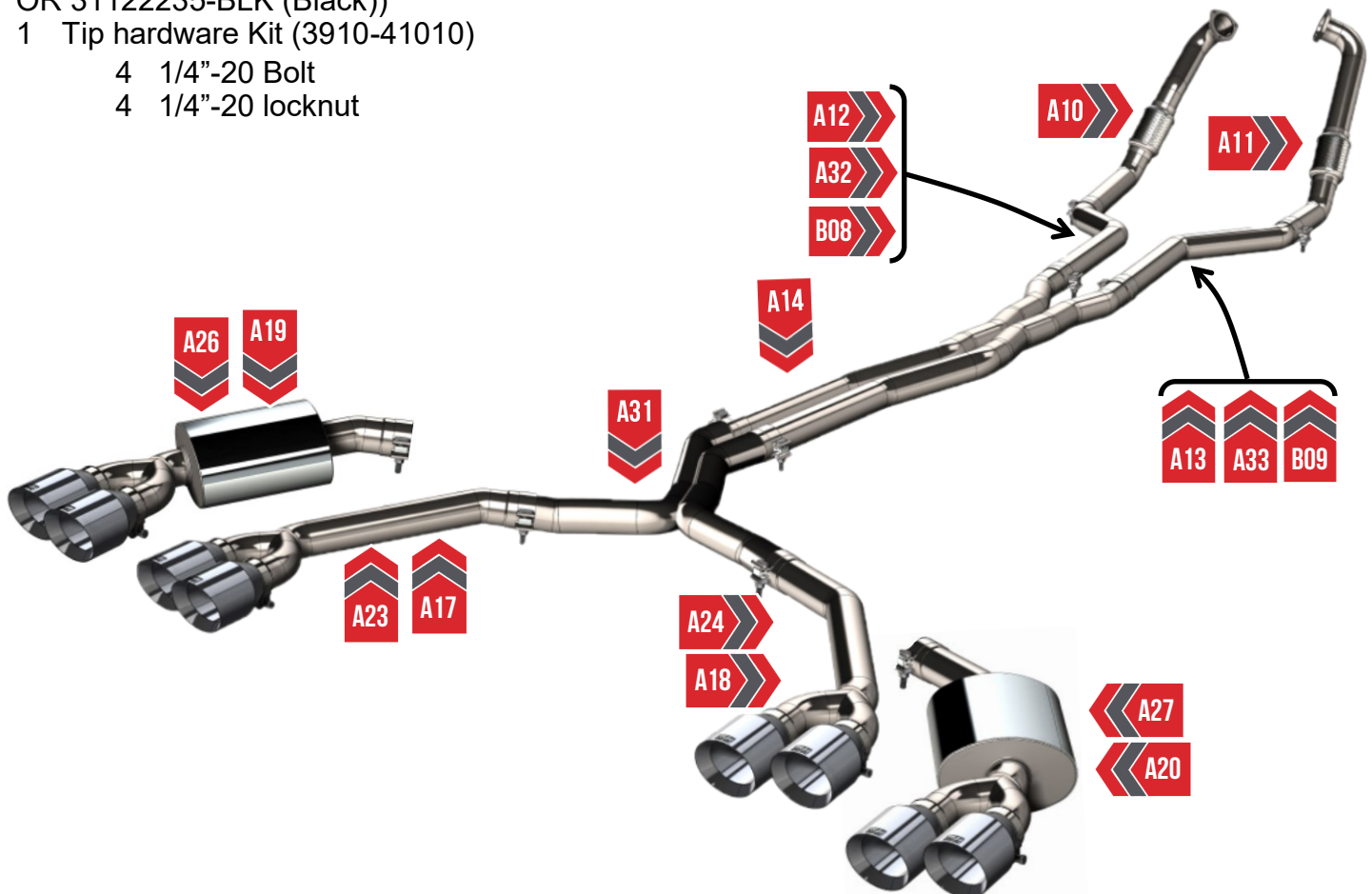
- 1 Driver downpipe lower section (See Page 3)
- 1 Passenger downpipe lower section (See Page 3)
- 1 Driver rear section (part A23)
- 1 Passenger rear section (part A24)
- 4 90mm slash cut tips (31122235 (Chrome) OR 31122235-BLK (Black))
- 1 Tip hardware Kit (3910-41010)
 - 4 1/4"-20 Bolt
 - 4 1/4"-20 locknut

Touring Edition w/ 102mm Tips Only:

- 1 Driver downpipe lower section (See Page 3)
- 1 Passenger downpipe lower section (See Page 3)
- 1 Driver rear section (part A19)
- 1 Passenger rear section (part A20)
- 4 102mm slash cut tips (31122242 (Chrome) OR 31122242-BLK (Black))
- 4 2.25" Tip clamps (BHM6X063SS00C)

Touring Edition w/ 90mm Tips Only:

- 1 Driver downpipe lower section (See Page 3)
- 1 Passenger downpipe lower section (See Page 3)
- 1 Driver rear section (part A26)
- 1 Passenger rear section (part A27)
- 4 90mm slash cut tips (31122235 (Chrome) OR 31122235-BLK (Black))
- 1 Tip hardware Kit (3910-41010)
 - 4 1/4"-20 Bolt
 - 4 1/4"-20 locknut



PARTS LIST



INSPECT ALL PARTS PRIOR TO DISASSEMBLY OF VEHICLE; IF DAMAGED OR MISSING, PLEASE CONTACT THE PLACE OF PURCHASE IMMEDIATELY.

Hardware Kit:

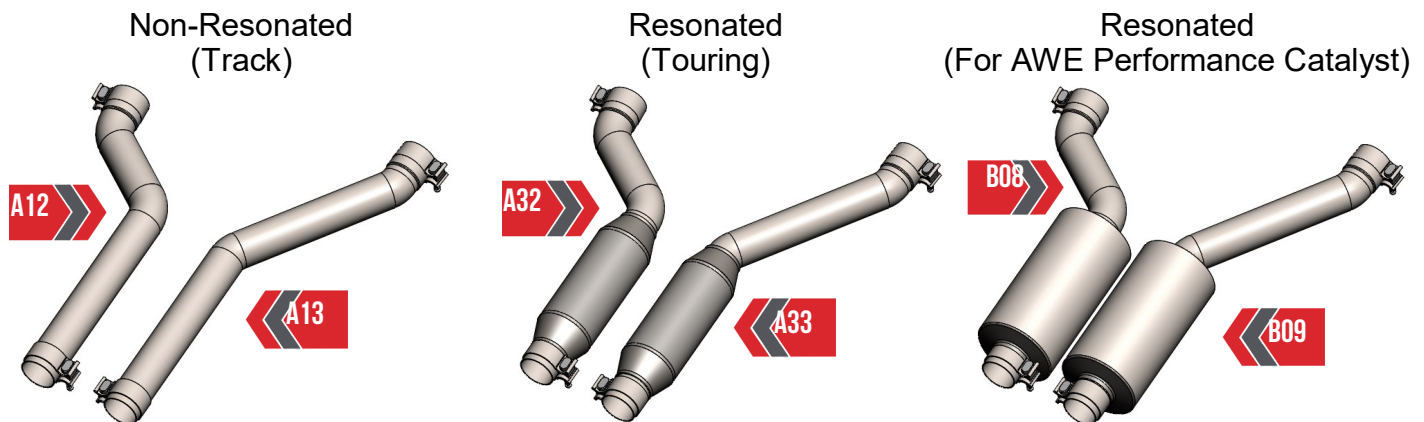
- 8 2.5" (63.5mm) Accu-Seal clamps (TAS250)
- 2 Valve Simulators (GA-6669)
- 3 M8x30mm screws
- 4 M8 copper locking nuts
- 2 M8 washer (*large diameter*)
- 1 M8 lock washer
- 1 M6 nut
- 1 M6-1.0 bolt
- 2 M6 washers
- 4 **Brace spacers**

- 2 Flange gaskets (8K0253115K)

Tools Required:

- T25 Torx driver
- 10mm triple square driver
- 12mm socket / combination wrench
- 13mm socket / combination wrench
- 1/4" or 3/8" Universal joint
- 1/4" or 3/8" Extension
- 1/4" or 3/8" Ratchet

Lower downpipe configurations and part numbers



STEP 1



Installation of the AWE Performance Exhaust System is the reverse of the removal OEM exhaust.



Always refer to the manufacturer service manual for precise torque specifications on all OEM fasteners.

Under the hood, remove the plastic engine cover and turbo heat shield, to expose the turbo and catalyst.

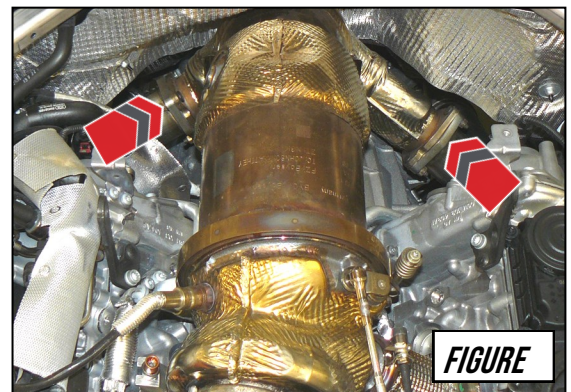
CAUTION: The catalyst may be **HOT**, allow adequate time to cool down, before disassembly. Severe burns and injury will occur if skin comes into contact with a hot exhaust.



Under the hood, remove the plastic engine cover and turbo heat shield, to expose the turbo and catalyst.

Before exhaust removal, soak the fasteners that hold the exhaust in place with a penetrating oil.

Start by removing the two (2) 12mm nuts on the driver side flange along with the three (3) 12mm nuts on the passenger side flange, as shown by the arrows in **Figure 1**. Five (5) nuts in total can be accessed from the engine bay.



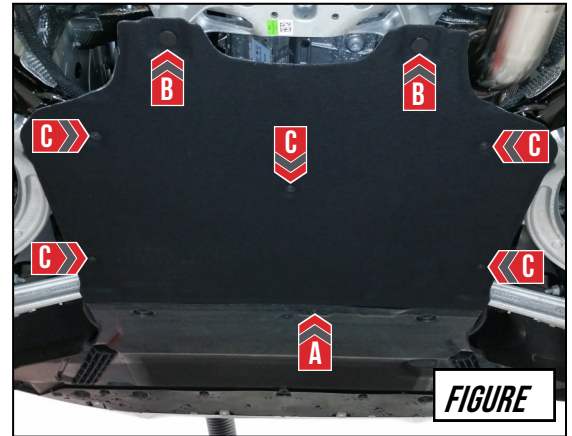
STEP 2

The remainder of the removal process takes place under the car. Removing the belly pan is accomplished by removing the fasteners as shown by the arrows in **Figure 2**.

One (1) T25 Torx, at **Arrow A** in **Figure 2**.

Two (2) quick release fasteners, at **Arrows B** in **Figure 2**.

Five (5) quarter-turn fasteners, at **Arrows C** in **Figure 2**.



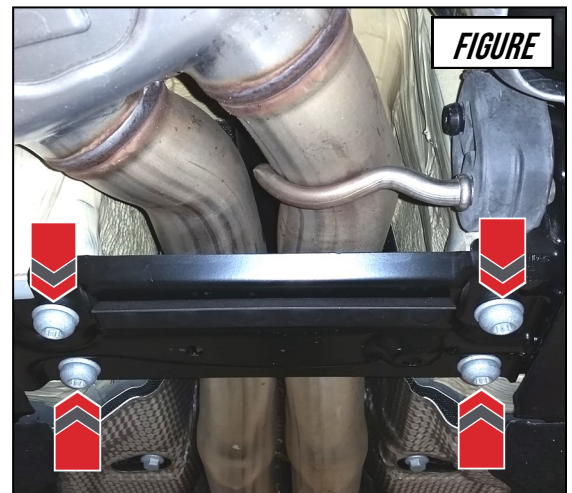
STEP 3



NOTE: Before removing any braces or hanger supports, be sure the exhaust is supported either by a second set of hands or support stands.

Remove the four (4) 10mm triple square bolts that secure the cross brace in place, as shown by the arrows in **Figure 3**.

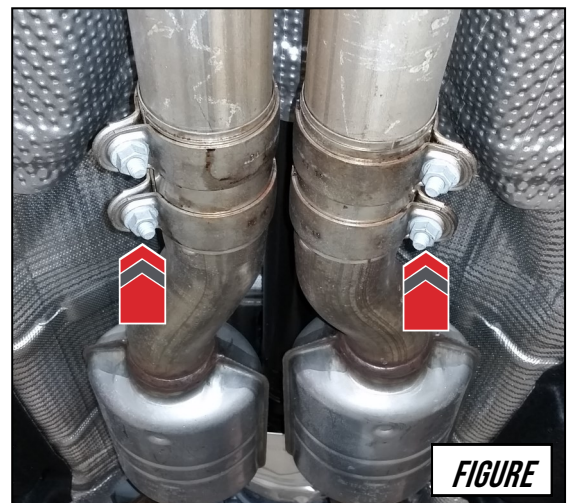
The middle muffler hanger bracket is also held into place through these bolts; once removed, set aside the hanger and bracket for reuse on the AWE X-pipe section (part A14).



STEP 4

Starting from the rear of the car, support the OEM rear mufflers and loosen the four (4) 13mm bolts that secure the sleeve clamps into place, as shown by the arrows in **Figure 4**.

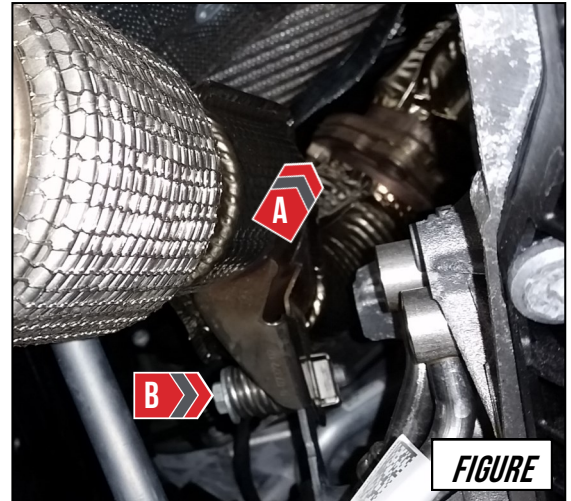
Remove the OEM rear muffler sections from the car.



STEP 5

Loosen and remove the last remaining 12mm nut from the driver side exhaust flange at the catalytic converter, as shown by **Arrow A** in **Figure 5**.

Loosen and remove the 13mm bolts that secures each downpipe to the support bracket, driver side shown by **Arrow B** in **Figure 5**.



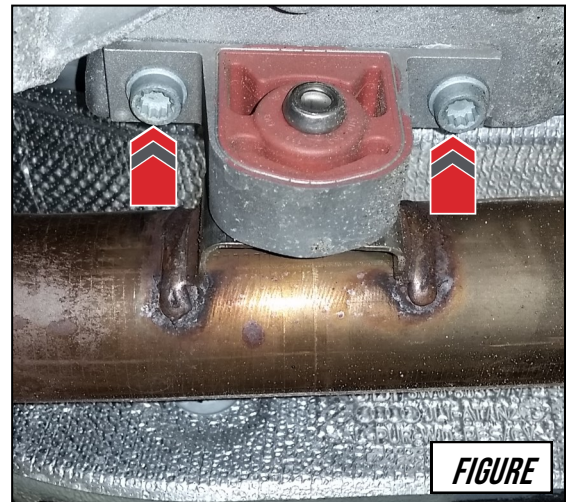
STEP 6

Properly support the OEM mid mufflers and downpipe sections before complete removal.

Remove the four (4) 10mm triple square bolts that hold the hanger brackets onto the cross brace; driver side shown by the arrows in **Figure 6**.

The OEM exhaust can now be completely removed from the car allowing the AWE Touring Edition or Track Edition exhaust to be installed in the reverse order of removal.

Transfer the OEM hanger bushings and brackets onto the corresponding AWE Exhaust parts.



STEP 7

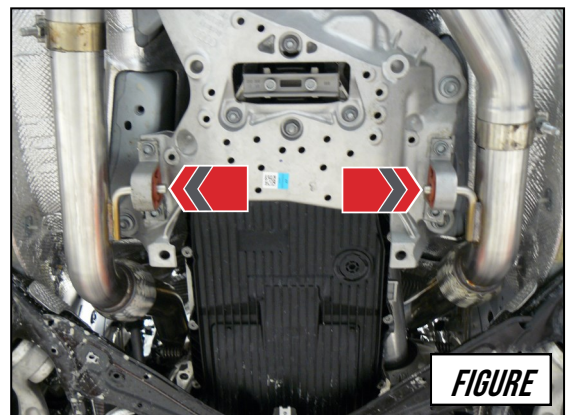
Install the downpipe upper sections (part A10 & A11) using the included flange gaskets and mounting hardware to secure them to the outlet flange of the factory catalyst.

Reinstall the mounting bracket and hanger hardware for both driver and passenger sides, as shown by the arrows in **Figure 7**.

Reinstall and torque the flange nuts to manufacturer specification along with the spring-bolt into the support bracket. Be careful not to overtighten the spring-bolt.



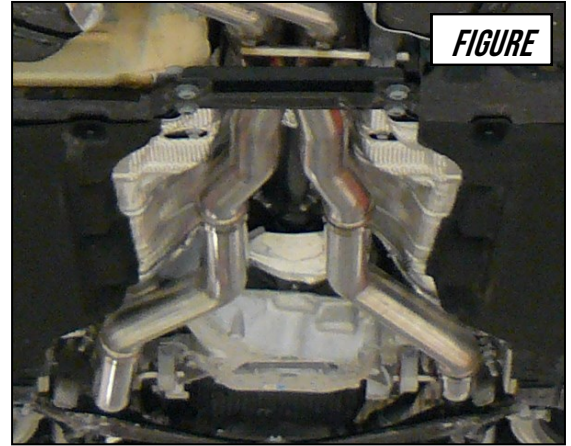
NOTE: Spraying an assembly lube into the hanger bushings will make installation easier.



STEP 8

Place two (2) 2.5" Accu-Seal clamps over each inlet side of the downpipe lower sections (Track Edition parts A12 & A13, Touring Edition parts A32 & A33), install into place as shown on the Track Edition system in **Figure 8**. Be sure to fully seat the pipes over the corresponding downpipe upper sections outlet pipe.

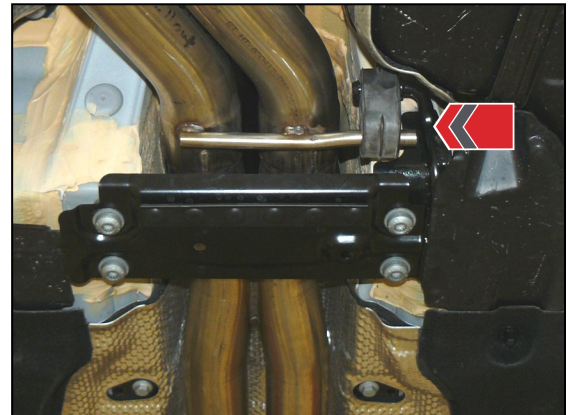
Do not torque any of the clamps into place until the entire system has been installed and adjusted.




STEP 9

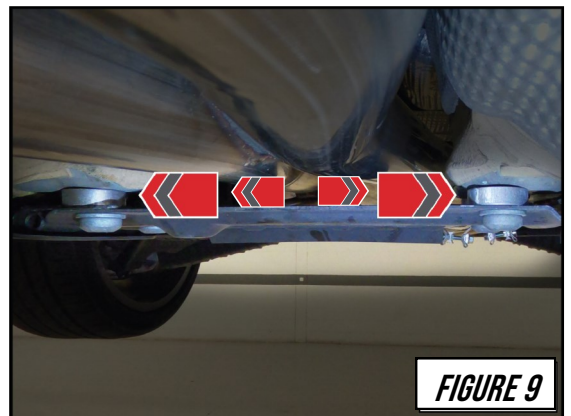
Place two (2) 2.5" Accu-Seal clamps over the inlets of the X-pipe section (part A14) and install into place.

Transfer the OEM hanger bracket and bushing assemblies onto the correlating hanger posts on the exhaust.



 Reinstall the cross brace with the **4** included **brace spacers** placed between the chassis and the brace, as shown by the arrows in **Figure 9**.

NOTE: Installing both hangers before installing the cross-brace will make installation easier.



(STEP 9 CONTINUED ON NEXT PAGE)

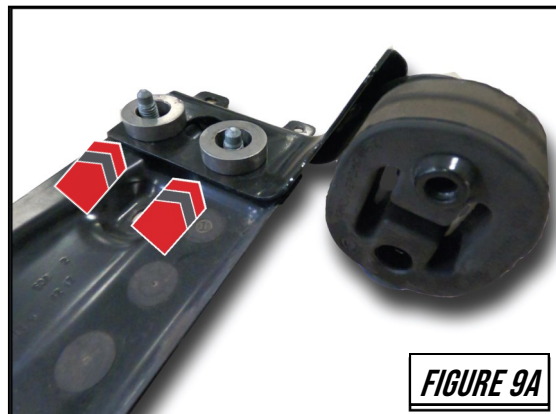
STEP 9 (CONTINUED)

On the passenger side of your Audi, the spacers will be placed above the hanger bracket to lower the bushing with the cross brace as shown in **Figure 9a**.



Failure to install the provided Brace Spacers properly may result in contact between the AWE mid-pipe and your driveshaft or cross brace.

AWE will not be held responsible for any damage to our system or your vehicle resulting from the failure to



Proper adjustment of your AWE system can be achieved by rotating the front pipes to set the proper clearance needed between the mid pipes, cross brace and driveshaft.

This video will walk you through this process of adjustment and spacer placement.

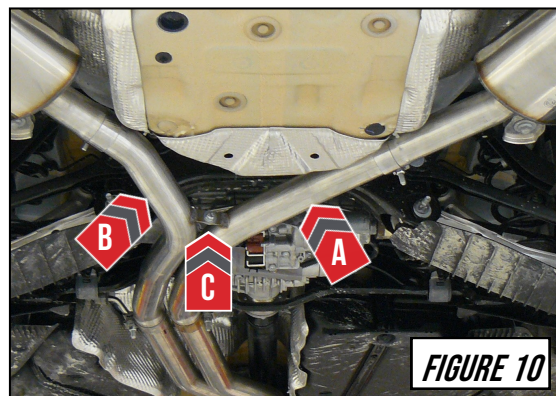


STEP 10

Place a 2.5" Accu-Seal clamp over the inlet of the passenger axle tube (part A16) and install onto the X-pipe section, as shown by **Arrow A** in **Figure 10**. This pipe must be installed first due to the shape of the pipes.

Place a 2.5" Accu-Seal clamp over the inlet of the driver axle tube (part A15) and install onto the mid-muffler section, as shown by **Arrow B** in **Figure 10**.

With both pipes fully seated, align the two tabs and insert the M6 hardware to clamp the two tabs together, as shown by **Arrow C** in **Figure 10**.



STEP 11

It is crucial to install each section and Accu-Seal clamp correctly to prevent loose joints and exhaust leaks between the tubing connections.

Arrow A in **Figure 11** shows the expanded pipe and the preinstalled Accu-Seal clamp being brought up to the corresponding pipe.

Arrow B in **Figure 11** shows the overlapping pipe installed correctly over the corresponding pipe.

Arrow C in **Figure 11** shows the Accu-Seal clamp being brought to the edge of the expanded pipe.

NOTES:



- Do not torque any Accu-Seal clamp until the entire exhaust has been installed and adjusted.
- Torque specification is a minimum of 40 ft./lbs.

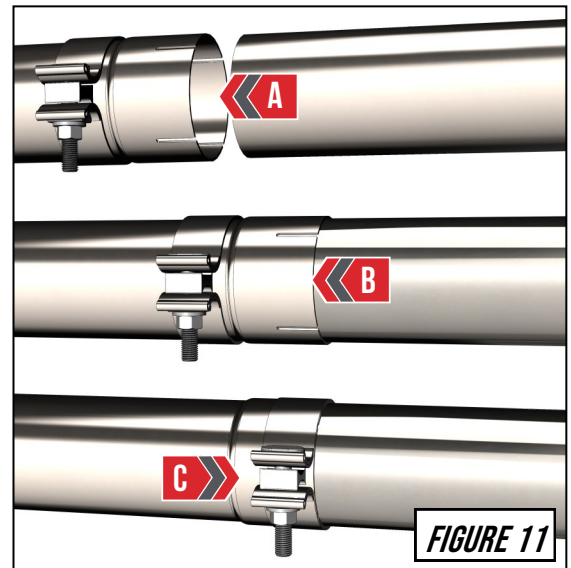


FIGURE 11

STEP 12

To accomplish the best tip fitment, align the 2.25" tip clamp to cover *only* the slot, as shown by **Arrow A** in **Figure 12**.

The clamp should only be covering the section of the tip that has been slotted, as shown by **Arrow B** in **Figure 12**.

Torque the tip clamp to a minimum of 11 ft./lbs.

NOTES:



- It is recommended to apply anti-seize to the threads to prevent thread binding, shown by **Arrow C** in **Figure 12**.
- It is okay to have the clamp extend beyond the edge of the tip inlet.

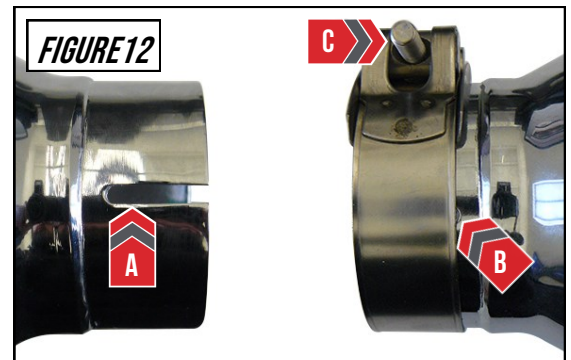


FIGURE 12

STEP 13

Touring Edition with 102mm tips exhaust shown in **Figure 13**.

Use an included 2.5" Accu-Seal clamps to install the driver rear section, as shown by **Arrow A** in **Figure 13**.

Use the last 2.5" Accu-Seal clamp to install the passenger rear section, as shown by **Arrow B** in **Figure 13**.

Using the remaining 2.25" tip clamps, install the 102mm slash cut tips into location, shown by **Arrow C** in **Figure 13**. For 90mm tips, use the included hardware to install onto the tip outlets.

Once the exhaust tips are properly aligned, starting at the downpipe sections moving towards the rear of the car, torque each Accu-Seal clamp to a minimum of 40ft/lbs.

Plug the included valve simulators into the factory harnesses for the valves at the rear of the car. Zip-tie up and out of the way of the exhaust.

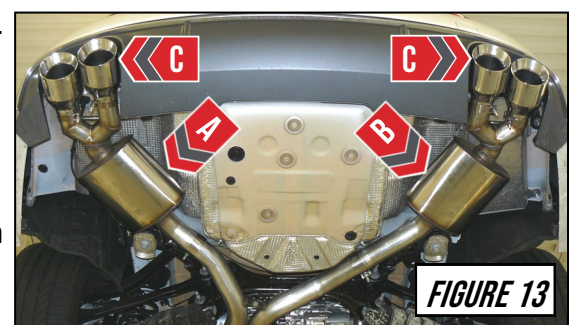


FIGURE 13

ENJOY!



CARE

Once installed properly, your AWE Performance Exhaust will provide years of trouble-free performance.

The exhaust volume and sound will settle with usage; 800-1000 miles is required to break-in new exhaust systems.

Also please note that the rear **180Technology®** resonator has a small drain hole to allow condensation to escape. Water drops from this area are normal.

Periodic cleaning of exhaust tips is necessary to maintain proper finish, especially in areas prone to road salt and caustic deicing solutions. Use a mild soap and water solution or car wax to clean the finish. Avoid using metal polishes, as they can scratch the finish.

Any questions or comments,
please do not hesitate to contact us:

AWE
199 Precision Drive
Horsham, PA 19044
215-658-1670
performance@AWE-Tuning.com

WARRANTY

Summary:

This warranty is in place for all AWE brand products, and works in conjunction with any incremental specific product warranties or guarantees as listed on AWE-Tuning.com. This warranty protects against manufacturer defect. A performance car is only as strong as its weakest link. Therefore, it is vital that you maintain your vehicle to factory specifications. By installing or using the purchased product, the Consumer accepts this warranty and any specific Manufacturer warranties enclosed. The following warranty is valid only in the United States and Canada. The Manufacturer's full warranty applies to all products sold.

Covered:

All AWE brand products against manufacturer defect. Please note that special order items are not returnable.

Period:

Secor Ltd. (AWE) warrants this **Touring Edition** or **Track Edition Exhaust System** for the **2017+ Audi B9 3.0T S4**, to the original retail purchaser (Consumer) against manufacturer's defects as follows: **ONE (1) YEAR on exhaust tip finish, LIFETIME on balance of parts**, from purchase date from AWE directly or from AWE authorized retailer. Proof of purchase will be required.

Condition of system:

In the event of a return, product must be returned with no signs of abuse, incorrect installation, forced installation, motorsports usage, or product altering whatsoever. Actions will be granted upon receipt of product at AWE, after inspection.

Action:

Returns and warranty claims **MUST BE HANDLED THROUGH ORIGINAL LOCATION OF PURCHASE**. Upon verification of warranty coverage, AWE will, at its sole option, repair, replace or consult toward remedy for the defective product, without charge. This is the only remedy the Consumer has for any loss or damage, however arising, due to nonconformity in or defect of the product. This warranty does not cover consequential damage, loss of time or revenues, labor, inconvenience, loss of use of vehicle, shipping, damage to the vehicle or components, or other incidental or indirect damage.

Labor:

Labor is not covered.

Shipping:

Shipping charges are not covered.

Restocking:

AWE reserves the right to charge a 20% restocking fee for products that are returned.

Exclusions:

Use of product in Motorsports or Racing conditions is grounds for warranty denial. Motorsports and Racing is an inherently abusive operational condition, and it is impossible to warranty for this type of usage. Warranties may be voided if product is not installed by an authorized AWE dealer. Warranties will be voided if product is improperly serviced, modified, or used in a way not intended by the Manufacturer. The Consumer is responsible for ensuring that the product is installed in a safe and proper manner, and should cease usage of the product immediately if an unsafe or improper condition is noted. If an unsafe or improper condition is noted, the Consumer should then immediately contact the facility where the product was installed, or AWE.

Other:

EXCEPT AS EXPRESSLY SET FORTH ABOVE, AWE MAKES NO WARRANTY, EXPRESS OR IMPLIED, AS TO ANY MATTER WHATSOEVER INCLUDING ANY IMPLIED WARRANTY OF MERCHANTABILITY OR FITNESS FOR A PARTICULAR PURPOSE. IN NO EVENT SHALL AWE BE LIABLE FOR ANY SPECIAL, INCIDENTAL, INDIRECT OR CONSEQUENTIAL DAMAGES HOWEVER CAUSED, ON ANY THEORY OF LIABILITY, AND WHETHER OR NOT AWE HAS BEEN ADVISED OF THE POSSIBILITY OF SUCH DAMAGES. AWE's sole liability on any claim of any kind, whether in contract, tort, or otherwise, for any loss or damage arising out of, connected with, or resulting from the manufacture, sale, delivery or use of the products sold hereunder shall in no case exceed the amount actually paid to AWE for the applicable product. These limitations shall apply notwithstanding any failure of essential purpose of any limited remedy.