



Carex Health Brands

OTHER PRODUCTS FROM CAREX HEALTH BRANDS

Hinged Toilet
Seat Riser
B321, B322



Rolling
Walker
A222

Carex Health Brands is committed to developing innovative healthcare products that bring quality to life for our customers. For more information on other products from Carex, visit our website at www.carex.com

WARRANTY

WARRANTY PROVISIONS

Carex Health Brands guarantees that the Upeasy Seat Assist will be free from defects in material and workmanship for one year from the date of its original purchase.

The warranty does not cover damage due to normal wear and tear, neglect or misuse, nor is it transferable.

Please note that if you try to repair the Upeasy in any way yourself, the warranty becomes void.

Don't forget to mail your warranty card in today!

WARRANTY SERVICE

If the Upeasy fails to function as warranted (see Warranty Provisions at left), contact the original place of purchase.

This Upeasy Seat Assist was purchased from:

Made in China for Carex Health Brands. If for any reason you cannot contact your dealer, call us directly at 800.526.8051.



Upeasy Seat Assist

User Guide

SAFETY PRECAUTIONS

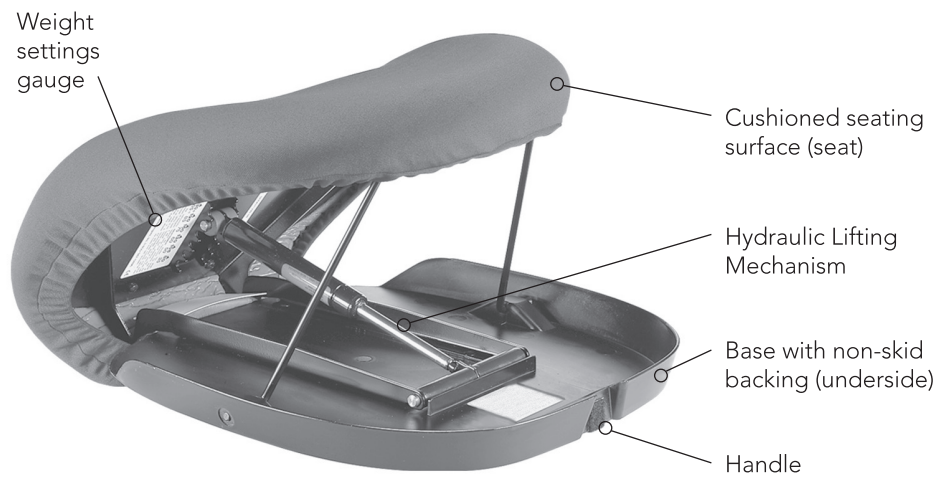
The unique, patented design of the Upeasy Seat Assist has safety at its core. While Upeasy is made to be as safe as possible, there are some precautions you need to take:

1. Make sure you have something to hold on to when getting up. Upeasy Seat Assist is designed for use on chairs with arms that offer a stable seating surface. Upeasy is not recommended for use in wheelchairs, automobiles, reclining chairs or office chairs with non-lockable wheels.
2. Always make sure that the chair your Upeasy Seat Assist is used on will not slide along the floor. When in doubt, place the chair with its back against a wall or other fixed object.
3. When bending over to pick something up, do not put any weight on your feet – otherwise the Upeasy will start to lift you.

PLEASE NOTE: If, after setting your Upeasy to the proper weight setting, the cushion does not go down when you sit on it, the lifting mechanism may be stiff from prolonged inactivity. In this case, simply set the weight setting at the lowest level, and sit on the cushion a few times until you feel it moving freely again. Then reset for your weight.



PART IDENTIFICATION



PLACEMENT IN THE CHAIR



Generally, the Upeasy Seat Assist should overhang the front of the chair as shown. On chairs which are very deep, it is permissible to position the lifting seat further back. When using the Upeasy, keep both hands on the arms of the chair (or other suitable support).

Note: The Upeasy Seat Assist should overhang as shown when used on a hard chair.

ADJUSTING WEIGHT SETTINGS

1. Stand Upeasy on the end opposite the handle.
2. Push down on the upholstered part of the cushion, causing it to flex outward. This allows the lifting mechanism to swing freely. (The Upeasy cushion is designed to flex this way thousands of times. Flexing will not damage the product.)
3. Select a weight setting. Center the lifting mechanism pin between the two grooves for user's appropriate weight. Make sure it is fitted securely in the center of the weight slots. (The printed numbers on the setting gauge are only a guideline. The setting you choose should be according to the user's ability and preference. Choosing a weaker setting will still allow a gentle lowering into the chair but will not provide as much force on rising.)



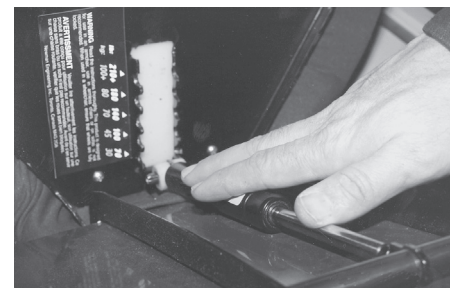
Push **down**, flexing the upholstered part of the seat.



Select a weight setting suited to the user and center lifting mechanism between the appropriate slots.

CLOSING FOR TRANSPORT

1. Using the method for adjusting the weight settings, allow the lifting mechanism to swing below the bottom setting.
2. Close the Upeasy cushion and wrap the Velcro strip around the carrying handle.



SITTING DOWN WITH UPEASY



After adjusting the weight settings and placing the Upeasy on your chair, sit down on the flat part at the top of the cushion. The Upeasy will ease you slowly and gently into your chair.

Note: If the cushion does not go down when you sit on it, re-adjust the weight setting to a lower weight.

GETTING UP WITH UPEASY



When you are ready to stand, simply start to get up like you normally would, by leaning slightly forward and pushing off with your arms and legs. Upeasy will sense you are getting up and give you a slow and gentle lift up.

CARING FOR YOUR SEAT ASSIST

The cover on your Upeasy Seat Assist is made of 100% polyester and can be removed and machine washed (hang to dry).

The surface of the Upeasy cushion is coated with a special water-resistant coating. This may be sponge cleaned with mild soap or detergent.

Note: Never totally immerse your Upeasy Seat Assist in water.

To put on the cover after cleaning:

1. Adjust the weight setting on your Upeasy Seat Assist and place it on a table with the open end facing away from you.



2. Place the end of the cover with the tag over the back or top of the cushion and pull it down and under the front edge.

Note: The back or top end of the cover is made wider than the front to ensure proper fit. It is best to leave all or part of the tag on your cover so that it is easy to identify this back/top end in the future.