

CAREX[®]

ITEM# P57100 0000

Bedside Rail



Questions, problems or missing parts?

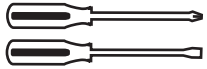
Before returning, contact Compass Health Brands customer service:

800-526-8051 | CAREX.COM

Product Assembly

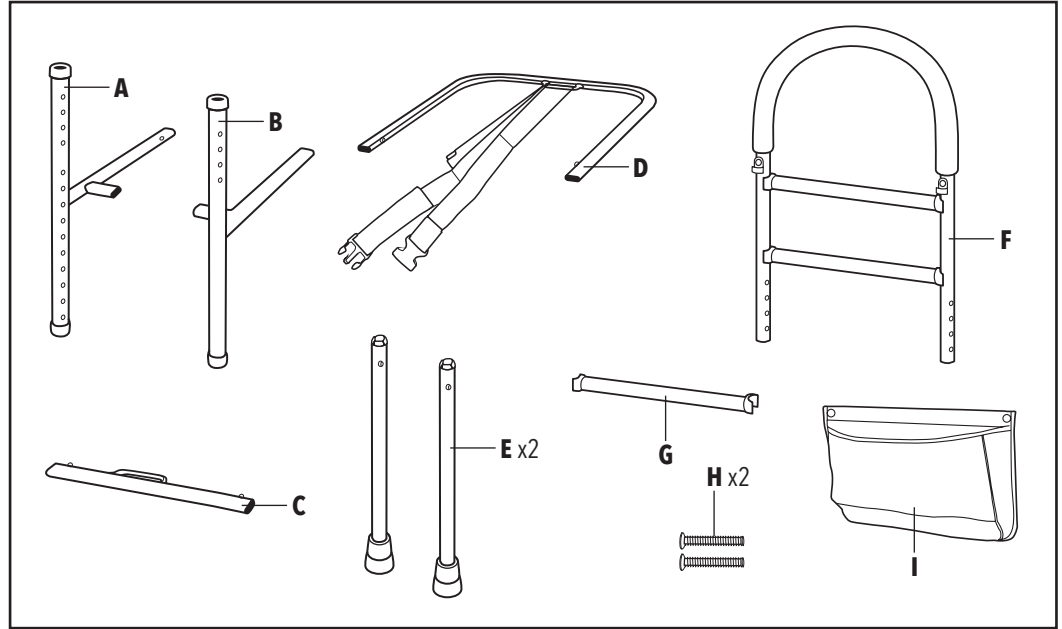
1 Check all parts

TOOLS REQUIRED



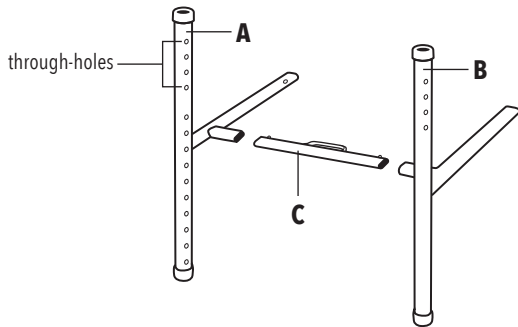
Philips or Flathead
Screwdriver

Part	Quantity
A	1
B	1
C	1
D	1
E	2
F	1
G	1
H	2
I	1

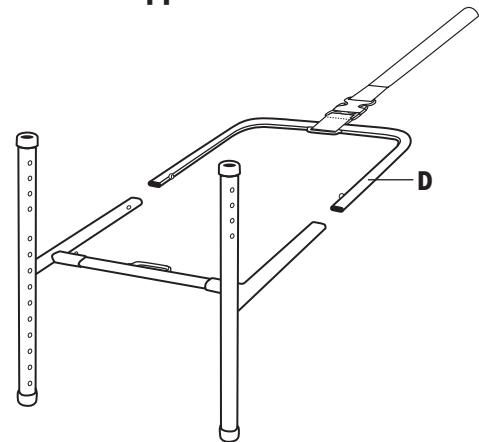


2 Connect cross bar to post

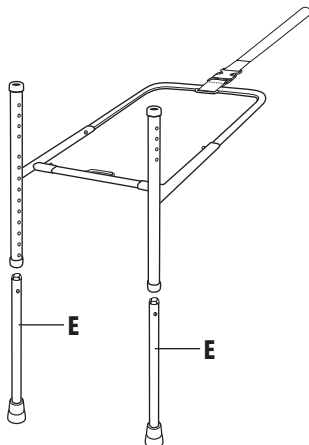
NOTE: Post through-holes should be UP when assembled.



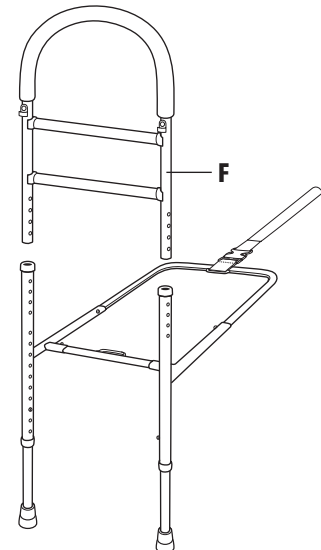
3 Add under-bed support frame



4 Insert the legs into the under-bed support frame

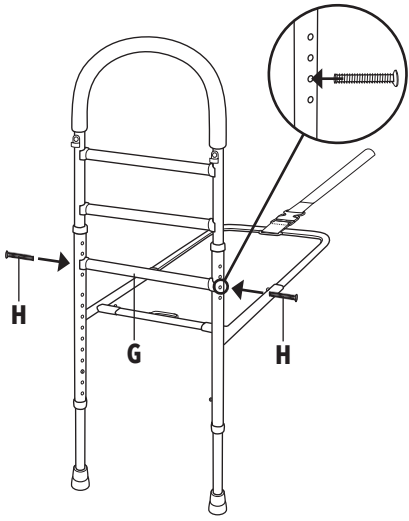


5 Insert foam handle

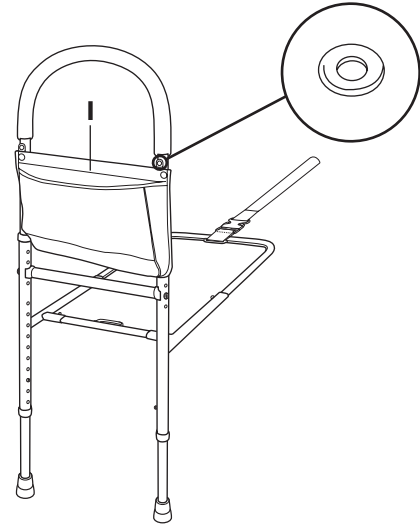


6 Use the screws to secure foam handle AND bottom rung

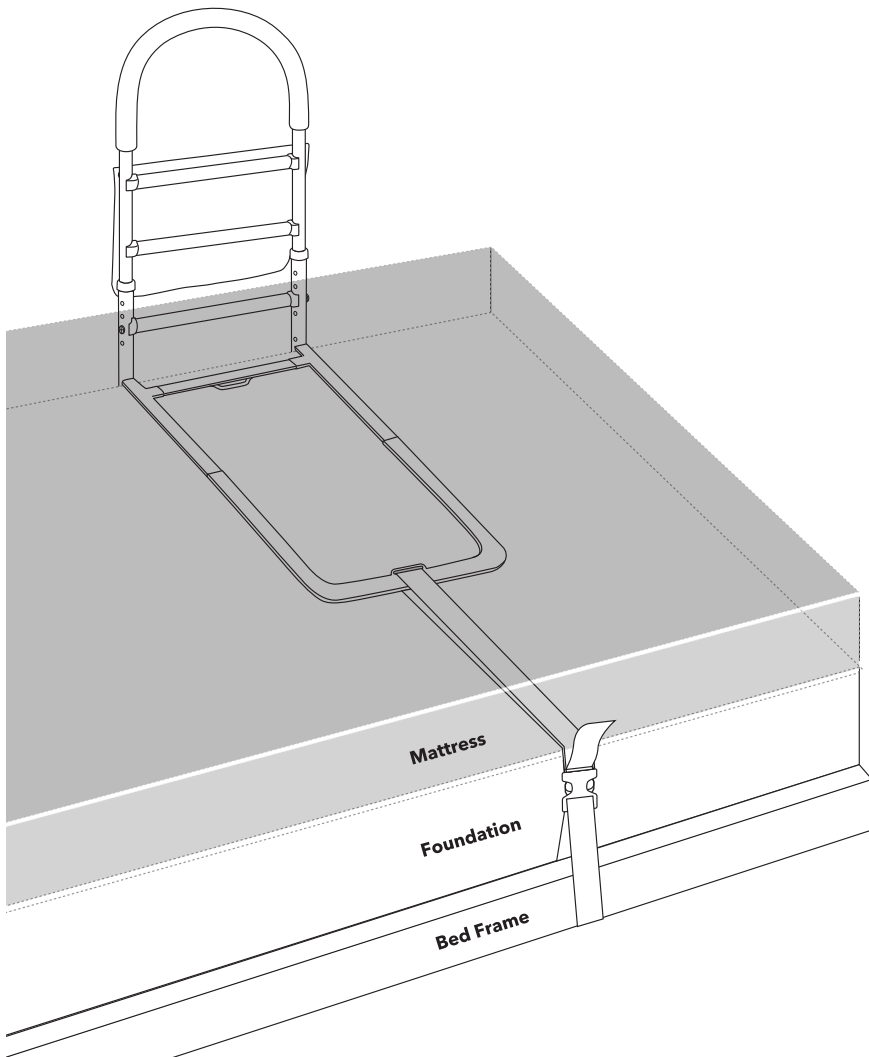
□ **NOTE:** Bottom rung should be below the top surface of the mattress when installed to the bed.



7 Remove shipping washers from foam handle and add pouch



8 Installation to the bed: Secure strap to bed frame and tighten



⚠ **WARNING**

SUFFOCATION/ STRANGULATION/ ENTRAPMENT HAZARD

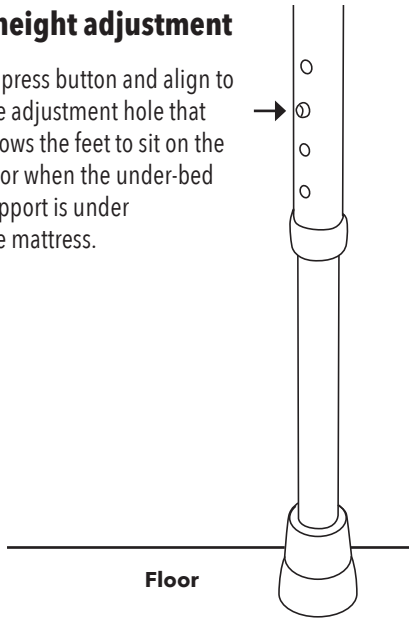
If product is installed incorrectly or moves from its initial position, gaps can occur which can entrap and kill. People with Alzheimer's disease, dementia or other neurological conditions, or those who are sedated, confused, or frail, are at increased risk of entrapment, suffocation and strangulation.

- **NEVER** use unless product is tight against mattress, without gaps, and at least 12 1/2 in. from headboard and footboard.
- **NEVER** use with children.
- **NEVER** use on toddler, bunk, water, or inflatable beds, or on beds with mattress toppers or soft compressible pads.
- **NEVER** use with a mattress height taller than 19 in. or shorter than 6 in.
- **NOT** to be used with articulating beds.

Product Installation and Adjustment

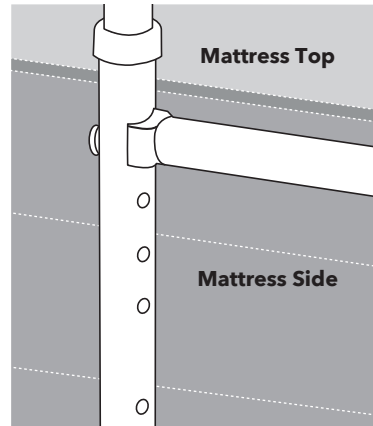
1 Leg height adjustment

- Depress button and align to the adjustment hole that allows the feet to sit on the floor when the under-bed support is under the mattress.



2 Handle height adjustment

- Using a screw driver, unscrew the screws and align the foam handle hole and the lower rung to a frame hole below the top surface of the mattress.



⚠ WARNING

SUFFOCATION/ STRANGULATION/ ENTRAPMENT HAZARD

When adjusting the foam handle height, the top of the handle must be a minimum of 4" above the top of the mattress.

⚠ WARNING

SUFFOCATION/STRANGULATION/ENTRAPMENT HAZARD

If the strap provided is not properly secured, the product may move into an unsafe position which increases the danger of entrapment. See instructions for proper use of the straps.

⚠ WARNING

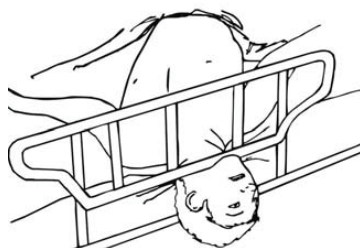
ENTRAPMENT/STRANGULATION/SUFFOCATION AND FALL HAZARDS

Gaps in and around this product can entrap and kill. People with Alzheimer's disease or dementia, or those who are sedated, confused, or frail, and are at increased risk of entrapment and strangulation. People attempting to climb over this product are at increased risk of injury or death from falls. Always make sure this product is properly secured to bed. If product can move away from bed or mattress, it can lead to entrapment and death.

- Bedside rail and straps work with most twin, queen and king size beds.
- Stop using immediately if damaged or broken, or if parts are missing.
- Stop using immediately if product shifts out of its original position until it is readjusted into the correct position.
- In addition to contacting the manufacturer directly, consumers should report problems to the CPSC at its website SaferProducts.gov or call 1-800-638-2772, or to the FDA at 1-800-332-1088.
- For further information, see: cpsc.gov/en/Safety-Education/Neighborhood-Safety-Network/Posters/Adult-Bed-Rails/ and www.fda.gov/bedsafety.



Zone 1



Zone 2



Zone 3



Zone 4

Cleaning and Maintenance Instructions

- Use warm damp cloth to clean Bed Rail. **ALWAYS** ensure product is completely dry before using.
- ALWAYS INSPECT BED RAIL PRIOR TO USE.** Properly inspecting and maintaining your Bed Rail can reduce risk of injury. Make sure all parts are secure and are in good working order.

⚠ WARNING

ENTRAPMENT/STRANGULATION/SUFFOCATION AND FALL HAZARDS

Gaps in and around this product can entrap and kill. People with Alzheimer's disease or dementia, or those who are sedated, confused, or frail, and are at increased risk of entrapment and strangulation. People attempting to climb over this product are at increased risk of injury or death from falls. Always make sure this product is properly secured to bed. If product can move away from bed or mattress, it can lead to entrapment and death.

⚠ WARNING

SUFFOCATION/STRANGULATION/ENTRAPMENT HAZARD

If product is installed incorrectly or moves from its initial position gaps can occur which can entrap and kill. People with Alzheimer's disease, dementia or other neurological conditions, or those who are sedated, confused, or frail, are at increased risk of entrapment, suffocation and strangulation.

⚠ WARNING

SUFFOCATION/STRANGULATION/ENTRAPMENT HAZARD

If the strap provided is not properly secured the product may move into an unsafe position which increases the danger of entrapment. See instructions for proper use of the straps.

⚠ WARNING

ENTRAPMENT HAZARD

NEVER use product without properly securing it to bed. Incorrect installation can allow product to move away from mattress, bed frame and/or head or foot boards, which can lead to entrapment and death.

CAREX[®]

Questions, problems or missing parts?

Before returning, contact Compass Health Brands customer service:

800-526-8051 | CAREX.COM

Retain this manual for future use.

COMPASSHEALTH

Manufactured for:

Compass Health Brands Corp.
Middleburg Heights, OH 44130
www.compasshealthbrands.com

Phone 800.376.7263

Made in China

42-P57100_0000_00 © 2021