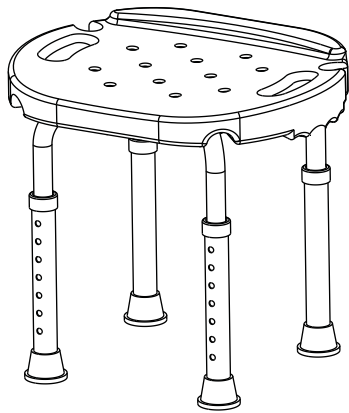
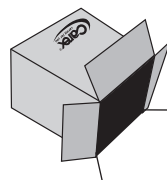


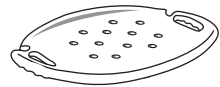
Carex[®]
caring for you



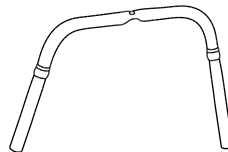
B65777



Installation Instructions



Seat x 1



U Bar x 2
Labeled "1"
and "2"



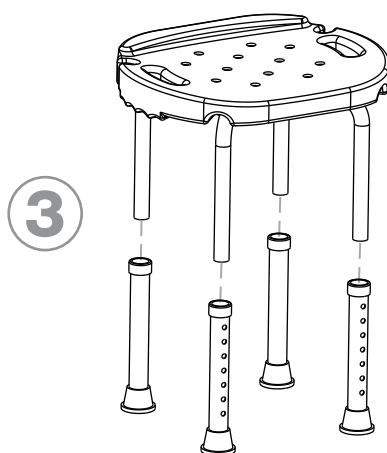
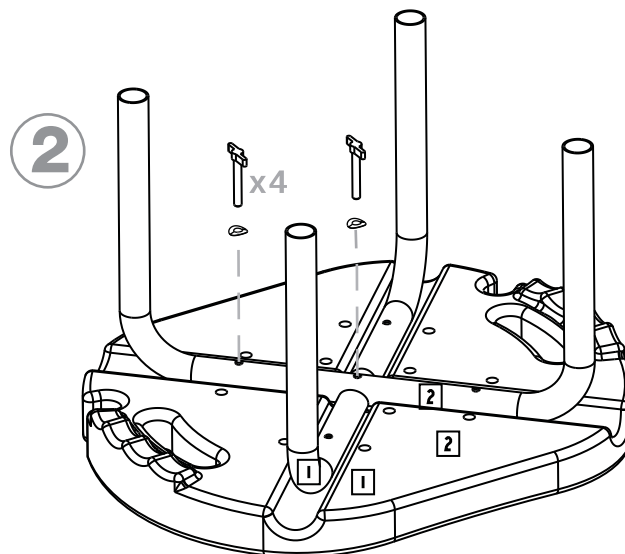
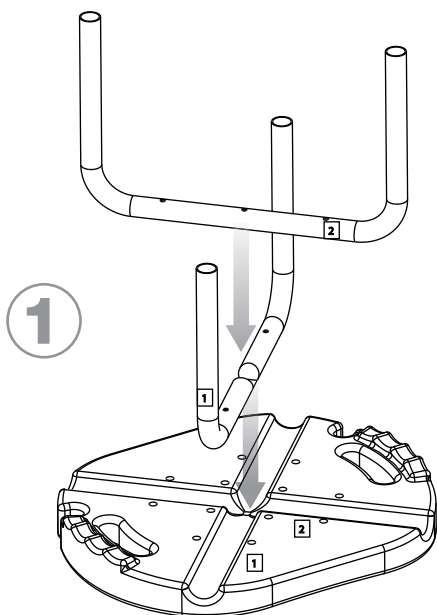
Leg Extensions x 4



Washer x 5

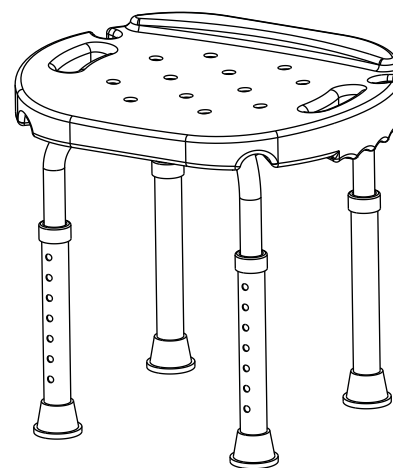


Screws x 5



4

Check for stability.
Assure all pins are in place.
Place in shower or bath.



Carex Health Brands

PO Box 2526 • Sioux Falls, SD 57101-2526
Phone: 800-328-2935 • Fax: 888-616-4297
www.carex.com



Carex Health Brands

All Rights Reserved
© 2012 Carex Health Brands
42-B65777_00

Final Trim Size: 8.5" X 11"

COLOR



BLACK

Paper: 100gsm Wood-free