

Assembly Instructions

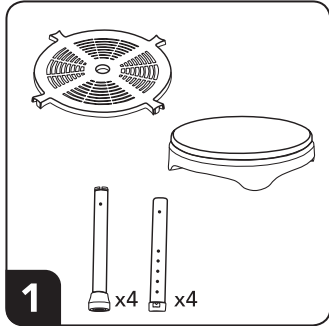
EZ Swivel Stool



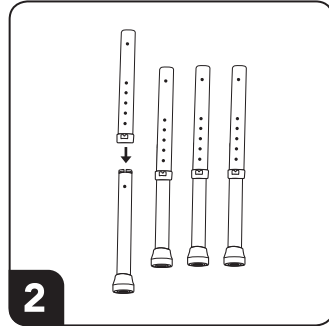
B612

CAUTION

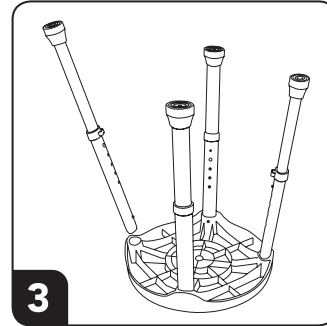
Always use caution entering and exiting the tub
Siempre tenga cuidado cuando entre o salga de la tina



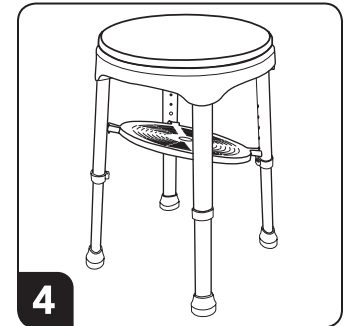
Check all parts.



Assemble legs



Connect legs to
seat base



Attached storage shelf
using slots on legs



Carex Health Brands

PO Box 2526, Sioux Falls, SD 57101-2526

Phone 800.328.2935

www.carex.com

Made in China
42-B61200-00 ©2014