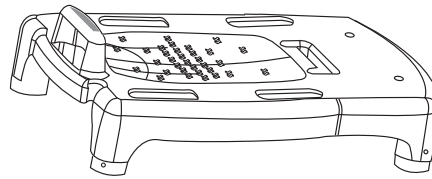
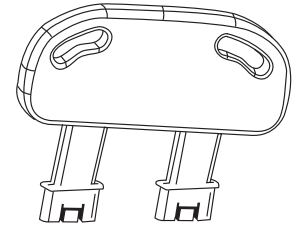




B170



Seat Base x1



Seat Back x1



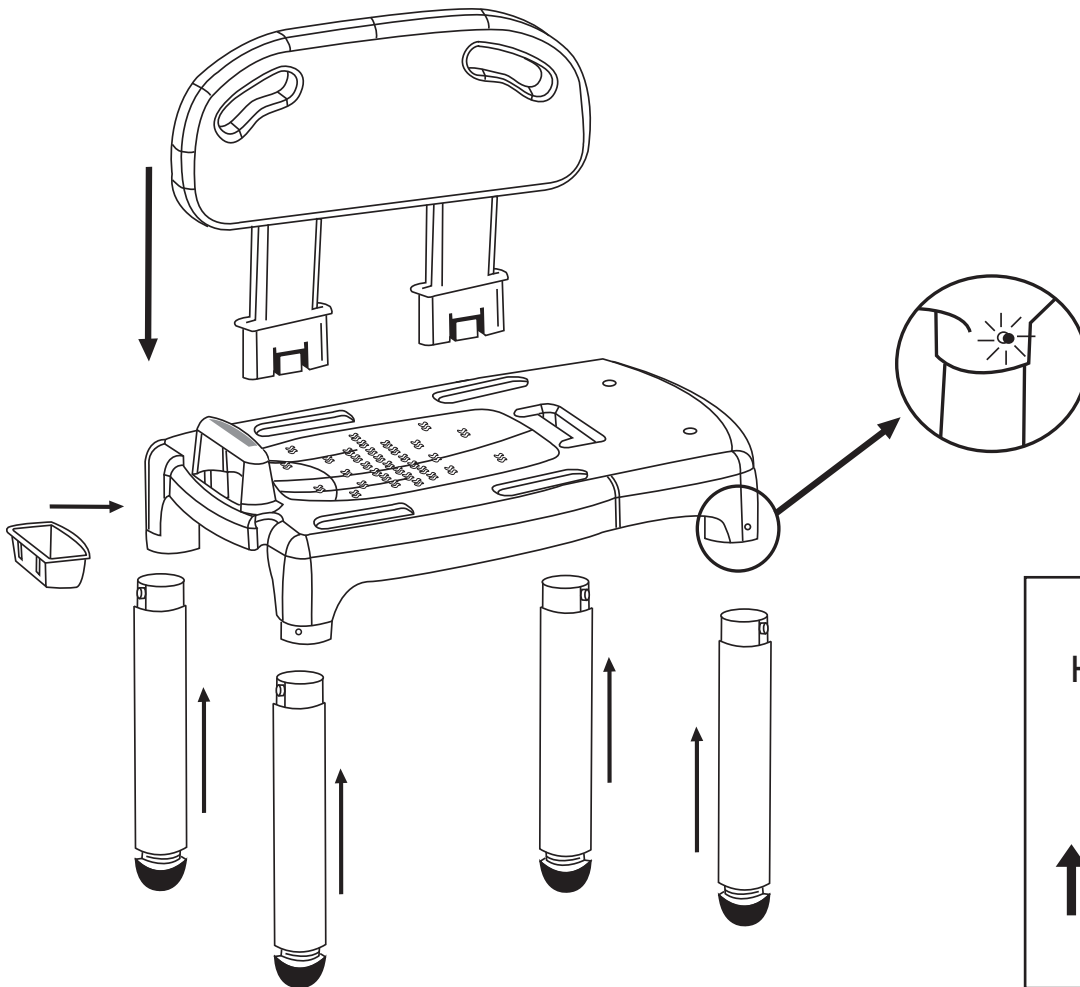
Legs x4



Inserts x2



Tray x1



COMPASSHEALTH

Manufactured for: Compass Health Brands Corp.
Middleburg Heights, OH 44130
www.compasshealthbrands.com • 800.376.7263

