

Installation Guide

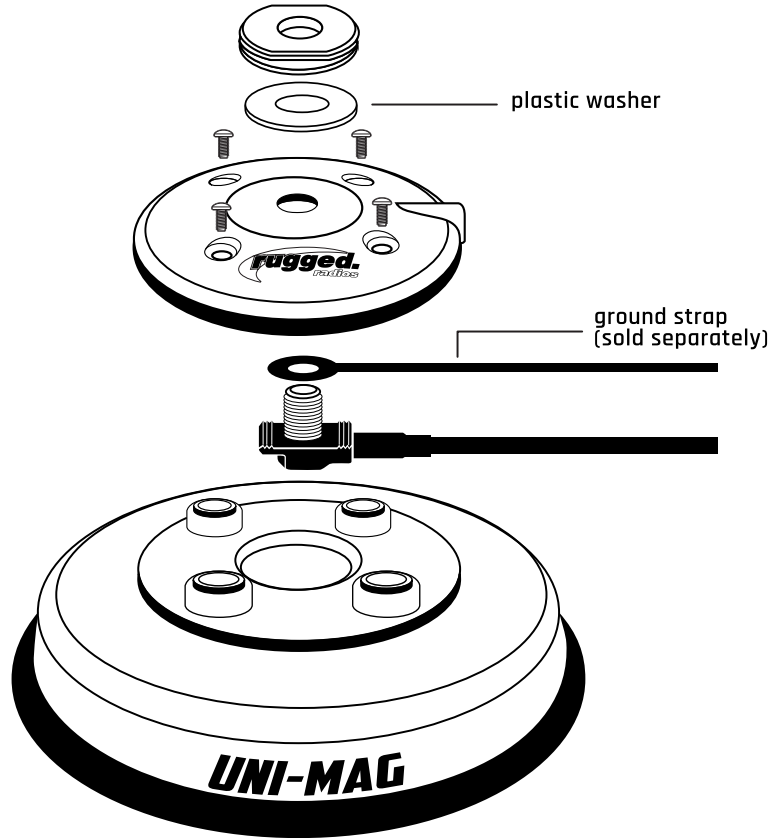


The UNI-MAG provides two mounting options. It can be used as a magnetic mount or a traditional NMO mount.

Follow this guide to configure your UNI-MAG for your preferred mounting option.

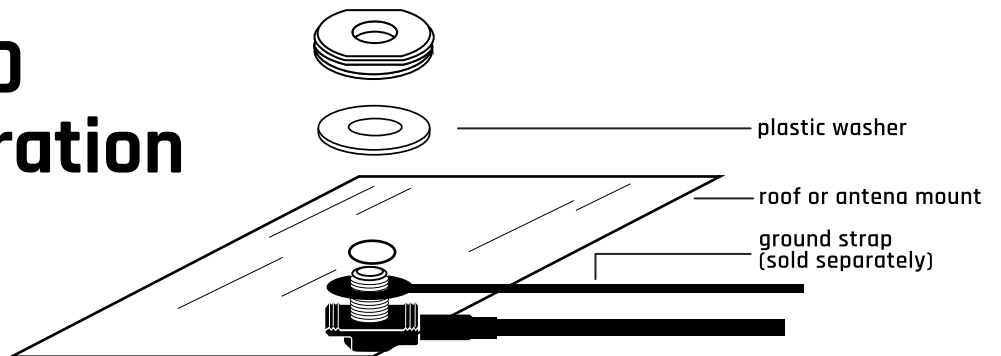
Magnetic Mount Configuration

Refer to the diagram for magnetic mount assembly.



Traditional NMO Mount Configuration

Refer to the diagram for traditional NMO mount assembly.



Tech Installation Procedure

Scan the QR code at right and download the Tech Installation Procedure Guide for important tips on antenna placement, grounding, cable placement, and more.



Antenna Accessories



P.N. AMH

Tubing Antenna Mount

Allows you to mount your antenna to any vehicle with 1", 1.25", 1.5", 1.75", 1.8" or 2" tubing



P.N. PSM21021

Scosche BaseClamp Mount

The mount can be rotated 360° with 18 locking positions available.



P.N. NMO-CAP

NMO CAP

Designed to screw on and cover the NMO Mount to provide protection against rain, mud, debris, and damage.



P.N. ANT-SWITCH

ANTENNA SWITCH

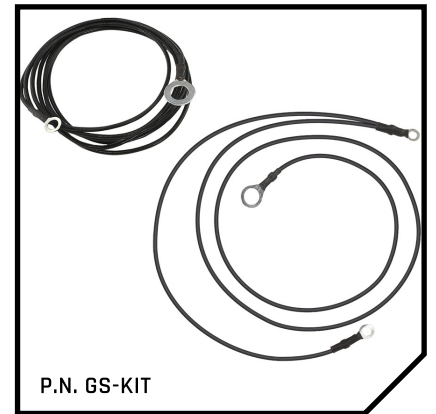
Easily switch your antenna connection to backup antenna or alternate radio (VHF vs UHF) with this simple antenna switch.



P.N. GP-DISC-6

6" GROUND PLANE DISC

Made for vehicles with a non-metal roof that uses a ground plane antenna.



P.N. GS-KIT

GROUND STRAP KIT

NMO ground cable and radio/intercom grounding cable in one simple kit.



P.N. MT-MAG-PLATE

Mounting Plate

Provides a magnetic surface for vehicles with alloy, plastic, or fiberglass roofs.