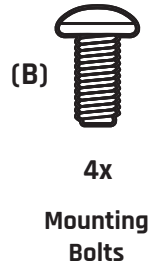
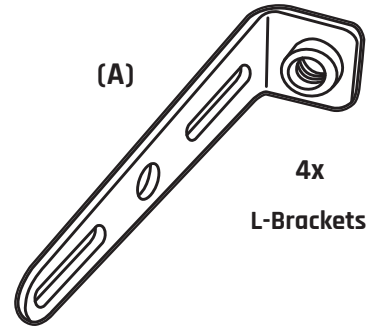
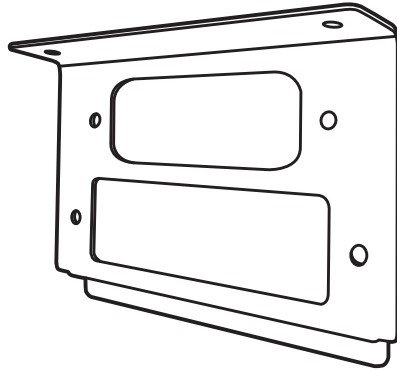


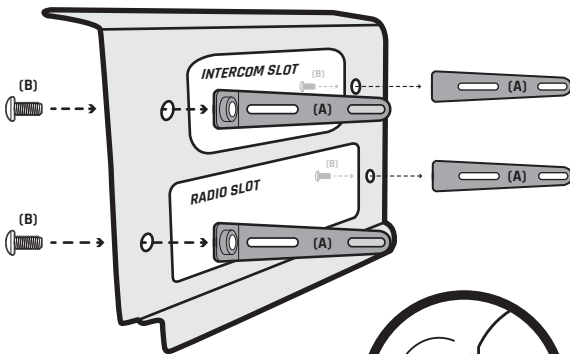
# What's included?

This guide applies to the following mounts: • MT-XP1-RM60 • MT-X3-TM-RM60 • MT-KRX-CM-RM60

Rugged Radio & Intercom Mount  
(Appearance May Vary)

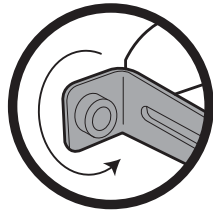


Install L-Brackets using included mounting bolts

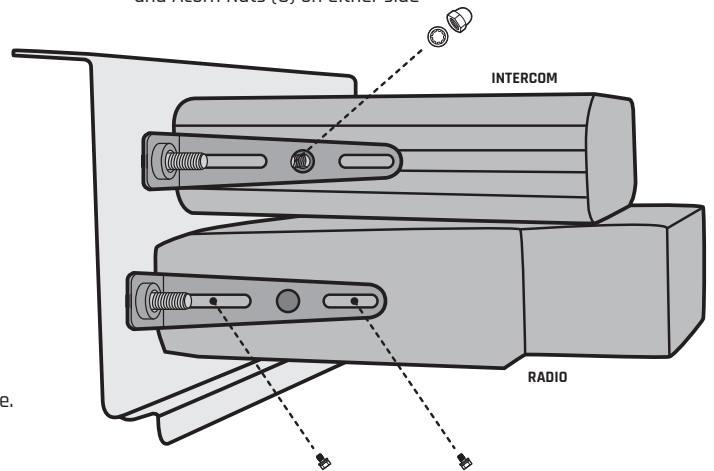


<b>!</b> <b>REQUIRED INSTALL HARDWARE</b>	(C)	(D)	(E)	(F)
	2x M6 1.0 Acorn Nut	2x M6 1.0 Hex Bolt (12mm)	2x Lock Washer	4x M4 0.7 Radio Mounting Bolt

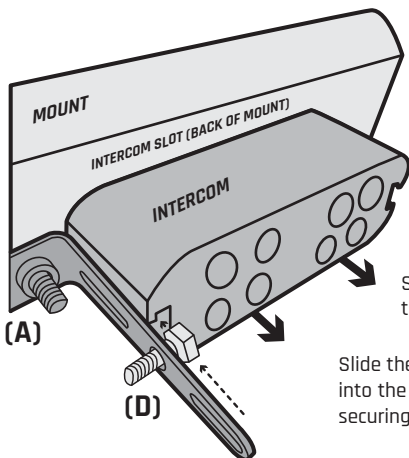
When installing, rotate L-Brackets so that the arm is facing inwards, towards the intercom/radio slots



Secure your intercom with Lock Washers (E) and Acorn Nuts (C) on either side



Secure your radio with Radio Mounting Bolts (F) on either side



Slide your intercom through the front of the intercom mount.

Slide hex bolts (D), facing inward, into the holes in the L-Brackets (A) on either side.

Slide the heads of the hex bolts (D) flush into the slots in either side of the intercom, securing the intercom in place.