





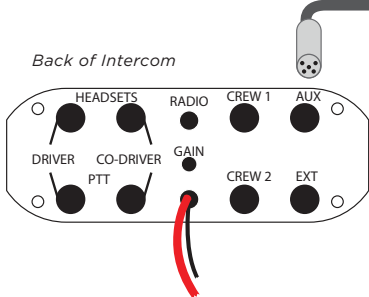
# Connect A Tablet Or GPS To An Intercom

This will push audio from the device into the intercom allowing you to hear the device audio in your headset or helmet kit.




## Find Your Intercom Model:

 **RRP660**  
 **RRP686**  
 **RRP6100**  
 **RRP5100**





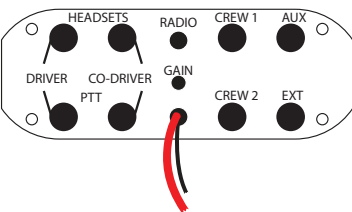
*Back of Intercom*

**CS-MUSIC-REC**  
or  
**CS-MUSIC-6P-XL**




*Tablet or GPS w/ 3.5mm Output*

 **RRP660PLUS**  
 **RRP550PLUS**





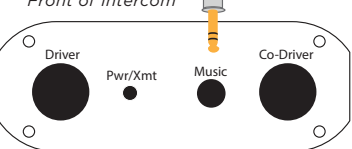
*Back of Intercom*

Pair devices using Bluetooth




*Tablet or GPS w/ 3.5mm Output*

 **RRP5050**  
 **RRP360**





*Front of Intercom*

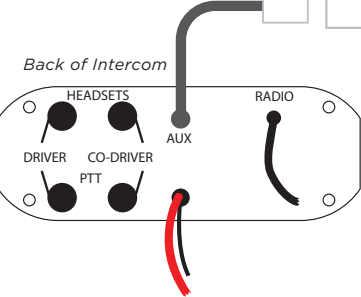
**CS-MUSIC**  
\*If additional length is needed add **CS-MUSIC-EXT**



*Tablet or GPS w/ 3.5mm Output*


 **RRP510**  
 **RRP550**  

(Also works for other intercoms with a molex connection)



*Back of Intercom*

**CS-REC-MOLEX**  
or  
**CS-MUSIC-MOLEX**



*Tablet or GPS w/ 3.5mm Output*

Any questions, please contact Rugged Radios:

**Rugged Radios | 888.541.7223 | www.ruggedradios.com**